



005 Size Flexible Impeller AC Motor Pump Unit

2/99

50005 Series

Bronze Flexible Impeller Pump

Features

- Self primes from dry up to 1.5 metres
- Flows up to 4.5 litres per minute
- Pressure up to 2 bar
- Handles hard or soft solids
- Tolerates abrasive wear
- Non pulsating flow
- Handles viscosities up to 500 centiPoise
- Uses standard IEC motor



Typical Applications

- **Industrial** : Industrial filling systems, utility shop pump, transfer systems, recharge water softeners, sump emptying, cooling tower circulation, line cleaning, heat exchangers, air scrubbers, laboratory circulation, oil changing.
- **Plumbing** : Empty clogged drains, sumps, sinks & tubs, pump out water closets.
- **Contractors** : Cement mixing, wash down equipment, fill & empty tanks, empty basements.
- **Agricultural** : Fill water tanks, flush animal pens, plumbing water for livestock.
- **Food, Beverage & Dairy** : Vending Machines, refrigeration condensate pump out, wash down equipment & floor cleaning.

Specifications

- Seal** : Nitrile lip seal
- Pump Head** : Bronze
- End Cover** : Brass
- Bearings** : Uses motor bearings
- Shafts** : Stainless steel shaft extension
- Ports** : 12.5mm (1/2") Bore hose connections
- Motor Adaptor** : Polypropylene
- Weight** : 6.2kg

Model Options

Impeller option				Neoprene	Nitrile
Temperature range				4°C to 80°C	-5°C to 90°C
Poles	Volts	Amps	RPM		
4	230	2.13	1450		50005-8413
4	115	4.20	1450	50005-8611	
Pump head only					50005-00-8413

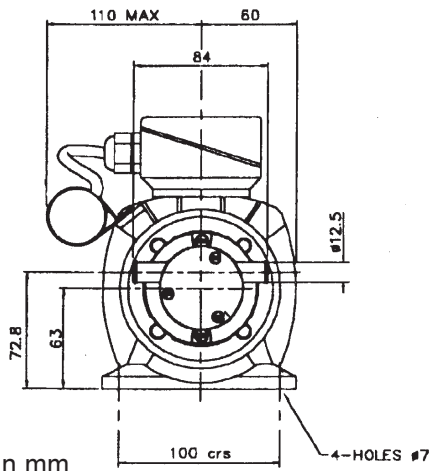
Motors are single phase, 180 Watt, 50 Hertz, AC. Face & Foot mounting B3-B14.
Enclosure IP55, frame size 63 all IEC 72 standard. Fitted with manual reset thermal overload.

Note : it is not recommended to start the pump at extreme ends of the temperature range, impeller damage may occur

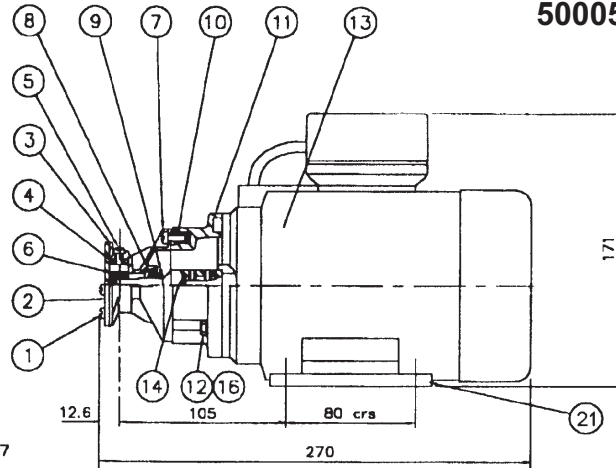
For Installation, Operating, Maintenance and Safety Instructions refer to form 43001-0543

WARNING Explosion hazard. Do not pump gasoline, solvents, thinners or other flammable liquids. To do so can cause an explosion resulting in injury or death.

WARNING Fire hazard. Wiring must comply with applicable electrical standards and include a properly sized fuse or circuit breaker. Improper wiring can cause a fire resulting in injury or death.



50005 Series



Dimensions in mm

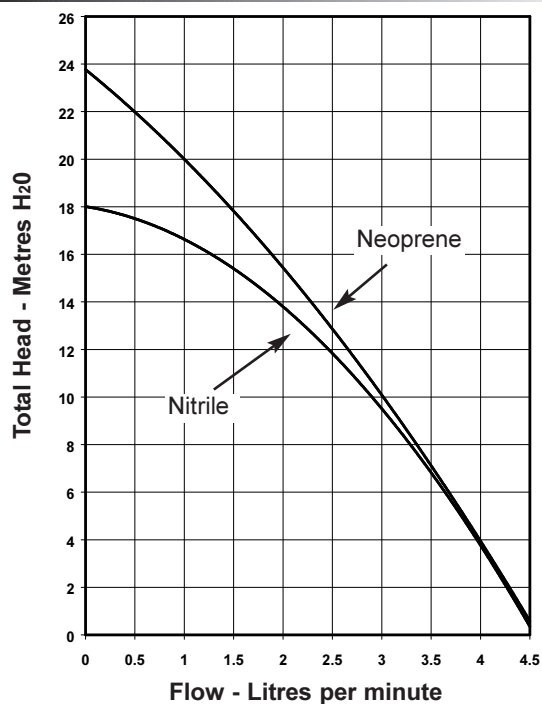
Parts List

Key	Description	Qty	Part Number
1	Screw *	3	SP1002-09
2	Endcover	1	23155-0000
3	Gasket *	1	7828
4	Cam	1	8089
5	Screw	1	SP1002-01
6	Impeller *	1	See below
7	Body	1	23154-1000
8	Lip Seal *	1	SP2701-52
9	Slinger	1	6342
10	Screw - M5 x 12	2	X3001-151F
11	Adaptor	1	50168-0000
12	Screw - M5 x 16	4	X3001-153F
13	Motor 4 Pole 230V	1	SP8012-0260
	Motor 4 Pole 115V	1	98012-9279
14	Shaft Extension Kit	1	50167-0000
16	Washer	4	X3080-081F

Commonly used spare parts & service kit numbers

Elastomers	Neoprene	Nitrile
Impeller key 6	14750-0001	14750-0003
Service kit contains parts shown above	SK374-0013	SK374-0021
Models with Neoprene Impeller use Nitrile Lip Seal		

Performance



Note : Performance shown is for a new pump, pumping water at 20°C, performance may vary by up to 15%. Consult factory for performance of alternative impeller compounds.

Jabsco



ITT Industries

USA

Jabsco
1485 Dale Way
Costa Mesa
CA 92628-2158

Tel : +1 714 545 8251
Fax : +1 714 957 0609

UK

Jabsco
Bingley Road
Hoddesdon
Hertfordshire, EN11 0BU

Tel : +44 (0) 1992 450 145
Fax : +44 (0) 1992 467 132

GERMANY

Jabsco GmbH
Oststraße 28
22844 Norderstedt

Tel : +49 (0) 40 53 53 73 0
Fax : +49 (0) 40 53 53 73 11