



Model 42440-Series

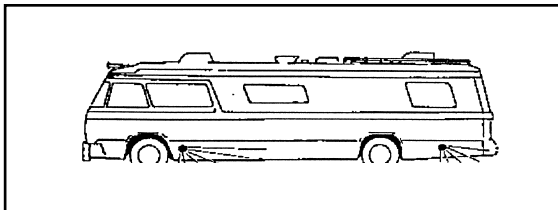
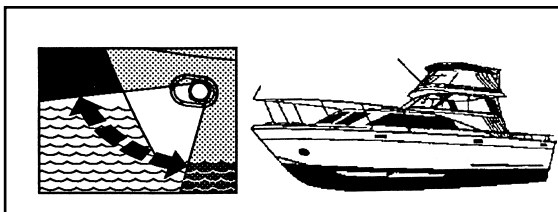
REMOTE CONTROL DOCKING LIGHTS

FEATURES

- **Completely Adjustable**
- **Installs in Most Hull**
- **Remote Control and 20 ft Cable with Easy Plug-in Connections Included**
- **Constructed of Heavy Duty Corrosion Proof Plastic**
- **Sealed Beam Lamps**
- **Retrofits Morse Type "R" Docking Light**

SPECIFICATIONS (PER LIGHT)

- Voltage:** 12 Vdc
Amperage: 7.5 each
Beam Spread: 40° Horizontal
 7° Vertical
Power Rating: 12 Volt – 100 Watts
 24 Volt – 150 Watts



MODEL 42440-Series

Jabsco's remote control adjustable docking lights are ideal for run-abouts and cruisers that enjoy night time boating.

These docking lights are flush mounting units, designed to become an integral part of the hull for general illumination below the deckline.

Jabsco RC docking lights make night time boating safer than ever before.

RV'ers - These remote control docking lights are also ideal for today's luxury motor homes. Adjustable beam illuminates the right area for those tough parking situations. Easy to install - neat, tight fit blends with contour of vehicle.

MODEL NO.	VOLTS DC	AMPS	WEIGHT lb (kg)	STANDARD Carton
42440-0000	12	7.5 (each)	9 (4.1)	1 pair
42440-0024	24	4.0 (each)	9 (4.1)	1 pair

INSTALLATION INSTRUCTIONS

LIGHT MOUNTING

Determine location on boat hull, back from the bow, where lights are to be mounted. NOTE: Do not allow boat registration numbers to influence location of lights. The numbers can be relocated at any convenient location.

1. Tape the template horizontally on hull at desired location.
2. Check inside hull for obstructions or anything that might be damaged by cutting hole.
3. Cut hole per template.
NOTE: DO NOT USE LIGHT AS DRILL JIG, AS DRILL MAY DAMAGE LIGHT.
4. Apply sealing compound to light flange and mount light. Tighten screws by giving each a few turns to pull flange evenly to hull. Compound should squeeze out all around the flange. Do not overtighten screws - wipe off excess compound.

CONTROL MOUNTING

Select a location near the helm which will allow for convenient operation of control. Unit may be mounted on vertical, horizontal or inclined panel.

1. Cut 2-5/8" (67 mm) diameter hole in flat surface where control is to be mounted.
2. Route 16 gauge (minimum) power leads from voltage source to control. Crimp terminals (supplied) onto power leads. NOTE: Larger terminal is crimped to positive lead - smaller terminal to negative lead.
3. Insert Y-adaptor cable and power leads thru back of hole and plug into control.
4. Use sealant to waterproof control mounting.
5. Secure control with mounting screws provided.

CIRCUIT PROTECTION

Two (2) automotive type fuses are located on control. Each (10 amp) fuse protects one docking light.

HORIZONTAL BEAM ADJUSTMENT

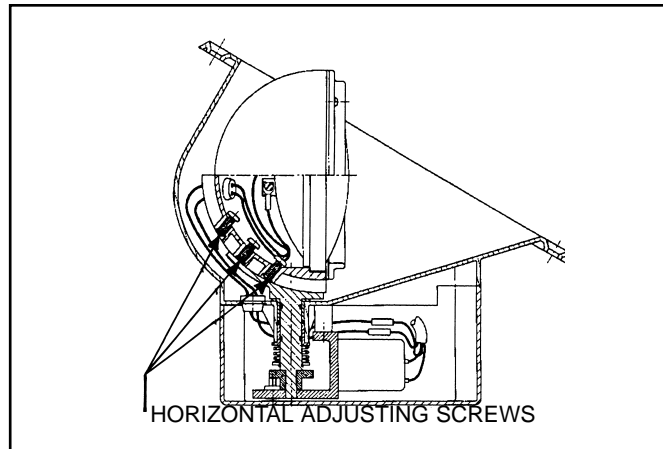
The Jabsco docking lights are remote controlled vertically. Horizontal beam adjust can be made at time of installation.

Proper adjustment will provide an even band of light dead ahead. Note: Lights beam patterns should come together or have a small dark area directly in front of boat (see diagram).

1. Remove bulb by removing four (4) screws, gasket, retainer and bulb wires.
2. Loosen the three (3) small set screws in the rear of the bulb housing, but do not remove them. Adjust the housing horizontally to desired angle. Ten degrees outward from bow centerline is recommended.
3. Retighten the three (3) set screws in the rear of the bulb housing (see diagram) and replace bulb, gasket, retainer, bulb wires and four (4) screws.
NOTE: Depending on the angle set only two (2) of the adjusting screws may contact the housing.

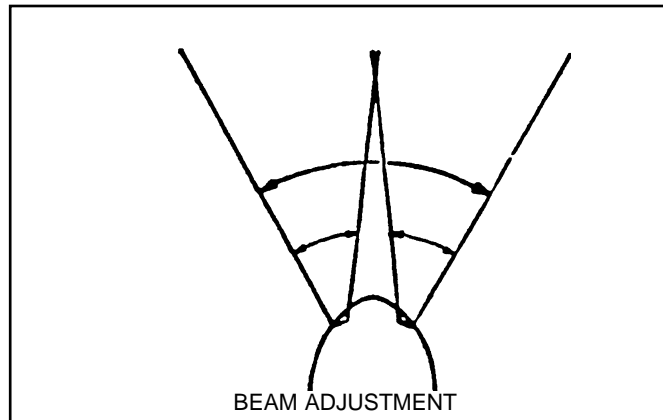
NOTICE: When using lights, don't shine them at oncoming boats. Turn off one light, if necessary, and use the other for illumination.

⚠ DANGER Be careful not to cross thread self tapping screws. Rotate screw counterclockwise until you feel threads line up before threading into hole. Screw should enter hole easily. Lettering on front of lens must be upright so beam pattern will be horizontal.



CABLE INSTALLATION

Plug each 20' cable into Y-adaptor and string cables thru bulkheads, walls, etc. to each light. Note: Secure cable to protect insulation at points of stress, and leave adequate slack where cable must be flexible.



BULB REPLACEMENT

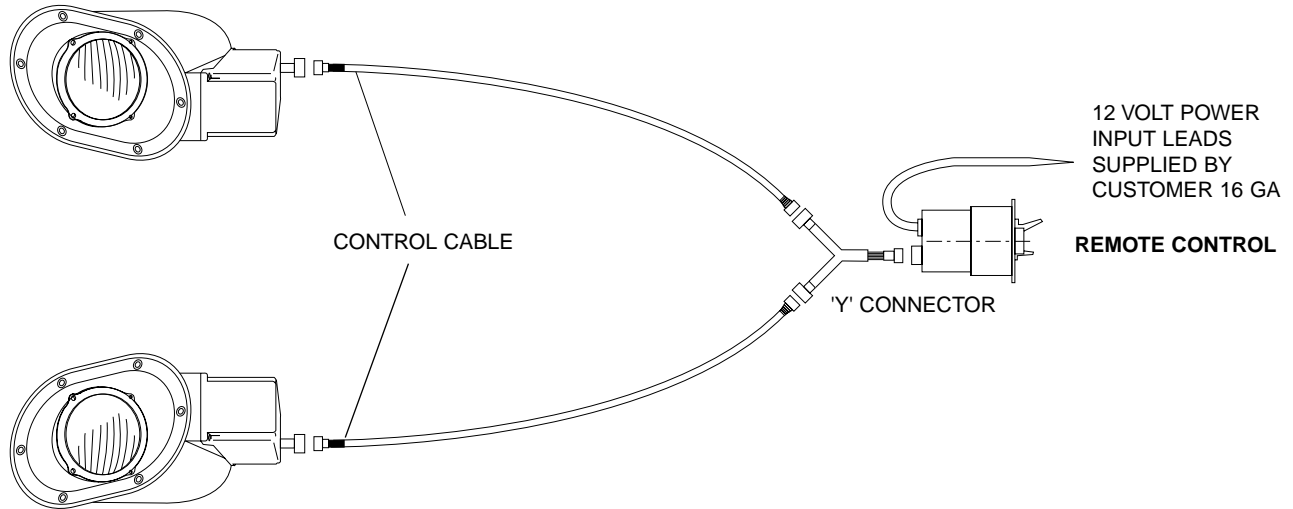
(Note bulb position before removing to aid in positioning of new bulb.)

1. To replace bulb, remove bulb retainer by removing four Philips head screws.
2. Pull bulb away from housing and disconnect the two wire terminals from bulb.
3. Connect wire terminals to new bulb and reinstall bulb into housing.
4. Reinstall bulb retainer and four screws previously removed.

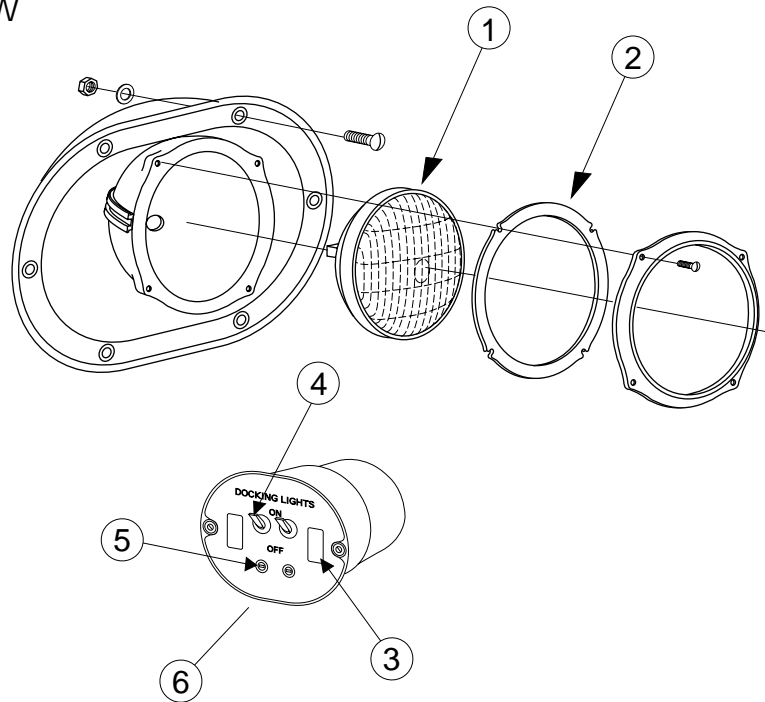
⚠ DANGER Be careful not to cross thread self tapping screws. Rotate screw counterclockwise until you feel threads line up before threading into hole. Screw should enter hole easily.

Note: Lettering on front of lens must be upright so beam pattern will be horizontal.

WIRING DIAGRAM



EXPLODED VIEW



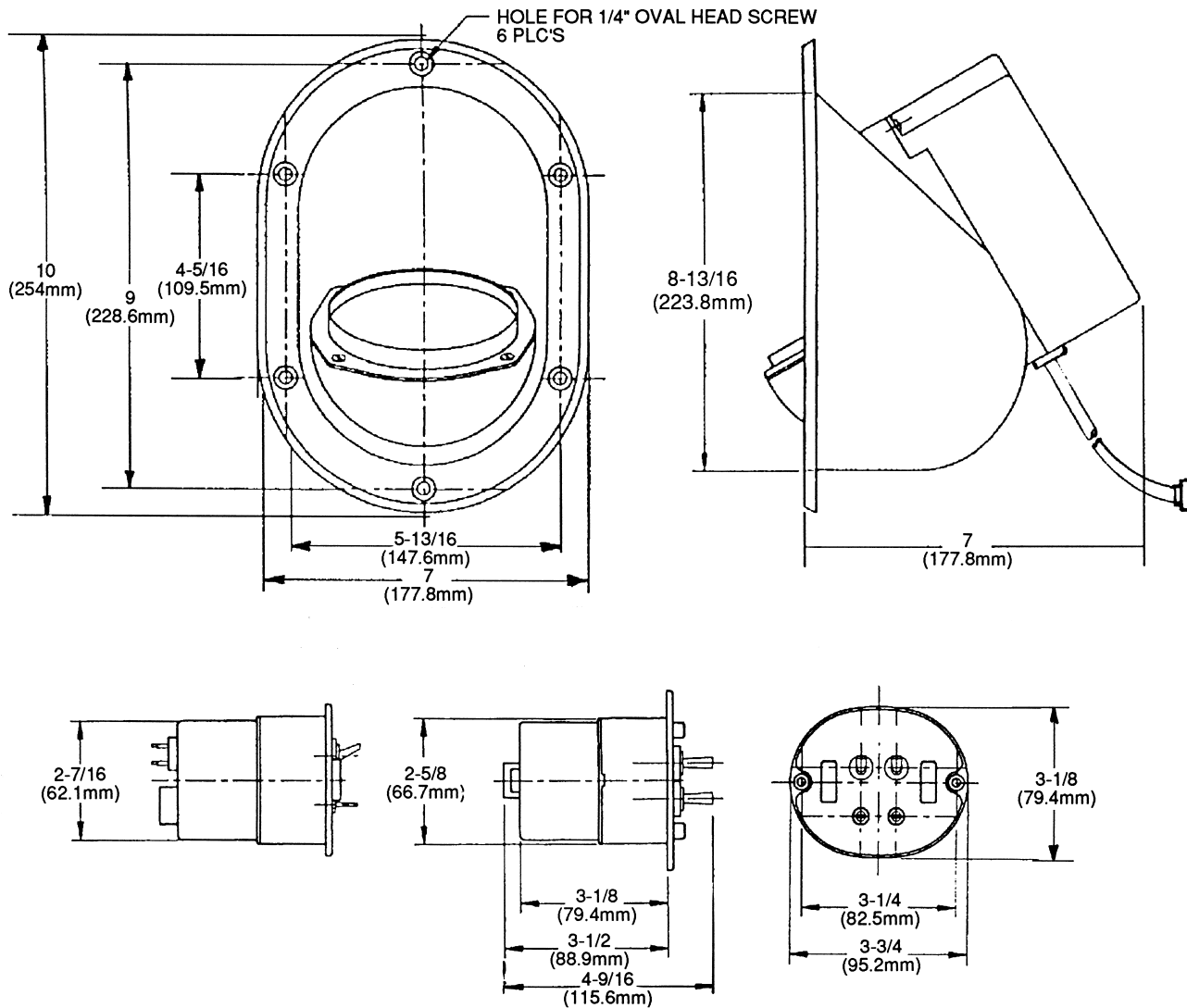
PARTS LIST

KEY	DESCRIPTION	PART NUMBER	QTY.
1	Bulb 12 Volt 24 Volt	18753-0287 18753-0462	1
2	Gasket	18753-0292	1
3	Fuse/Cap Kit	18753-0291	1
4	On/Off Switch	18753-0293	1
5	Directional Switch	18753-0294	1
6	Control Complete (12V)	18573-0433	1
7	* Extension Cable 20' †	18753-0288	1
8	* Extension Cable 10' †	18753-0289	1
9	* Y-Connector	18753-0290	1
10	Replacement Motor Kit	18753-0460	1
11	* Dual Station Control Kit 12V/24V (with 10 foot cable)	18753-0439	1

* Not shown

† Extension cable to be used between the Y-Connector and remote control

DIMENSIONAL DRAWINGS



Jabsco



ITT Industries
Engineered for life



THE PRODUCTS DESCRIBED HEREIN ARE SUBJECT TO THE JABSCO ONE YEAR LIMITED WARRANTY, WHICH IS AVAILABLE FOR YOUR INSPECTION UPON REQUEST.

U.S.A.
ITT Jabsco
1485 Dale Way, P.O. Box 2158
Costa Mesa, CA 92628-2158
Tel: (714) 545-8251
Fax: (714) 957-0609

UNITED KINGDOM
ITT Jabsco
Bingley Road, Hoddesdon
Hertfordshire EN11 OBU
Tel: +44 (0) 1992 450145
Fax: +44 (0) 1992 467132

CANADA
ITT Fluid Products
55 Royal Road
Guelph, Ontario N1H 1T1
Tel: (519) 821-1900
Fax: (519) 821-2569

JAPAN
NHK Jabsco Company Ltd.
3-21-10, Shin-Yokohama
Kohoku-Ku, Yokohama, 222
Tel: 045-4758906
Fax: 045-475-8908

GERMANY
Jabsco GmbH
Oststrasse 28
22844 Norderstedt
Tel: +49-40-53 53 73 -0
Fax: +49-40-53 53 73 -11