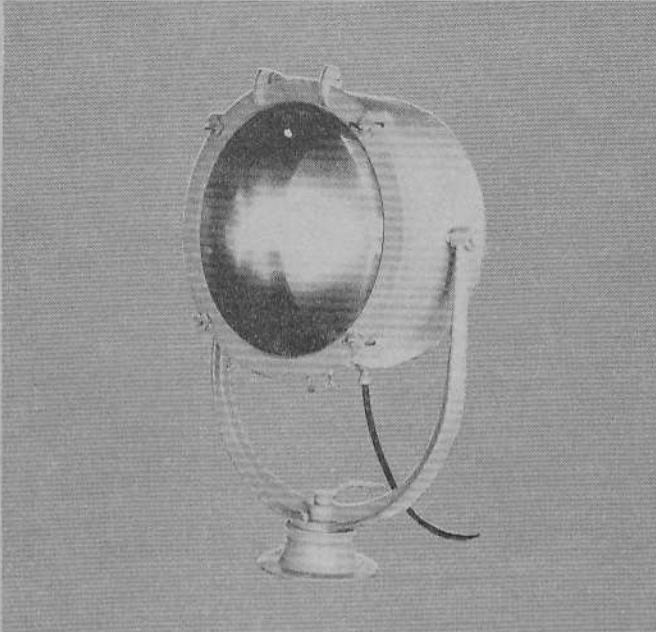


20" Diameter
MODEL 42000-0080
Deck Mount
PRODUCT DATA

MODEL 42000-0080 DECK MOUNT



FEATURES

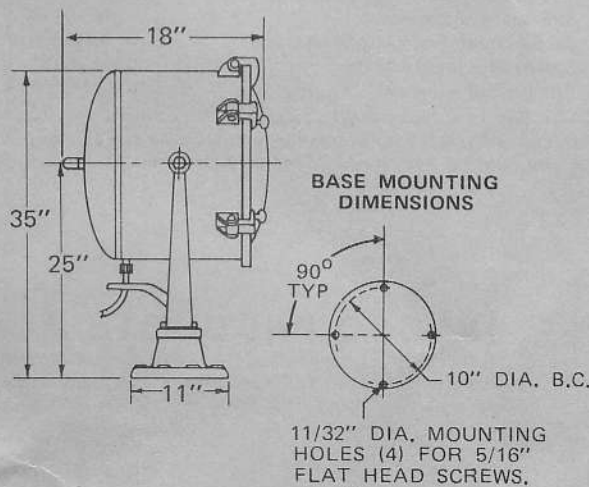
- Corrosion-resistant cast aluminum construction.
- Gray marine lacquer finish over zinc-chromate primer.
- Weatherproof drum.
- Heat-resistant tempered convex lens set in asbestos gasket with sealing compound.
- Full horizontal and vertical sweep.
- Horizontal locking device.
- Mogul screw bulb socket base.
- Precision-formed tempered mirror reflector.
- Auxiliary reflector for beam efficiency.
- External focusing device.
- Hinged door for ease of relamping.
- Rubber covered wiring cable with watertight fitting.
- Shipping weight: approximately 180 lbs.

BULB SELECTION DATA

Mogul Screw Bulb Number	Voltage	Wattage	Rated Service Life (Hours)	Bulb Code
98039-0500	115	1000	50	DPT
98039-0490	115	1500	25	DTC

Light is supplied less bulb. See Bulb Selection Data.

DIMENSIONAL DRAWING



INSTALLATION AND MAINTENANCE

INSTALLATION INSTRUCTIONS: Searchlight should be mounted so base is level. Fasten base to deck with (4) 5/16" diameter bolts or screws. Check that all bolts and set screws on the searchlight are tightened properly.

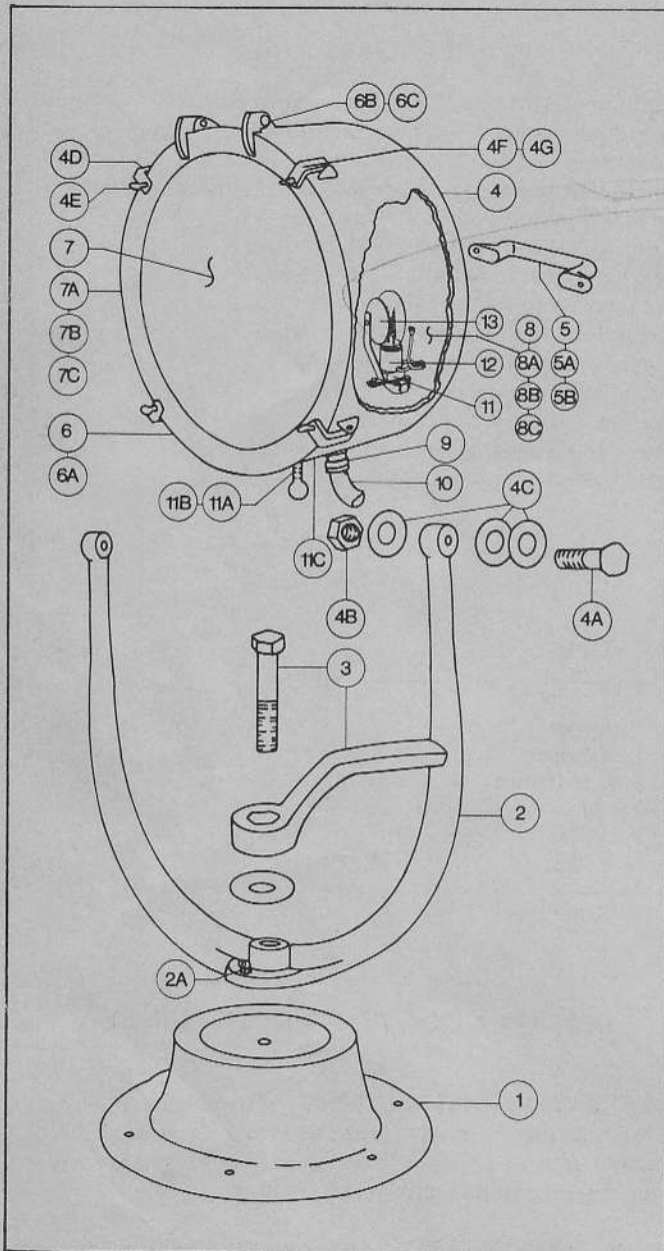
WIRING INSTRUCTIONS: Use stranded copper wire. For 110 volt applications, use No. 14 gauge wire for up to 75' from power source. For lengths greater than 75', a heavier gauge wire should be used. Connect green wire to ground. Wire should be fused for 15 amps.

JABSCO PRODUCTS **ITT**

INSTALLATION AND MAINTENANCE (CONT'D.)

RELAMPING AND FOCUSING: Loosen thumbscrews (Key 4E) and move dogs away to open door. Unscrew and remove bulb. Clean mirror and auxiliary reflector with a soft, lint-free cloth. Install new bulb. Close and tighten door. Adjust focusing with thumbscrew (Key 11A) for desired beam width.

MAINTENANCE: Clean the bulb, lens, auxiliary reflector, and main reflector with a soft, lint-free cloth for best efficiency. Lubricate with all-weather grease at grease fitting. Carefully check all set screws and bolts for proper tightness.



PARTS LIST

Key	Description	Part No.	Qty.
1	Base	42029-0000	1
2	Trunnion	42046-0010	1
2A	Grease fitting for trunnion	91501-0060	1
3	Locking assembly (includes bolt & handle for horizontal tension)	43281-0000	1
4	Housing	42034-0010	1
4A	Bolt for mounting housing to trunnion	91095-0780	2
4B	Nut for mounting housing to trunnion	91085-0750	4
4C	Washer for mounting housing to trunnion	91613-0620	6
4D	Dogs for clamping door	41645-0010	4
4E	Thumbscrew for dogs	92851-0130	4
4F	Dog hinge pins	91113-0020	4
4G	Pal clips for dog hinge pins	91110-0030	4
5	Control handle	41717-0000	1
5A	Bolt for mounting handle	96050-0160	2
5B	Washer for mounting handle	91613-0400	2
6	Door (frame only/less lens)	42043-0000	1
6A	Gasket for door	43220-0030	1
6B	Door hinge pins	91113-0040	2
6C	Pal clips for door hinge pins	35827-0000	2
7	Lens	98044-0110	1
7A	Clips for mounting lens	41649-0000	6
7B	Bolts for mounting lens	96050-0180	6
7C	Gasket for lens	43220-0020	1
8	Mirror reflector (main)	42062-0000	1
8A	Clips for mounting mirror	41642-0000	6
8B	Pads for mirror clips	43223-0000	12
8C	Bolts for mirror clips	96050-0120	6
9	Wire entrance fitting	98045-0030	1
10	Wire harness and cord (includes terminals)	41663-0000	1
11	Focusing assembly (complete with socket, auxiliary reflector & base)	43218-0000	1
11A	Thumbscrew for focusing assembly	92851-0100	2
11B	Jam nut for thumbscrew	91085-0140	2
11C	Bolt for mounting focusing assembly	91095-0320	2
12	Socket only (mogul screw)	98041-0280	1
13	Auxiliary reflector only	42057-0000	1

Items in Parts List with lettered key numbers are supporting hardware to the basic part number (i.e. key numbers 7A, 7B and 7C should be ordered with the lens, key 7).

JABSCO PRODUCTS **ITT**

Marine and Recreation Components Division
International Telephone and Telegraph Corporation
1485 Dale Way, Costa Mesa, California 92626

Telephone: (714) 545-8251