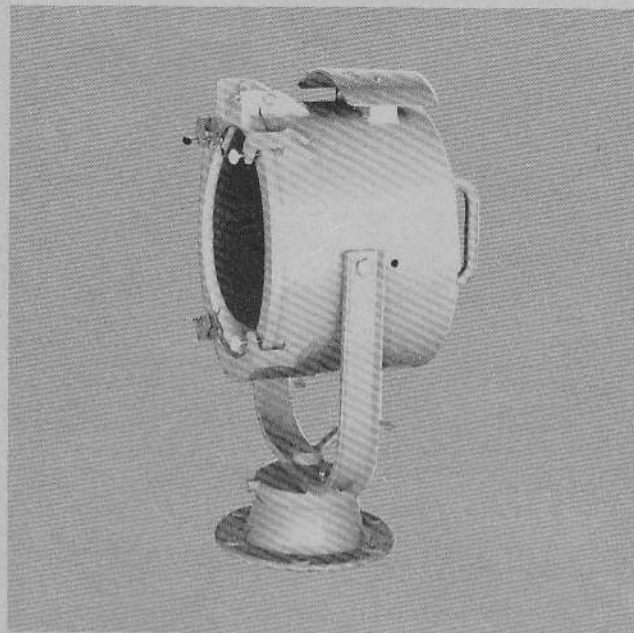


**RAY-LINE®**  
MARINE SEARCHLIGHTS

# 14" Diameter MODEL 41600-0010 Deck Mount

PRODUCT DATA



## FEATURES

- Corrosion-resistant cast aluminum construction.
- Gray marine lacquer finish over zinc-chromate primer.
- Vented weatherproof drum.
- Heat-resistant tempered convex lens set in asbestos gasket and sealing compound.
- Full horizontal and vertical sweep.
- Horizontal and vertical locking device.
- Medium pre-focus bulb socket.
- Precision-formed tempered mirror reflector.
- Auxiliary reflector for beam efficiency.
- External focusing device.
- Hinged door for ease of relamping.
- Rubber covered wiring cable with watertight fitting.
- Shipping weight: approximately 45 lbs.

Meets U.S. Coast Guard requirements (CG-293)

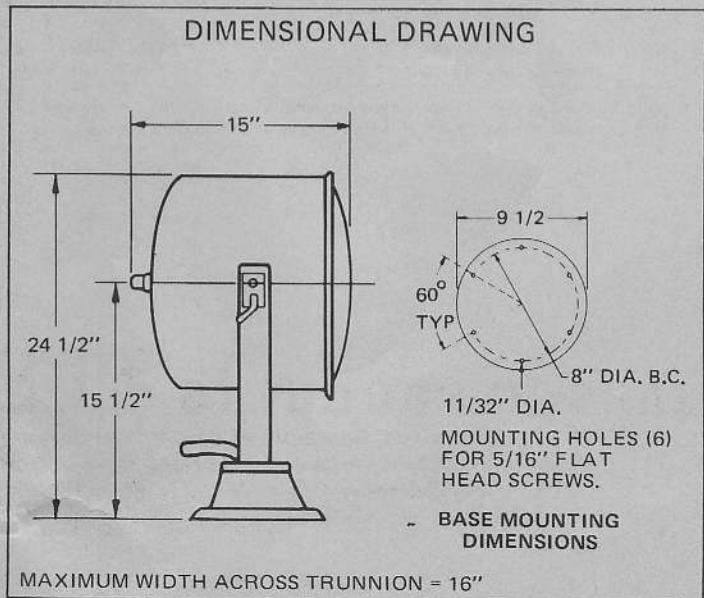
MODEL 41600-0010 DECK MOUNT

## BULB SELECTION DATA

Medium Prefocus Bulb Number	Voltage	Wattage	Rated Service Life (hours)	Bulb Code
98039-0030	115	500	50	DMX
98039-0140	115	750	25	DPJ
98039-0410	115	1000	50	DRC
98039-0150	115	1000	25	DRS

Light is supplied less bulb.

## DIMENSIONAL DRAWING



## INSTALLATION AND MAINTENANCE

**INSTALLATION INSTRUCTIONS:** Searchlight should be mounted so base is level. Fasten base to deck using (6) 5/16" bolts or screws. Check that all bolts and set screws on the searchlight are tightened properly.

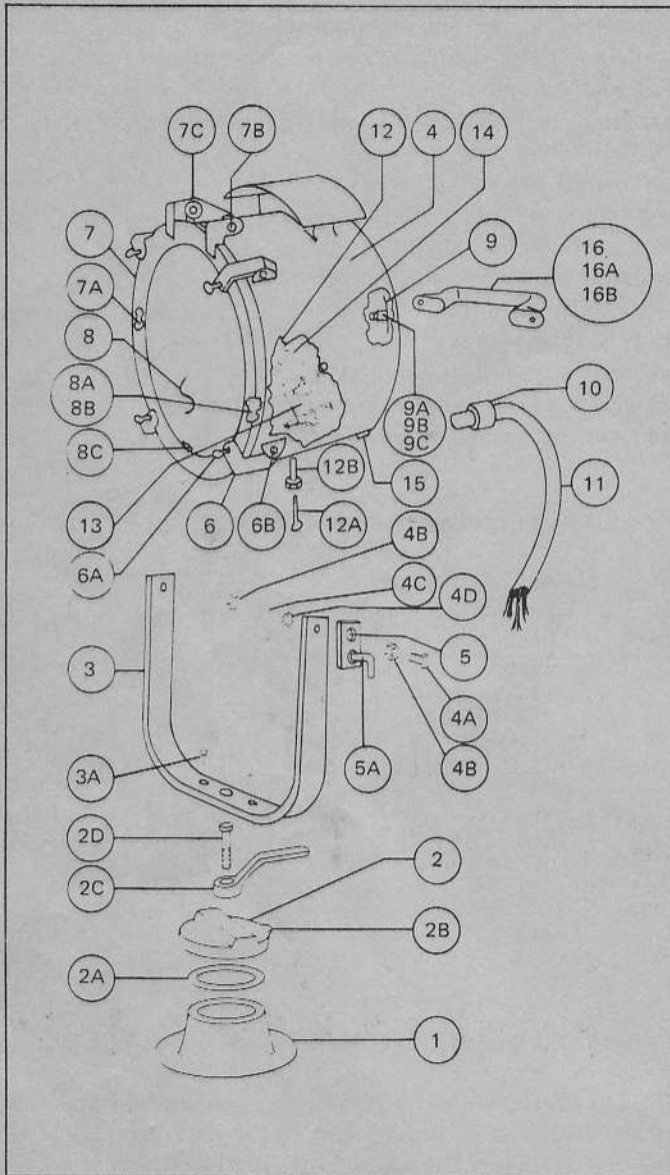
**WIRING INSTRUCTIONS:** Use stranded copper wire. For 115 volt applications, use No. 14 gauge wire for up to 75' from power source. For lengths greater than 75', a heavier gauge wire should be used. Wire should be fused for 15 amps.

**JABSCO PRODUCTS** **ITT**

## INSTALLATION AND MAINTENANCE (Cont'd.)

**RELAMPING AND FOCUSING:** Loosen thumbscrews (Key 6A) and move dogs away to open door. Remove bulb by pushing in and turning counter-clockwise. Clean the mirror and auxiliary reflector with a soft, lint-free cloth. Install new bulb by pushing in and turning clockwise to lock. Close and tighten door. Adjust focusing with thumbscrew (Key 12A) for desired beam width.

**MAINTENANCE:** Clean the bulb, lens, auxiliary reflector, and main reflector periodically with a soft, lint-free cloth for best efficiency. Lubricate with all-weather grease at grease fitting. Carefully check all set screws and bolts for proper tightness.



## PARTS LIST

Key	Description	Part No.	Qty.
1	Base	41714-0000	1
2	Trunnion adapter	41684-0010	1
2A	Fibre washer for trunnion adapter	96010-0140	1
2B	Grease fitting for trunnion adapter	91501-0060	1
2C	Locking handle	41716-0000	1
2D	Bolt for locking handle	91095-0770	1
3	Horizontal trunnion	41667-0010	1
3A	Bolts for mounting horizontal trunnion	96050-0160	2
4	Housing	41637-0010	1
4A	Bolt for mounting housing to horizontal trunnion	91094-0950	2
4B	Nut for mounting housing to horizontal trunnion	91085-0620	4
4C	Flat washer for mounting housing to horizontal trunnion	91613-0740	2
4D	Star washer for mounting housing to horizontal trunnion	91613-0730	2
5	Vertical locking plate	41664-0000	1
5A	Vertical locking bolt	41681-0000	1
6	Dogs for clamping door	41645-0010	4
6A	Thumbscrew for dogs	92851-0130	4
6B	Dog hinge pins	91113-0020	4
7	Door (frame only/less lens)	41635-0000	1
7A	Gasket for door	43220-0010	1
7B	Door hinge pins	91113-0040	2
7C	Pal clips for hinge pins	35827-0000	2
8	Lens	41636-0000	1
8A	Clips for mounting lens	41649-0000	4
8B	Bolts for mounting lens	96050-0180	4
8C	Gasket for lens	43220-0000	1
9	Mirror reflector	41638-0000	1
9A	Clips for mounting mirror	41642-0000	3
9B	Pads for mirror clips	43223-0000	3
9C	Bolts for mirror clips	96050-0120	3
10	Wire entrance fitting	98045-0030	1
11	Wire harness & cord (includes terminals & heat shields)	41663-0000	1
12	Focusing assembly (complete with socket, auxiliary reflector & base)	43199-0000	1
12A	Thumbscrew for focusing assembly	92851-0070	1
12B	Bolt for mounting focusing assembly	91095-0320	1
13	Socket only	98041-0030	1
14	Auxiliary reflector only	41639-0000	1
15	Vent screens for bottom of housing	41650-0000	4
16	Control handle	41717-0000	1
16A	Bolt for control handle.	96050-0160	2
16B	Washer for coated handle	91613-0400	2

Items in Parts List with lettered key numbers are supporting hardware to the basic part 16 (i.e. key numbers 8A, 8B and 8C should be ordered with the lens, Key 8).

# JABSCO PRODUCTS ITT

Marine and Recreation Components Division  
International Telephone and Telegraph Corporation  
1485 Dale Way, Costa Mesa, California 92626

Telephone: (714) 545-8251