

**RAY-LINE®**  
MARINE SEARCHLIGHTS

# 6 1/2" Diameter MODEL 40880-Series Work Light

PRODUCT DATA



## FEATURES

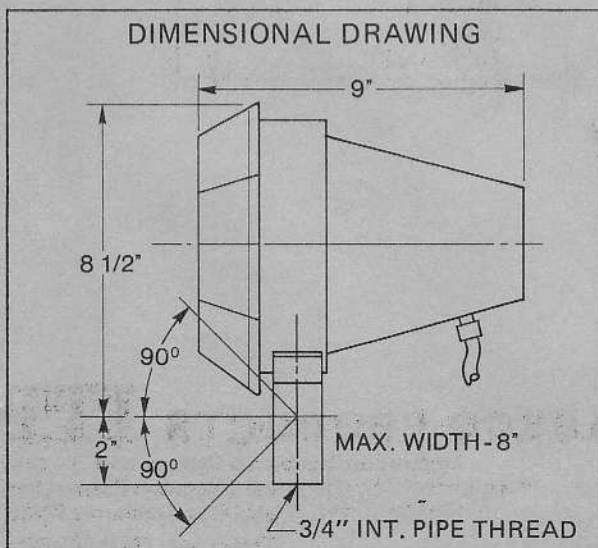
- All weather design-complete non-ferrous construction.
- Rugged, compact design.
- Sealed beam bulb and protective outer lens.
- Stainless steel lens guard.
- Horizontal and vertical adjustment.
- Includes 4-foot wire lead.
- U.L. listed outside type (saltwater).
- Optional universal mounting bracket for horizontal or vertical mount on railings or pipe, 3/4" to 1 1/4" pipe size.

MODEL - 40880 SERIES



## STANDARD MODELS

Model Number	Voltage	Amperage	Bulb Number	Bulb Type	Beam Type	Rated Life Hours
40880-0000	32	7.1	98040-0110	200 Watt Incandescent	Narrow Spot	500
40880-0010	120	2.5	98040-0120	300 Watt Incandescent	Narrow Spot	2000
40880-0050	120	4.2	98040-0160	500 Watt Quartz Iodine	Medium Flood	4000



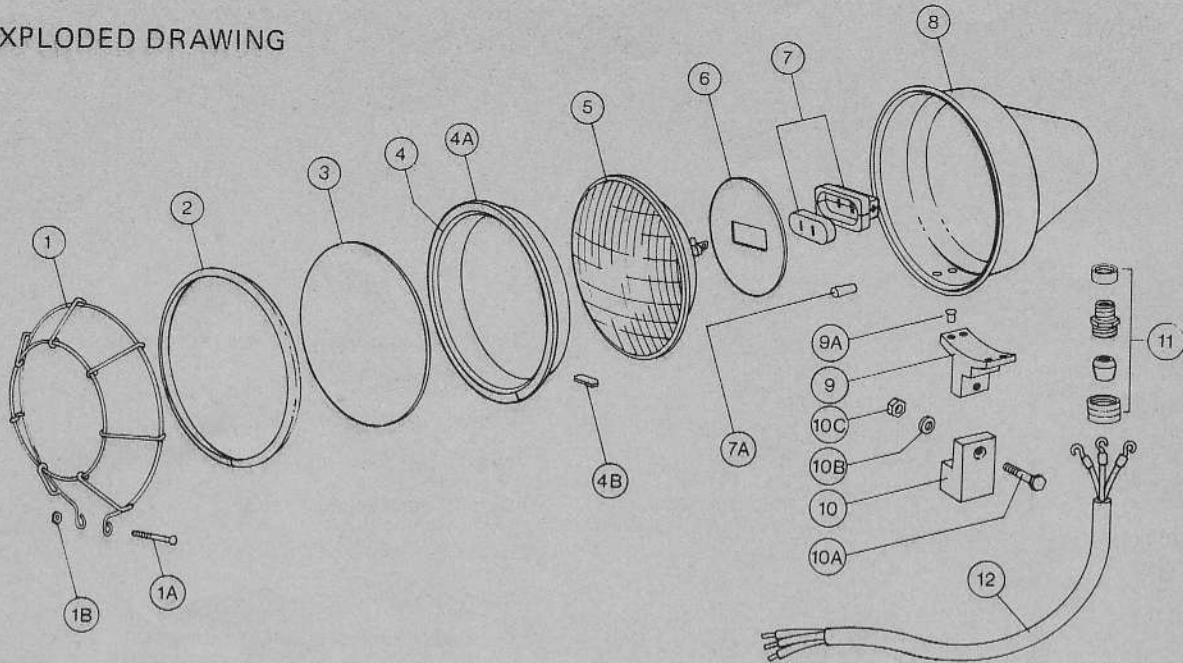
## INSTALLATION INSTRUCTIONS AND MAINTENANCE

**INSTALLATION:** Thread mounting bracket onto 3/4" pipe. Optional mounting bracket available for mounting on 3/4" to 1 1/4" pipe railings (see above). Wire to specified voltage using green wire for ground. Adjust light to desired position and tighten mounting bolt.

**BULB REPLACEMENT:** Remove lens shield (Key 1), lens ring (Key 2), lens (Key 3), and bulb retainer (Key 4). Remove and replace bulb. Replace bulb retainer with the four shock pads (Key 4B) evenly spaced. Reassemble lens, lens ring, and shield. Tighten bolt on shield (Key 1A).

**JABSCO PRODUCTS** **ITT**

EXPLODED DRAWING



PARTS LIST

KEY	DESCRIPTION	PART NUMBER	QTY.
1	Lens Shield	40884-0000	1
1A	Bolt for Shield	91041-0070	1
1B	Nut for Shield	91085-0030	1
2	Lens Ring	40885-0000	1
3	Lens	98044-0060	1
4	Bulb Retainer	40887-0000	1
4A	Gasket for Bulb Retainer	40829-0020	1
4B	Shock Pads for Rear of Bulb Retainer	40829-0030	4
5	Bulb (See bulb data on front)		
6	Insulator	40946-0000	1
7	Bulb Socket with 6" Insulated Lead Wires	43284-0000	1
7A	Wire Nut	93014-0020	2
8	Housing	40881-0000	1
9	Mounting Bracket	40882-0000	1
9A	Bolts for Mounting Bracket	91041-0010	4
10	Mounting Base	40883-0000	1
10A	Bolt for Mounting Base	91095-0680	1
10B	Lockwasher for Mounting Base	91613-0290	1
10C	Nut for Mounting Base	91085-0600	1
11	Cord Entrance Fitting-includes jam nut	98045-0140	1
12	Cord	43283-0000	1

Items in Parts List with lettered key numbers are supporting hardware to the basic part number (i.e. Key numbers 1A and 1B should be ordered with the lens shield (Key 1).

**JABSCO PRODUCTS ITT**

Marine and Recreation Components Division  
International Telephone and Telegraph Corporation  
1485 Dale Way, Costa Mesa, California 92626

Telephone: (714) 545-8251