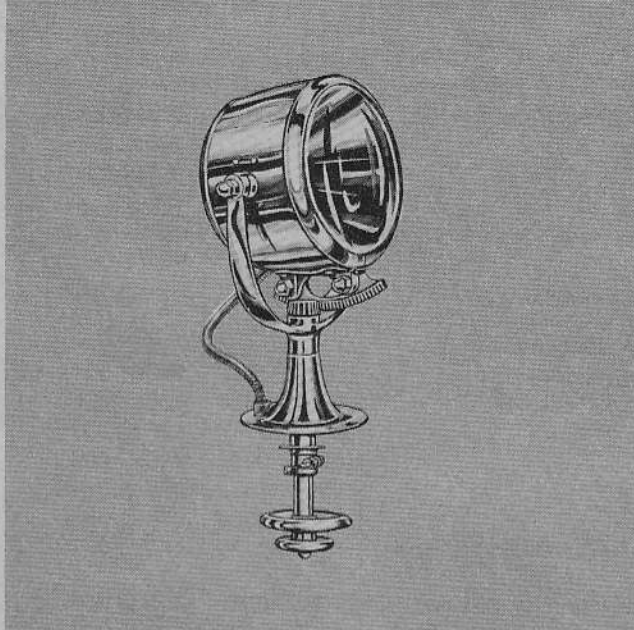


# 8" Diameter MODEL 40833-Series Wheel Control

PRODUCT DATA



## FEATURES

- Heavy-gauge copper, brass, and bronze construction.
- High quality heavy nickel-chrome finish or tough baked enamel paint finish.
- Heat resistant, tempered convex lens.
- Escutcheon plate covers and finishes clearance hole in cabin ceiling.
- Double wheel for smooth and accurate beam control.
- 285° horizontal sweep and 50° vertical motion.
- Horizontal locking device.
- Double contact bayonet-type projector bulb.
- Precision formed polished chrome parabolic reflector.
- External focusing for spot or flood beam.
- Rubber covered wiring cable enclosed in weatherproof flexible conduit.
- Approximate shipping weight: 29 lbs.

MODEL 40833-SERIES WHEEL CONTROL

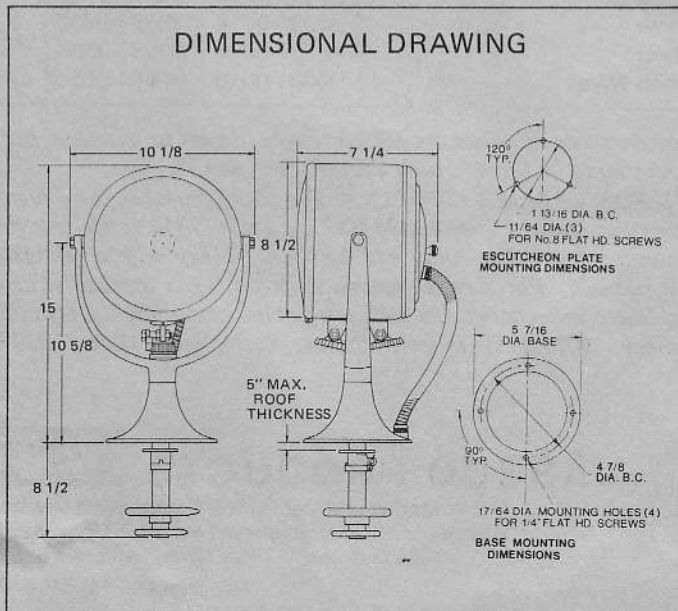
Model Number	Finish	Voltage	Amperage	Bulb Number	Rod Length Below Base
40833-0120	Chrome	12	5½	98039-0020	8½"
40833-0240	Chrome	24	4	98039-0050	8½"
40833-0360	Chrome	32	3½	98039-0060	8½"
40833-0200	Gray	12	5½	98039-0020	8½"
40833-0440	Gray	32	3½	98039-0060	8½"

## INSTALLATION AND MAINTENANCE

**INSTALLATION INSTRUCTIONS:** Searchlight should be mounted so base is level. Drill 1" clearance hole through roof for outside control rod. Drill ½" hole for wiring directly behind and next to control rod hole. Loosen set screws (Keys 18A, 19A) and remove large and small control wheels (Keys 18, 19). Loosen screws (Keys 16A, 17A) and remove stop collar (Key 17) and escutcheon plate (Key 16) from control rod. Mount light in place, feeding wire through ½" hole. After putting sealing compound under base, fasten to roof with conduit fitting facing aft. Replace escutcheon plate and mount to ceiling with split in plate facing aft. Replace stop collar and tighten set screw for rotation stop. Replace control wheels.

**WIRING INSTRUCTIONS:** Use stranded copper wire. For 12 volt models, use 12 gauge wire for up to 35' from power source. For 32 volt models, use 16 gauge wire for up to 50' from power source. For distances greater than specified, a heavier gauge wire should be used.

## DIMENSIONAL DRAWING

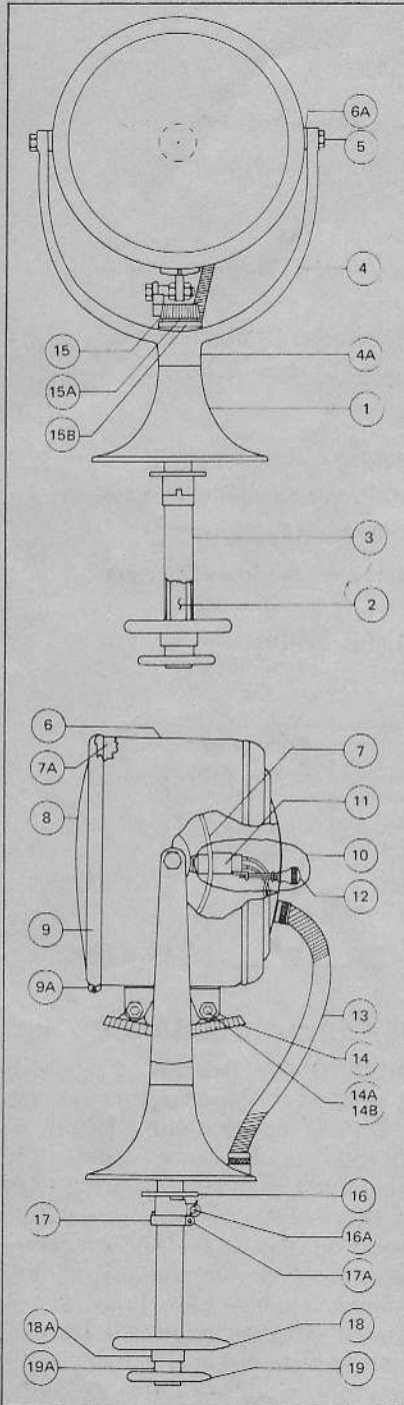


## INSTALLATION AND MAINTENANCE (CONT'D.)

**RELAMPING AND FOCUSING:** Remove lens clamp (Key 9), lens (Key 8), and remove bulb by pushing in and turning counter-clockwise. Install new bulb. Replace lens and lens clamp. Adjust focusing knob for desired beam width.

**MAINTENANCE:** Clean the bulb, reflector and lens periodically with a soft, lint-free cloth for best efficiency. Apply a coating of all-weather grease to moving parts as needed.

## PARTS LIST



Key	Part Description	Part Numbers		
		Gray Models	Chrome Models	Qty.
1	Base (includes male connector for conduit)	40812-0020	40812-0000	1
2	Inside Control Rod	40823-0000	40823-0000	1
3	Outside Control Rod	40412-0000	40412-0010	1
4	Trunnion	40814-0010	40814-0000	1
*4A	Set Screw for Trunnion	96091-0010	96091-0010	2
*5	Mounting Bolts	43265-0000	43265-0010	2
*6	Housing Assembly (includes brace rack for mounting quadrant gear, trunnion mounts, and male connector for conduit)	40838-0000	40838-0020	1
*6A	Set Screw for Housing Assembly	96091-0010	96091-0010	2
*7	Reflector (includes socket sleeve)	40548-0000	40548-0000	1
*7A	Cork Gasket	96010-0110	96010-0110	1
*8	Lens	98044-0060	98044-0060	1
*9	Lens Clamp	40834-0020	40834-0000	1
*9A	Bolt for Lens Clamp	91001-0080	91001-0060	1
*10	Socket and Focusing Device (includes wire through base)	43395-0020	43395-0030	1
*11	Socket Only (includes wire through base)	40568-0000	40568-0000	1
*12	Focusing Device Only (includes knob, shank, washer, and locknut)	43235-0020	43235-0030	1
*13	Conduit (includes female connectors)	40518-0010	40518-0020	1
*14	Quadrant Gear	40819-0010	40819-0000	1
*14A	Bolt for Quadrant Gear	43264-0000	43264-0010	2
*14B	Nut for Quadrant Gear	43252-0000	43252-0010	4
*15	Pinion Gear	40821-0010	40821-0000	1
*15A	Set Screws for Pinion Gear	96091-0020	96091-0020	2
*15B	Thrust Washer for Pinion Gear	43190-0010	43190-0010	1
16	Escutcheon Plate	40534-0030	40534-0020	1
*16A	Bolt for Escutcheon Plate	40517-0000	40517-0010	1
17	Stop Collar	40520-0030	40520-0020	1
*17A	Bolt for Stop Collar	91002-0210	91002-0180	1
*18	Large Control Wheel	40536-0020	40536-0030	1
*18A	Set Screws for Large Wheel	96091-0010	96091-0010	2
*19	Small Control Wheel	40537-0020	40537-0030	1
*19A	Set Screws for Small Wheel	96091-0010	96091-0010	2

Items in parts list with lettered key numbers are supporting hardware to the basic part number (i.e. key number 7A should be ordered with the reflector, key 7).

**NOTE: SERVICE PARTS FOR EARLIER MODELS** — The above parts list is for lights marked with a nine-digit model number (i.e. 40833-0000). Earlier models are marked with a three-digit model number (i.e. 833). Only key numbers marked with an asterisk are interchangeable for all models. For service requirements on lights marked with a three-digit model number, where interchangeable parts are not indicated, the light should be returned to the factory, 501 West Liberty Street, Springfield, Ohio 45501.

# JABSCO PRODUCTS **ITT**

Marine and Recreation Components Division  
International Telephone and Telegraph Corporation  
1485 Dale Way, Costa Mesa, California 92626

Telephone: (714) 545-8251