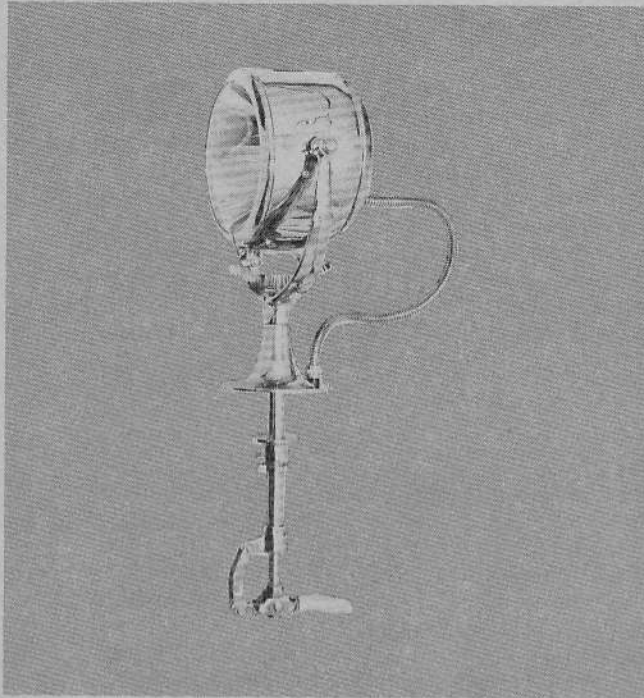


# 8" Diameter MODEL 40833-Series Lever Control

PRODUCT DATA



## FEATURES

- Heavy-gauge copper, brass, and bronze construction.
- High quality, heavy nickel chrome finish or tough baked enamel paint finish.
- Heat resistant tempered convex lens.
- Escutcheon plate covers and finishes clearance hole in cabin ceiling.
- Single-lever action for quick horizontal and vertical sweep.
- 285° horizontal sweep and 50° vertical motion.
- Horizontal and vertical locking device.
- Double contact bayonet-type projector bulb.
- Precision-formed polished chrome parabolic reflector.
- External focusing for spot or flood beam.
- Rubber covered wiring cable enclosed in weather-proof flexible conduit.
- Shipping weight: Approximately 29 lbs.

MODEL 40833-SERIES LEVER CONTROL

## STANDARD MODELS

Model Number	Finish	Volt.	Amp.	Bulb Number	Rod Lgth. Below Base
40833-0090	Chrome	12	5½	98039-0020	10½"
40833-0110	Gray	12	5½	98039-0020	10½"
40833-0210	Chrome	32	3½	98039-0060	10½"
40833-0230	Gray	32	3½	98039-0060	10½"

Note: For 24 Volt order Bulb Number 98039-0050.

## INSTALLATION AND MAINTENANCE

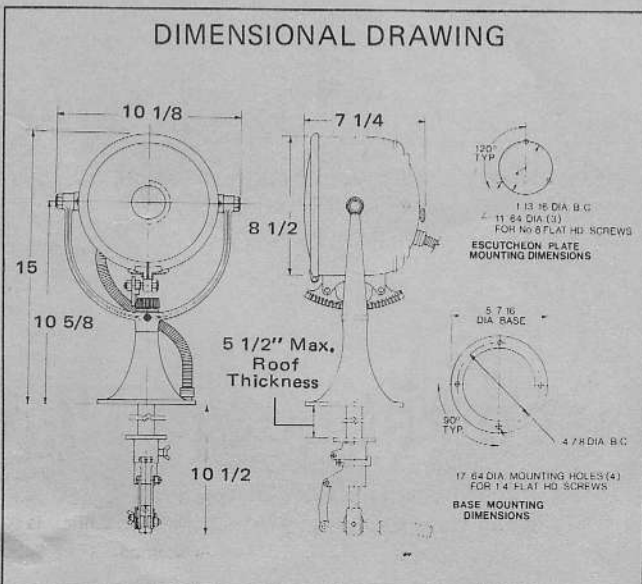
**INSTALLATION INSTRUCTIONS:** Searchlight should be mounted so its base is level. Drill 1" clearance hole through roof for outside control rod. Drill ½" hole for wiring directly behind and next to control rod hole. Loosen set screws (Keys 16A, 17A) and remove lever and fulcrum assembly. Loosen screws (Keys 21A, 22A) and remove stop collar (Key 21) and escutcheon plate (Key 22) from rod. Mount light in place, feeding wire through ½" hole. After putting sealing compound under base, fasten to roof with conduit fitting facing aft. Replace escutcheon plate and mount to ceiling with split in plate facing aft. Replace stop collar, and tighten set screw for rotation stop. Replace lever and fulcrum assembly.

**WIRING DIRECTIONS:** Use stranded copper wire. For 12 volt models, use 12 gauge wire for up to 35' from power source. For 32 volt models, use 16 gauge wire for up to 50' from power source. For lengths greater than specified, a heavier gauge wire should be used.

**RELAMPING AND FOCUSING:** Remove lens clamp (Key 8) and lens (Key 7) and remove bulb by pushing in and turning counter-clockwise. Install new bulb. Replace lens and clamp. Adjust focusing knob for desired beam width.

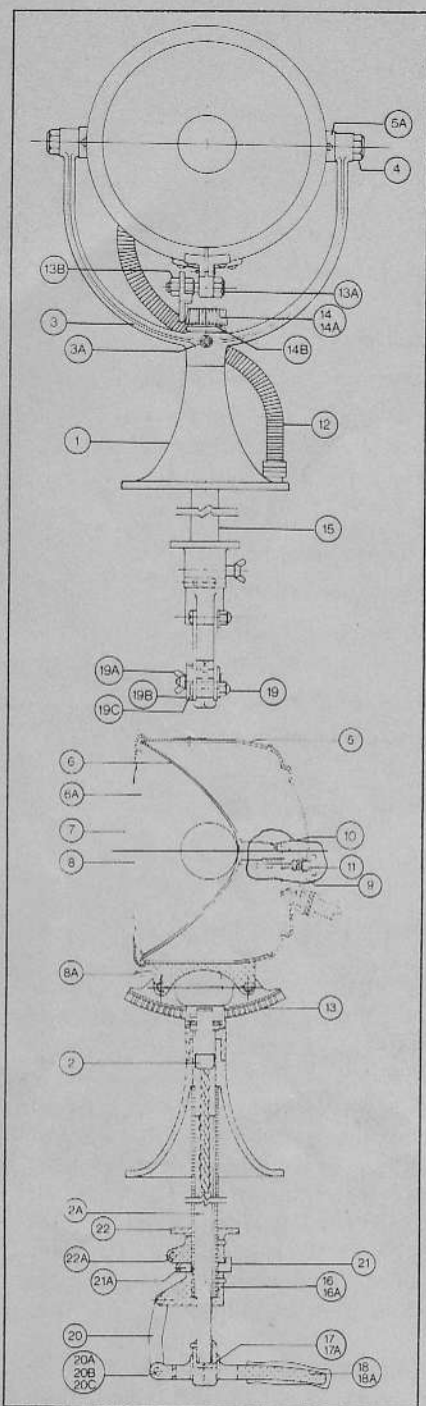
**MAINTENANCE:** Clean the bulb, reflector and lens periodically with a soft, lint-free cloth for best efficiency. Apply a coating of all-weather grease to moving parts as needed.

## DIMENSIONAL DRAWING



**JABSCO PRODUCTS**

## PARTS LIST



Key	Part Description	Part Numbers		
		Gray Models	Chrome Models	Qty.
1	Base (includes male connector for conduit)	40812-0020	40812-0000	1
2	Spiral Rod Assy. (for vertical control)	43367-0000	43367-0000	1
2A	Inside Control Rod (with fitting for spiral rod)	40409-0000	40409-0010	1
3	Trunnion	40814-0010	40814-0000	1
3A	Set Screw for Trunnion	96091-0010	96091-0010	2
4	Mounting Bolts	43265-0000	43265-0010	2
5	Housing Assy. (includes brace rack for mounting quadrant gear, trunnion mounts and male connector for conduit)	40838-0000	40838-0020	1
5A	Set Screw for Housing Assy.	96091-0010	96091-0010	2
6	Reflector (includes socket sleeve)	40548-0000	40548-0000	1
6A	Cork Gasket	96010-0110	96010-0110	1
7	Lens	98044-0060	98044-0060	1
8	Lens Clamp	40834-0020	40834-0000	1
8A	Bolt for Lens Clamp	91001-0080	91001-0060	1
9	Socket and Focusing Device (includes wire through base)	43395-0020	43395-0030	1
10	Socket Only (includes wire through base)	40568-0000	40568-0000	1
11	Focusing Device Only (includes knob, shank, washer and locknut)	43235-0020	43235-0030	1
12	Conduit (includes female connectors)	40518-0010	40518-0020	1
13	Quadrant Gear	40819-0010	40819-0000	1
13A	Bolt for Quadrant Gear	43264-0000	43264-0010	2
13B	Nut for Quadrant Gear	43252-0000	43252-0010	4
14	Pinion Gear	40821-0010	40821-0000	1
14A	Set Screws for Pinion Gear	96091-0020	96091-0020	2
14B	Thrust Washer for Pinion Gear	43190-0010	43190-0010	1
15	Outside Control Rod	40412-0020	40412-0030	1
16	Upper Fulcrum	40407-0010	40407-0020	1
16A	Set Screw for Upper Fulcrum	96091-0010	96091-0010	2
17	Lower Fulcrum	40211-0030	40211-0040	1
17A	Set Screw for Lower Fulcrum	96091-0010	96091-0010	1
18	Lever Handle	40186-0050	40186-0040	1
18A	Grip for Lever Handle	98022-0920	98022-0920	1
19	Bolt for Lever Handle	91103-0050	91103-0030	1
19A	Wing Nut for Lever Handle	91107-0060	91107-0070	1
19B	Locking Plate for Lever Handle	40214-0020	40214-0010	1
19C	Washer for Lever Handle	91613-1342	91613-1342	1
20	Fulcrum Straps	40265-0000	40265-0010	2
20A	Bolts for Fulcrum Straps	91043-0180	91043-0210	2
20B	Washer for Fulcrum Straps	91602-0150	91602-0210	2
20C	Nuts for Fulcrum Straps	91085-0590	91085-0410	2
21	Stop Collar	40520-0030	40520-0020	1
21A	Screw for Stop Collar	91002-0210	91002-0180	1
22	Escutcheon Plate	40534-0030	40534-0020	1
22A	Bolt for Escutcheon Plate	40517-0000	40517-0010	1

Items in parts list with lettered key numbers are supporting hardware to the basic part number (i.e. key number 6A should be ordered with the reflector, key 6).

# JABSCO PRODUCTS **ITT**

Marine and Recreation Components Division  
International Telephone and Telegraph Corporation  
1485 Dale Way, Costa Mesa, California 92626 Phone 714/545-8251