

FEATURES

- Heavy-gauge copper, brass, and bronze construction.
- High quality, heavy nickel chrome finish or tough baked enamel paint finish.
- Heat resistant tempered convex lens set in weather-proof gasket.
- Escutcheon plate covers and finishes clearance hole in cabin ceiling.
- Single-lever action for quick horizontal and vertical sweep.
- 285° horizontal sweep and 50° vertical motion.
- Horizontal and vertical locking device.
- Double contact bayonet-type projector bulb.
- Precision-formed polished chrome parabolic reflector.
- External focusing for spot or flood beam.
- Rubber covered wiring cable enclosed in weather-proof flexible conduit.
- Shipping weight: Approximately 30 lbs. (13.6 Kg)

STANDARD MODELS

| Model Number | Finish | Voltage | Amperage | Bulb Number | Rod Length Below Base |
|--------------|--------|---------|----------|-------------|-----------------------|
| 40533-0090 | Gray | 12 | 5½ | 98039-0020 | 16" (406mm) |
| 40533-0110 | Gray | 32 | 3½ | 98039-0060 | 16" (406mm) |
| 40533-0210 | Chrome | 12 | 5½ | 98039-0020 | 16" (406mm) |
| 40533-0230 | Chrome | 32 | 3½ | 98039-0060 | 16" (406mm) |

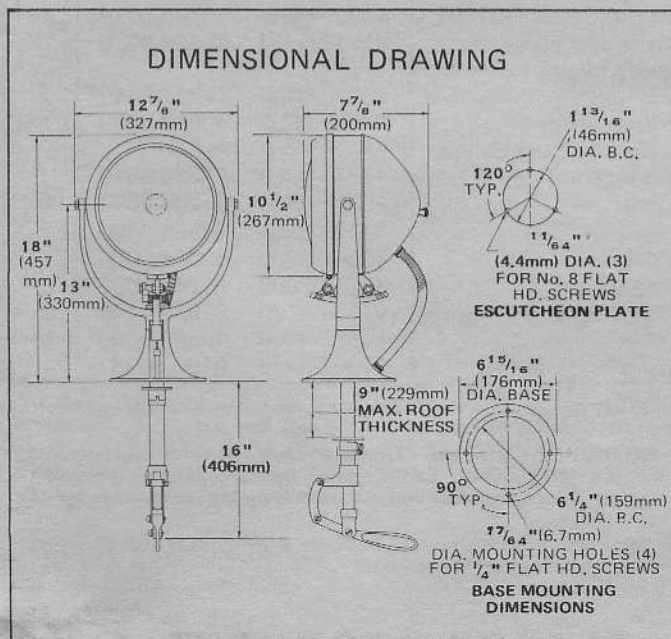
Note: For 24 Volt order Bulb Number 98039-0050.

INSTALLATION AND MAINTENANCE

INSTALLATION INSTRUCTIONS: Searchlight should be mounted so its base is level. Drill 1 1/8" (29mm) clearance hole through roof for outside control rod. Drill 1/2" (13mm) hole for wiring directly behind and next to control rod hole. Loosen set screws (Keys 9B, 10A) and remove lever and fulcrum assembly. Loosen screw (13A) and remove stop collar (Key 13) and escutcheon plate (Key 14) from rod. Mount light in place, feeding wire through 1/2" hole. After putting sealing compound under base, fasten to roof with conduit fitting facing aft. Replace escutcheon plate and mount to ceiling with split in plate facing aft. Replace stop collar, and tighten set screw for rotation stop. Replace lever and fulcrum assembly.

WIRING DIRECTIONS: Use stranded copper wire. For 12 volt models, use 12 gauge wire for up to 35' (10.6M) from power source. For 32 volt models, use 16 gauge wire for up to 50' (15.2M) from power source. For lengths greater than specified, a heavier gauge wire should be used.

DIMENSIONAL DRAWING



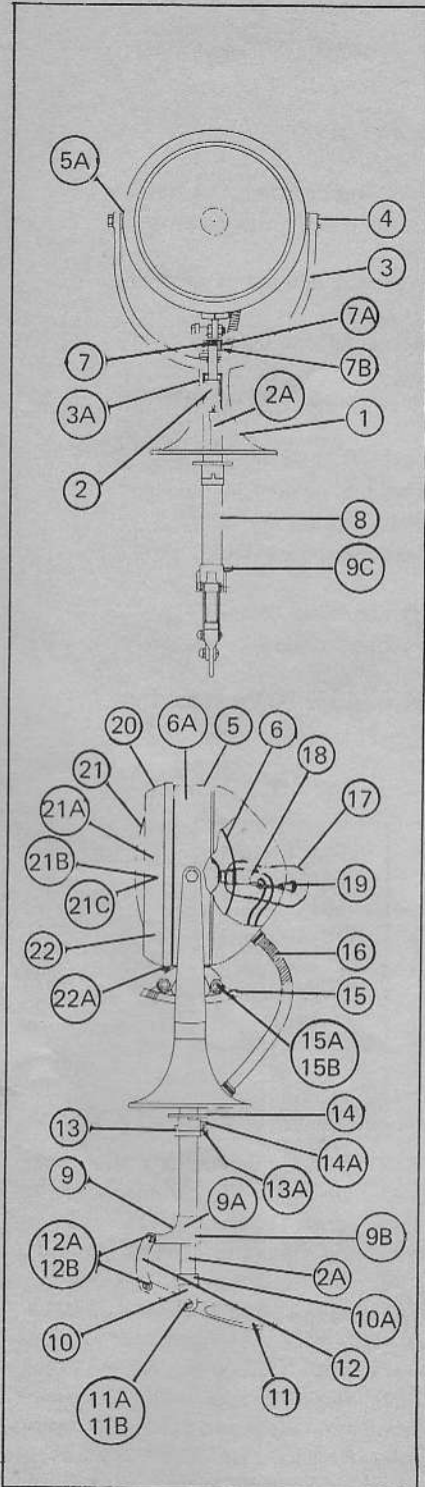
JABSCO PRODUCTS

INSTALLATION AND MAINTENANCE (CONT'D).

RELAMPING AND FOCUSING: Remove door clamp (Key 22) and door (Key 20) and remove bulb by pushing in and turning to left. Install new bulb. Replace door and clamp. Adjust focusing knob for desired beam width.

MAINTENANCE: Clean the bulb, reflector and lens with a soft, lint-free cloth periodically for best efficiency. Apply a coating of all-weather grease to moving parts as needed.

PARTS LIST



| Key | Description | PART NUMBERS | | QTY. |
|-------|---|---------------|-------------|------|
| | | Chrome Models | Gray Models | |
| 1 | Base (includes male connector for conduit) | 40522-0000 | 40522-0020 | 1 |
| 2 | Spiral Rod Assy. (for vertical control) | 40403-0000 | 40403-0000 | 1 |
| 2A | Inside Control Rod (with fitting for spiral rod) | 40394-0000 | 40394-0010 | 1 |
| 3 | Trunnion | 40524-0000 | 40524-0020 | 1 |
| 3A | Set Screw for Trunnion | 96091-0010 | 96091-0010 | 2 |
| * 4 | Mounting Bolts | 43265-0000 | 43265-0010 | 2 |
| * 5 | Housing Assy. (includes brace rack for mounting quadrant gear, trunnion mounts, and male connector for conduit) | 40519-0000 | 40519-0020 | 1 |
| * 5A | Set Screw for Housing Assembly | 96091-0010 | 96091-0010 | 2 |
| * 6 | Reflector (includes socket sleeve) | 40523-0000 | 40523-0000 | 1 |
| * 6A | Screws for Mounting Reflector | 91030-0140 | 91030-0140 | 3 |
| 7 | Pinion Gear | 40528-0010 | 40528-0000 | 1 |
| * 7A | Set Screws for Pinion Gear | 96091-0020 | 96091-0020 | 2 |
| * 7B | Thrust Washer for Pinion Gear | 43190-0000 | 43190-0000 | 1 |
| 8 | Outside Control Rod | 40397-0020 | 40397-0030 | 1 |
| 9 | Upper Fulcrum | 41841-0020 | 41841-0030 | 1 |
| 9A | Nylon Bushing for Upper Fulcrum | 40042-0010 | 40042-0010 | 1 |
| * 9B | Set Screws for Upper Fulcrum | 96091-0010 | 96091-0010 | 2 |
| * 9C | Lockscrew for Vertical Tension | 40187-0020 | 40187-0010 | 1 |
| 10 | Lower Fulcrum | 40399-0000 | 40399-0010 | 1 |
| * 10A | Set Screws for Lower Fulcrum | 96091-0010 | 96091-0010 | 2 |
| 11 | Lever Handle | 40406-0000 | 40406-0010 | 1 |
| * 11A | Bolt for Lever Handle | 91043-0200 | 91043-0190 | 1 |
| * 11B | Nut for Lever Handle | 91085-0590 | 91085-0410 | 1 |
| * 12 | Fulcrum Straps | 40265-0000 | 40265-0010 | 2 |
| * 12A | Bolt for Fulcrum Straps | 91043-0080 | 91043-0050 | 2 |
| * 12B | Nut for Fulcrum Strap | 91085-0590 | 91085-0410 | 2 |
| 13 | Stop Collar | 40520-0010 | 40520-0000 | 1 |
| * 13A | Screw for Stop Collar | 91002-0210 | 91002-0180 | 1 |
| 14 | Escutcheon Plate | 40534-0010 | 40534-0000 | 1 |
| * 14A | Bolt for Escutcheon Plate | 40517-0000 | 40517-0010 | 1 |
| 15 | Quadrant Gear | 40529-0000 | 40529-0010 | 1 |
| * 15A | Bolt for Quadrant Gear | 43264-0000 | 43264-0010 | 2 |
| * 15B | Nut for Quadrant Gear | 43252-0000 | 43252-0010 | 4 |
| * 16 | Conduit (includes female connectors) | 40518-0010 | 40518-0020 | 1 |
| * 17 | Socket and Focusing Device (includes wire) | 43395-0000 | 43395-0010 | 1 |
| * 18 | Socket Only (includes wire) | 40568-0000 | 40568-0000 | 1 |
| * 19 | Focusing Device Only (includes knob, shank, washer and locknut) | 43235-0000 | 43235-0010 | 1 |
| * 20 | Door Only (less lens) | 40535-0030 | 40535-0020 | 1 |
| * 21 | Lens Only | 40526-0000 | 40526-0000 | 1 |
| * 21A | Gasket for Lens | 40044-0000 | 40044-0000 | 1 |
| * 21B | Clips for Mounting Lens | 43262-0000 | 43262-0000 | 6 |
| * 21C | Screws for Mounting Lens | 91030-0140 | 91030-0140 | 6 |
| * 22 | Door Clamp | 40527-0000 | 40527-0020 | 1 |
| * 22A | Bolt for Door Clamp | 91002-0232 | 91002-0231 | 1 |

Items in Parts List with lettered key numbers are supporting hardware to the basic part number (i.e. Key numbers 21A, 21B and 21C should be ordered with the lens, Key 21).

NOTE: SERVICE PARTS FOR EARLIER MODELS - The above Parts List is for lights marked with a nine digit model number (i.e. 40533-0000). Earlier models are marked with a three digit model number (i.e. 533). Only key numbers marked with an asterisk are interchangeable for all models.

For service requirements on lights with three digit model numbers, where interchangeable parts are not indicated, the light should be returned to the factory, ITT Jabsco Products, 501 West Liberty Street, Springfield, Ohio 45501.

JABSCO PRODUCTS ITT

Marine and Recreation Components Division
International Telephone and Telegraph Corporation
1485 Dale Way, Costa Mesa, California 92626