

**RAY-LINE®**  
MARINE SEARCHLIGHTS

# 10" Diameter MODEL 40500 Series Deck Mount

PRODUCT DATA

MODEL 40500-SERIES DECK MOUNT



## FEATURES

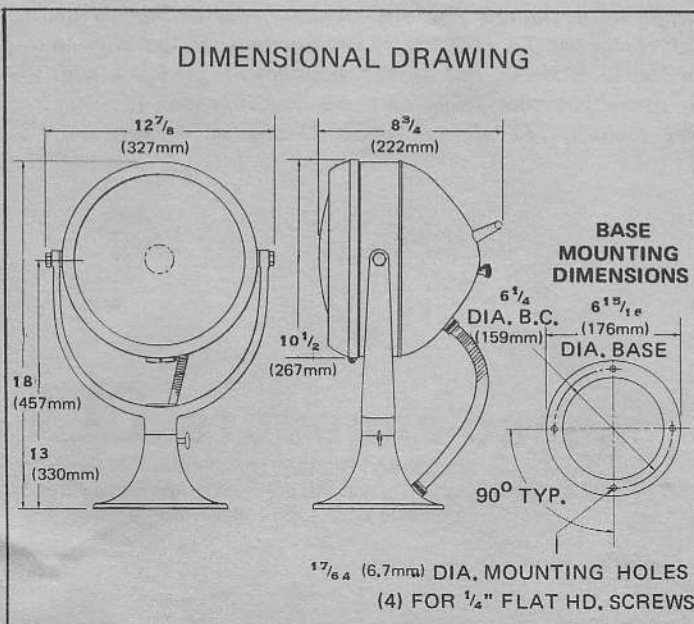
- Heavy-gauge copper, brass, and bronze construction.
- High quality, heavy nickel-chrome finish, or tough baked enamel finish.
- Heat resistant tempered convex lens set in weather-proof gasket.
- Full horizontal and vertical sweep.
- Horizontal locking device.
- Double-contact bayonet-type projector bulb.
- Precision formed, polished chrome parabolic reflector.
- External focusing for spot or flood.
- Rubber covered wiring cable enclosed in weather-proof flexible conduit.
- Approximate shipping weight: 17 lbs. (7.7 Kg)

## STANDARD MODELS

Model Number	Finish	Voltage	Amperage	Bulb Number
40500-0010	Gray	12	5½	98039-0020
40500-0030	Gray	32	3½	98039-0060
40500-0090	Chrome	12	5½	98039-0020
40500-0110	Chrome	32	3½	98039-0060

Note: For 24 volt, order bulb number 98039-0050

## DIMENSIONAL DRAWING



## INSTALLATION AND MAINTENANCE

**INSTALLATION INSTRUCTIONS:** Searchlight should be mounted so that base is level. Drill a ½" (13mm) hole for wiring. Mount light in place, feeding wire into ½" hole. After putting sealing compound under base, fasten base to deck with conduit fitting facing aft.

**WIRING INSTRUCTIONS:** Use stranded copper wire. For 12 volt models, use 12 gauge wire for up to 35' (10.6m) from power source. For 32 volt models, use 16 gauge wire for up to 50' (15.2m) from power source. For lengths greater than specified, a heavier gauge wire should be used.

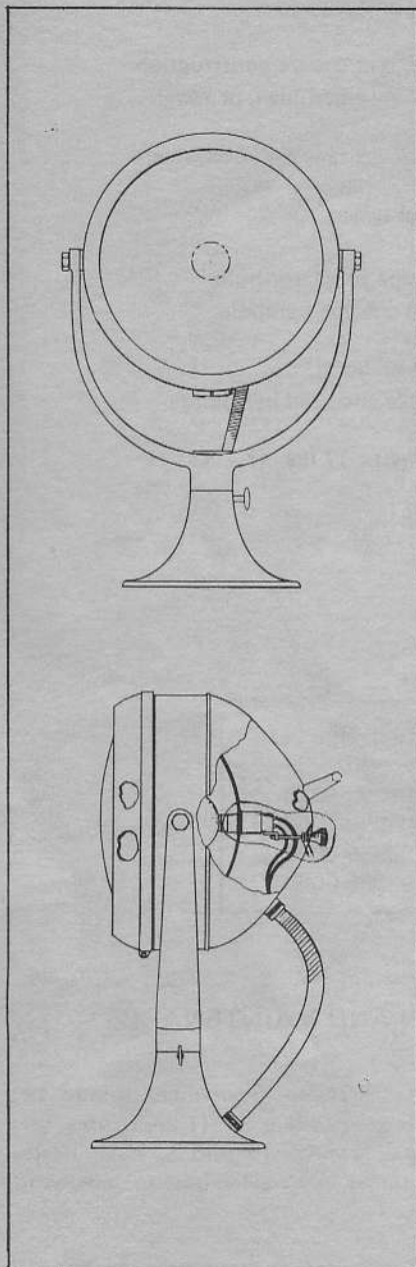
**JABSCO PRODUCTS**

## INSTALLATION AND MAINTENANCE (CONT'D).

**RELAMPING AND FOCUSING:** Remove door clamp (Key 12) and door (Key 10) and remove bulb by pushing in and turning to left. Install new bulb. Replace door and clamp. Adjust focusing knob for desired beam width.

**MAINTENANCE:** Clean the bulb, reflector and lens with a soft, lint-free cloth periodically for best efficiency. Apply a coating of all-weather grease to moving parts as needed. To adjust vertical tension, loosen set screws (Key 4A) and tighten mounting bolts (Key 3). Retighten set screws.

### PARTS LIST



Key	Description	PART NUMBERS		Qty.
		Gray Models	Chrome Models	
1	Base (includes male connector for conduit)	40522-0030	40522-0050	1
* 1A	Horizontal Locking Stud	40517-0000	40517-0010	1
2	Trunnion	43229-0000	43229-0020	1
* 3	Mounting Bolts (for vertical pivot)	43265-0000	43265-0010	2
* 4	Housing Assy. (includes mounting brackets and male connector for conduit)	40519-0030	40519-0050	1
* 4A	Set Screws for Housing Assy.	96091-0010	96091-0010	2
* 4B	Handle	40796-0010	40796-0020	1
* 4C	Bolts for Handle	91095-0600	91095-0600	2
* 4D	Washers for Handle	91613-0680	91613-0680	2
* 4E	Lock Washers for Handle	91613-0690	91613-0690	2
* 5	Reflector (includes socket sleeve)	40523-0000	40523-0000	1
* 5A	Screws for Mounting Reflector	91030-0140	91030-0140	3
* 6	Conduit (includes female connectors)	40518-0010	40518-0020	1
* 7	Socket and Focusing Device (includes wire)	43395-0000	43395-0010	1
* 8	Socket Only (includes wire)	40568-0000	40568-0000	1
* 9	Focusing Device Only (includes knob, shank, washer, and lock nut)	43235-0000	43235-0010	1
* 10	Door Only (less lens)	40535-0030	40535-0020	1
* 11	Lens Only	40526-0000	40526-0000	1
* 11A	Gasket for Lens	40044-0000	40044-0000	1
* 11B	Clips for Mounting Lens	43262-0000	43262-0000	6
* 11C	Screws for Mounting Lens	91030-0140	91030-0140	6
* 12	Door Clamp	40527-0000	40527-0020	1
* 12A	Bolt for Door Clamp	91002-0232	91002-0231	1

Items in Parts List with lettered key numbers are supporting hardware to the basic part number (i.e. Key numbers 11A, 11B and 11C should be ordered with the lens, Key 11).

**NOTE: SERVICE PARTS FOR EARLIER MODELS** – The above Parts List is for lights marked with a nine digit model number (i.e. 40500-0000). Earlier models are marked with a three digit model number (i.e. 500). Only key numbers marked with an asterisk are interchangeable for all models. For service requirements on lights with three digit model numbers, where interchangeable parts are not indicated, the light should be returned to the factory, ITT Jabsco Products, 501 W. Liberty St., Springfield, Ohio 45501.

## JABSCO PRODUCTS **ITT**

Marine and Recreation Components Division  
International Telephone and Telegraph Corporation  
1485 Dale Way, Costa Mesa, California 92626

Telephone: (714) 545-8251