

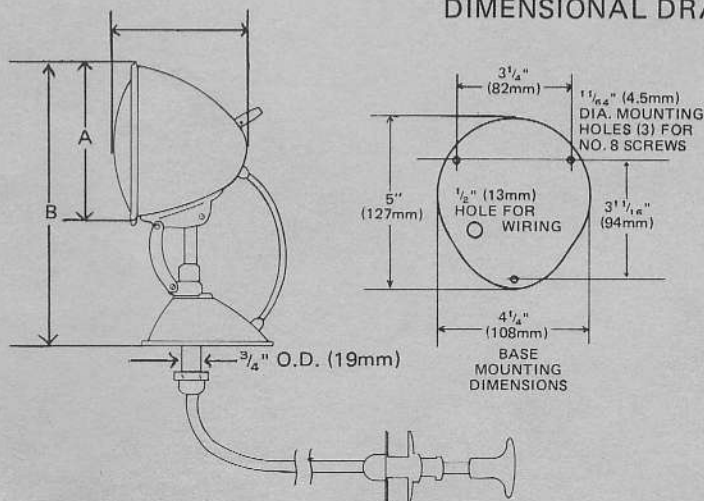
FEATURES

- Powerful sealed beam bulb.
- Heavy gauge copper, brass, and bronze construction.
- High quality, heavy nickel-chrome finish.
- Single knob control remotely operates horizontal and vertical sweep.
- Wiring cable enclosed in weatherproof flexible conduit.
- Approximate shipping weight: 10 lbs. (4.5 kg).

STANDARD MODELS

Model Number	Head Diameter	Finish	Cable Length	Voltage	Amperage	Bulb Number	Beam Candle Power
40025-0030	6" (152mm)	Chrome	36" (.91M)	12	2.5	98040-0070	75,000
40025-0040	6" (152mm)	Chrome	44" (1.1M)	12	2.5	98040-0070	75,000
40025-0050	6" (152mm)	Chrome	72" (1.8M)	12	2.5	98040-0070	75,000
40027-0010	7" (178mm)	Chrome	36" (.91M)	12	8.3	98040-0020	250,000
40027-0040	7" (178mm)	Chrome	44" (1.1M)	12	8.3	98040-0020	250,000
40027-0070	7" (178mm)	Chrome	71" (1.8M)	12	8.3	98040-0020	250,000

DIMENSIONAL DRAWING



Model	Dimension A	Dimension B	Dimension C
40025-Series	6" (152mm)	11 1/4" (285mm)	6" (152mm)
40027-Series	7 1/2" (190mm)	12 1/2" (318mm)	7" (178mm)

NOTE: Refer to Standard Models for Control Cable Length.