

**RAY-LINE®**

MARINE SEARCHLIGHTS

**MODEL 40014 Series  
6" Lever Control**

PRODUCT DATA

MODEL 40014 SERIES LEVER CONTROL

**FEATURES**

Heavy-gauge copper, brass, and bronze construction. High quality, heavy nickel chrome finish or tough gray baked enamel paint finish.

Single-lever action for quick horizontal and vertical sweep.

330° horizontal sweep and 125° vertical motion.

Horizontal and vertical locking device.

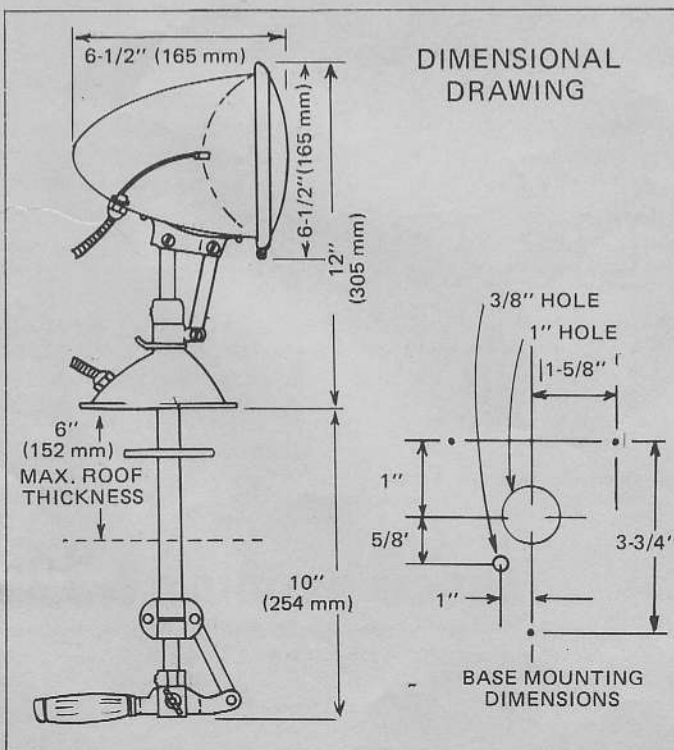
Powerful 6" shielded filament sealed beam bulb, for up to 1/2 mile range.

Prefocused spot beam bulb. Wiring enclosed in weatherproof flexible conduit.

Shipping weight: Approximately 10 lbs. (4.5 kg).

**STANDARD MODELS**

Model Number	Finish	Voltage	Amperage	Bulb Number	Rod Length Below Base	Candle Power
40014-0010	Gray	12	5-1/2	98040-0070	10" (254 mm)	75,000
40014-0020	Gray	32	2-1/2	98040-0100	10" (254 mm)	100,000
40014-0040	Chrome	12	5-1/2	98040-0070	10" (254 mm)	75,000
40014-0050	Chrome	32	2-1/2	98040-0100	10" (254 mm)	100,000

**INSTALLATION AND MAINTENANCE**

**INSTALLATION INSTRUCTIONS:** Searchlight should be mounted so its base is level. Drill 1" (26 mm) clearance hole through roof for outside control rod. Drill 3/8" (10 mm) hole for wiring next to control rod hole. Remove friction clip (Key 14) and control lever bolt (Key 18). Slide lever, fulcrum assembly and escutcheon plate off rod. Mount light in place, feeding wire through 3/8" hole. After putting sealing compound under base, fasten to roof with conduit fitting facing aft. Replace escutcheon plate and mount to ceiling. Replace lever and fulcrum assembly, lever facing aft.

**WIRING DIRECTIONS:** Use stranded copper wire. For 12 volt models, use 12 gauge wire for up to 35' (10.6m) from power source. For 32 volt models, use 16 gauge wire for up to 50' (15.2m) from power source. For lengths greater than specified, a heavier gauge wire should be used.

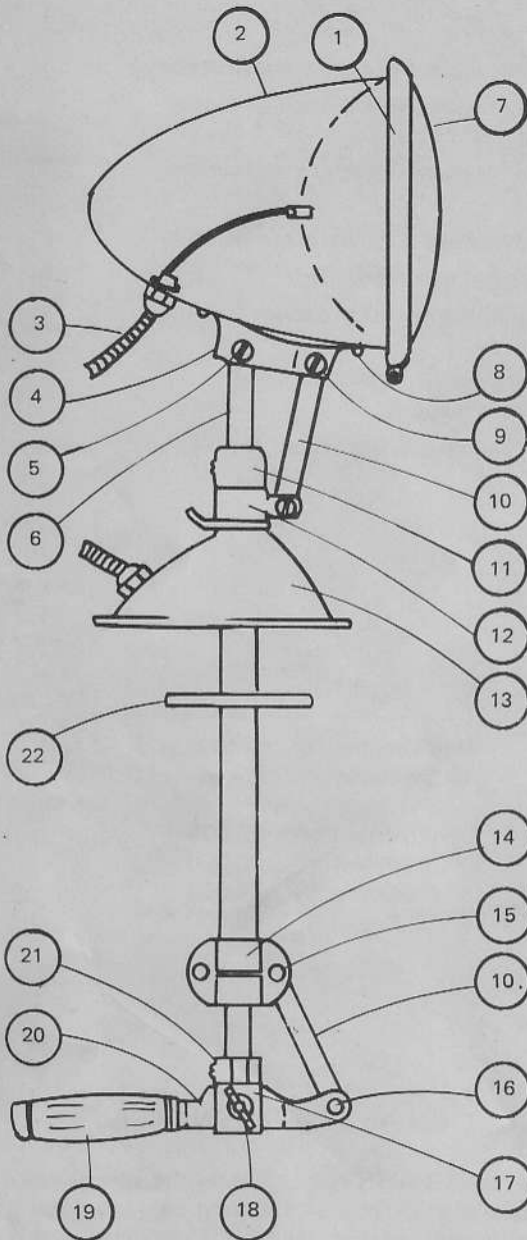
**JABSCO PRODUCTS****ITT**

Form 43000-0390 Rev. 2/80

# INSTALLATION AND MAINTENANCE (CONT'D).

**CHANGING BULB:** Remove bulb clamp ring (Key 1) and remove bulb. Install new bulb. Replace clamp ring before tightening clamp, position bulb bottom indicator to bottom center of housing.

**MAINTENANCE:** Clean the bulb lens with water and a cloth periodically for best efficiency. Apply a light coating of all-weather grease to moving parts as needed.



## PARTS LIST

Key	Description	PART NUMBER		QTY.
		Chrome Models	Gray Models	
1	CLAMP RING ASSY	40387-0000		1
2	HOUSING ASSY	40388-0010	40388-0000	1
3	CONDUIT ASSY	43563-0000		1
4	HOUSING BRACKET	40389-0010	40389-0000	1
5	SCREW (NUT & WASHER SEE 9)	91043-0050		1
6	ROD ASSY	40259-0000		1
7	BULB 12 Volt 32 Volt	98040-0070 98040-0100		1
8	SCREW	91030-0160		3
	NUT	91085-0490		3
9	SCREW	91043-0090		2
	NUT	91085-0500		3
	LOCK WASHER	91602-0210		6
10	FULCRUM STRAP	40379-0000		2
11	TRUNNION CAP	40189-0010		1
	SET SCREW	96092-0010		1
	BRASS WASHER	91613-0170		1
	RUBBER WASHER	91613-0180		1
12	FRICITION COLLAR	40391-0010		1
	NYLON WASHER	91613-0160		2
13	BASE ASSY	40299-0010	40299-0000	1
14	FRICITION CLIP	40266-0000		2
15	SCREW	91043-0030		2
	NUT (WASHER, SEE 9)	91085-0500		3
16	SCREW (NUT & WASHER SEE 9 & 15)	91043-0090		1
17	LOCKING BRACKET	40214-0010		1
18	BOLT	91103-0030		1
	WING NUT	91107-0070		1
19	GRIP	98022-0920		1
20	CONTROL HANDLE	40186-0010	40186-0000	1
21	LOWER FULCRUM	40211-0000		1
	SET SCREW	96092-0010		1
22	ESCUTCHEON PLATE	40262-0000	40262-0010	1
	WOOD SCREW	91044-0010		5

For service requirements on lights with three digit model numbers, where interchangeable parts are not indicated, the light should be returned to the factory, ITT Jabsco Products, 501 West Liberty Street, Springfield, Ohio 45501.

# JABSCO PRODUCTS ITT

Marine and Recreation Components Division  
International Telephone and Telegraph Corporation  
1485 Dale Way, Costa Mesa, California 92626

Telephone: (714) 545-8251

Form 43000-0390 Rev. 2/80