



37045-Series

QUIET - FLUSH ELECTRIC TOILET

FEATURES

- Very quiet flush cycle - like a household toilet
- Single button flush actuator - with dual function water level control switch
- Can be plumbed to any pressurized water system that can provide a 3-1/2 GPM flow rate
- Water control solenoid valve with anti-siphon breaker to prevent contamination of potable water supply
- White vitreous china bowl available in compact or comfortable household size
- Baked enamel seat & cover
- High capacity waste macerator and bowl discharge pump



37045-Series

Model Number	Description
37045-0012	Compact Size Bowl, 12 Volt DC
37045-0024	Compact Size Bowl, 24 Volt DC
37045-0032	Compact Size Bowl, 32 Volt DC
37045-1012	Household Size Bowl, 12 Volt DC
37045-1024	Household Size Bowl, 24 Volt DC
37045-1032	Household Size Bowl, 32 Volt DC

OPERATION

The Quiet-Flush toilet provides both quiet operation and user control of water levels in the toilet bowl. A single large push button switch provides a simple flush mode by activating both the rinse water supply and the macerator discharge pump simultaneously. An additional rocker switch offers independent control of the rinse water supply and discharge

pump separately so the bowl water level can be easily raised or lowered by the user. This allows for complete evacuation of the bowl water while underway in rough sea conditions. It also provides a method of minimizing water use, when desired, as well as a means of raising the water level in the bowl when appropriate for user comfort.

Reesh

INSTALLATION

PLUMBING

The toilet can be plumbed to any pressurized water system that can provide a minimum of 3-1/2 GPM. This may be a fresh water system including the vessel's potable water system or a washdown system utilizing either fresh or salt water. However, it must be connected to a pressurized system that normally remains on at all times while the vessel is in use.

To make the water connection, shut off the water system pump and open one of the systems faucets or fixtures to drain the pressure from the system. Select an appropriate tee type fitting that can be installed in the existing pressurized water system and will provide a 1/2" hose barb to feed water to the toilet. Install the tee fitting at location on the pressurized water system that provides convenient connection to the toilet's solenoid valve/siphon breaker assembly. If the toilet is being connected to the vessel's fresh water system and the vessel may be connected to an unregulated city water supply, it is recommended that a valve be installed in the toilet water supply line ahead of the solenoid valve/siphon breaker to regulate the flow rate of incoming pressurized city water.

The solenoid valve/siphon breaker should be positioned a minimum of six inches above the hose connection at the back of the toilet bowl and located as close to the toilet as possible. It should be located where an occasional drop or two of water from the siphon breaker will not adversely affect nearby equipment or supplies. It must be installed in a vertical position with the hose barb connections pointing down. The solenoid valve/siphon breaker bracket should be secured to a solid mounting surface with four screws. If the valve assembly is attached to a wood surface, 3/8" long screws are generally adequate to support the weight of the valve assembly. If desired, the valve assembly may be installed inside a cabinet or locker to conceal it from view of the vessel's occupants. To provide a clean sanitary appearance inside the head area, a six foot section of smooth white hose is provided with the toilet to connect the toilet bowl spud fitting to the siphon breaker outlet hose barb.

The solenoid valve inlet hose barb is then connected with 1/2" reinforced vinyl hose suitable for pressurized water to the tee fitting installed in the water system line. All pressurized water system connections should be secured with stainless steel band type hose clamps. The hose connecting the siphon breaker to the bowl should be secured with a band clamp at the siphon breaker to prevent it from being accidentally dislodged but generally does not need a hose clamp to secure it to the bowl spud fitting unless desired for added security.

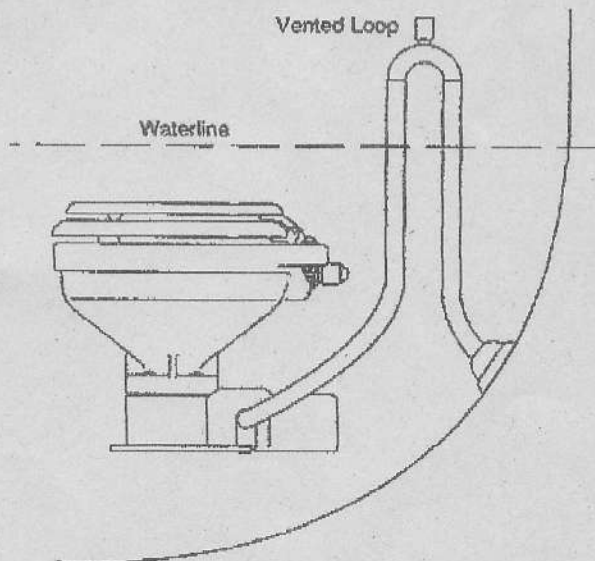
The discharge port includes a 1" hose barb and should be plumbed with 1" hose to an on board holding tank or, if appropriate, to an overboard discharge through hull. A 1" to 1-1/2" barbed hose adaptor is provided to adapt a 1" discharge hose to 1-1/2" hose, if desired. The discharge plumbing should be kept as short as possible and bends in the discharge hose should be kept to a minimum.

WARNING

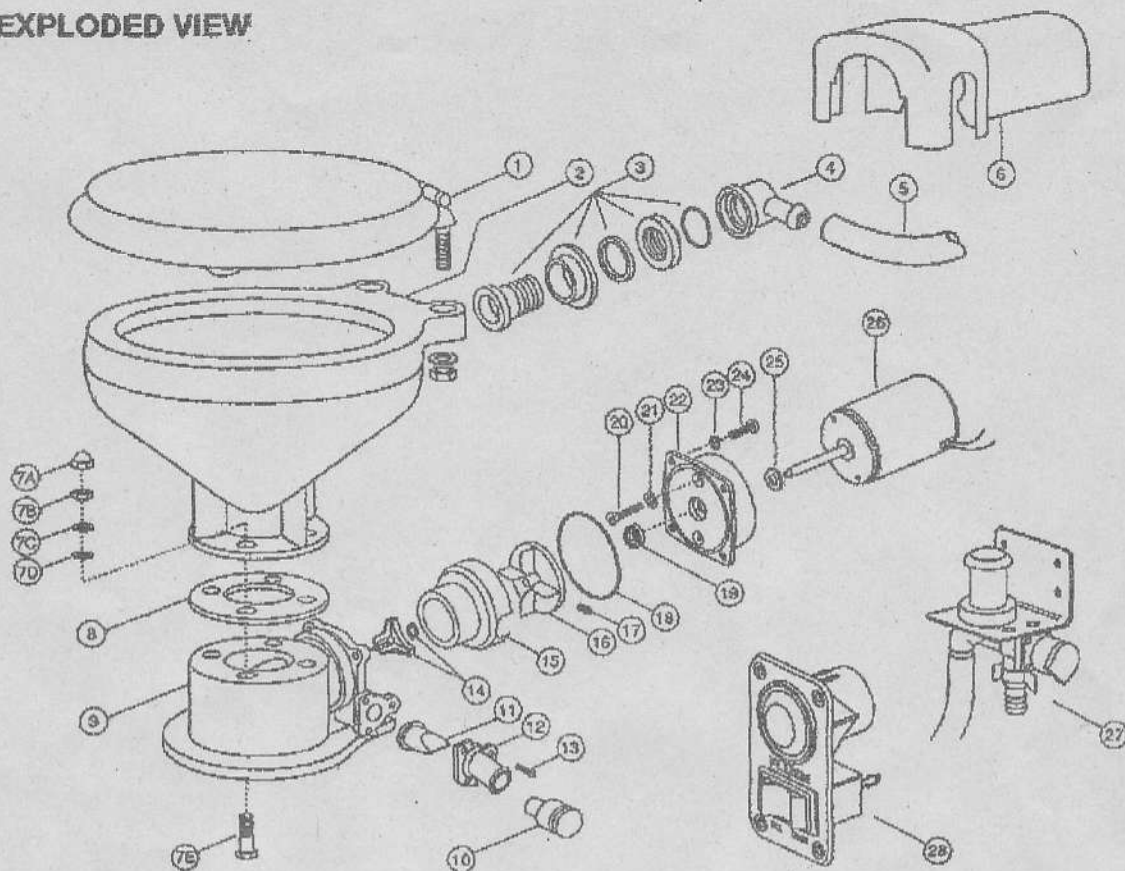


Flood hazard. If toilet is installed below the waterline, it must be installed with a properly positioned vented loop in the discharge hose. Failure to do so can result in flooding which can cause loss of property and life.

If the toilet is below the water line and is plumbed to an overboard discharge through hull, the discharge plumbing must include a vented loop positioned so it remains above the water line at all angles of heel and trim. To retain water in the bowl, the discharge hose should be looped upward about eight to ten inches above the base of the toilet and as near to the toilet as can be practically accomplished without creating an unsightly plumbing situation.



EXPLODED VIEW



PARTS LIST

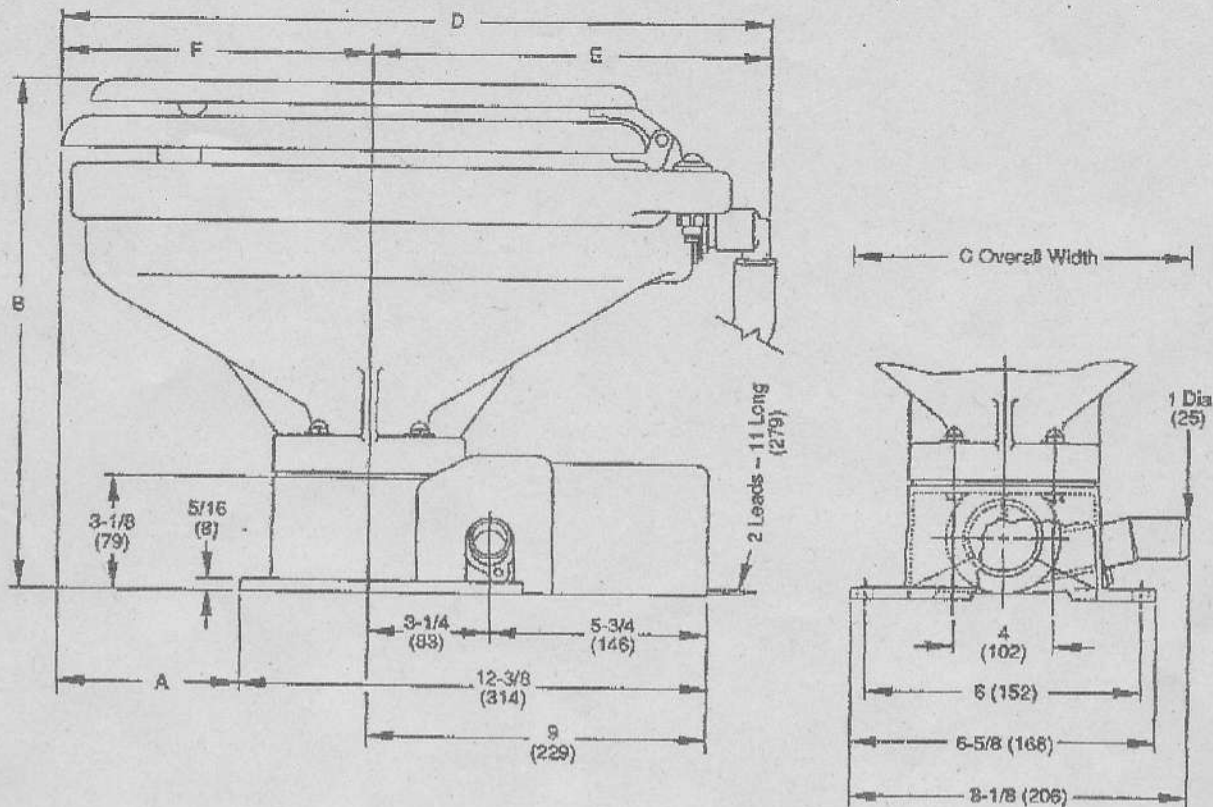
KEY	DESCRIPTION	PART#	QTY. REQ'D	KEY	DESCRIPTION	PART#	QTY. REQ'D
1	Seat & Cover, Compact Size Seat & Cover, Household Size	18753-0437 18753-0438	1 1	15	Macerator Housing	37014-0000	1
2	Bowl, Compact Size Bowl, Household Size	59127-7002 18753-0060	1 1	16	Centrifugal Impeller	37005-0000	1
3	Bowl Spud	29048-0000	1	17	Set Screw	91084-0320	1
4	Intake Elbow & O-ring			18	O-ring*	43990-0088	1
5	Hose, 6 feet	29035-1031	1	19	Seal	1040-0000	1
6	Motor Cover	37042-1000	1	20	Screw	91010-0144	2
7	Bowl Installation Hardware	18753-0472	1	21	Washer, Plastic*	95445-0000	2
7A	Nut Cap**	37017-0000	4	22	Seal Housing	37043-1000	1
7B	Hex Nut**			23	Lock Washer #10, Stainless Steel		4
7C	Washer, Stainless Steel**			24	Screw	91027-0011	4
7D	Washer, Plastic**			25	Slinger	6342-0000	1
7E	Hex Head Screw**		4	26	Motor - 12 Volt Motor - 24 Volt Motor - 32 Volt	18755-0554 18755-0555 18755-0556	1 1 1
8	Gasket*	37017-0000	1	27	Solenoid Valve & Siphon Breaker 12 Volt 24 & 32 Volt	37038-1012 37038-1024	1 1
9	Base Assembly**	37004-1000	1	28	Switch Panel Service Kit	37047-1000 90197-0000	1 1
10	1-1/2" Adaptor, Discharge Port	88023-0080	1				
11	Joker Valve**	44106-1000	1				
12	1" Discharge Port**	44107-1000	1				
13	Screw**	96050-0568	3				
14	Chopper Plate* with Lock Washer, #12 Stainless Steel	18595-1000	1				

* Parts Supplied with Service Kit

** Parts Included with base 37004-1000.

DIMENSIONAL DRAWING

Inches (Millimetres)



	A	B	C	D	E	F
COMPACT SIZE BOWL	3-1/8 (79)	14-1/8 (359)	13-1/8 (333)	16-1/2 (419)	10 (254)	6-1/2 (165)
HOUSEHOLD SIZE BOWL	4-5/8 (117)	14-1/8 (359)	14-3/4 (375)	19-3/4 (502)	10-3/4 (273)	9 (229)

THE PRODUCTS DESCRIBED HEREIN ARE SUBJECT TO THE JABSCO ONE YEAR LIMITED WARRANTY, WHICH IS AVAILABLE FOR YOUR INSPECTION UPON REQUEST.

ITT Jabsco

A unit of ITT Fluid Technology Corporation

U.S.A.
 ITT Jabsco
 1485 Dale Way, P.O. Box 2158
 Costa Mesa, CA 92626-2158
 Tel: (714) 545-8251
 Fax: (714) 957-0609

UNITED KINGDOM
 ITT Jabsco
 Bingley Road, Hoddesdon
 Hertfordshire EN11 0BU
 Tel: +44 (0) 1992 450145
 Fax: +44 (0) 1992 467132

CANADA
 ITT Fluid Products
 55 Royal Road
 Guelph, Ontario N1H 1T1
 Tel: (519) 821-1900
 Fax: (519) 821-2569

JAPAN
 NHK Jabsco Company Ltd.
 3-21-10, Shin-Yokohama
 Kohoku-Ku, Yokohama, 221
 Tel: 045-4758905
 Fax: 045-475-8908

GERMANY
 MINTEC GmbH
 Postfach 1703/Oetslrasse 28
 D-22807 Norderstedt
 Tel: +49-40-63 53 73-0
 Fax: +49-40-53 53 73-11