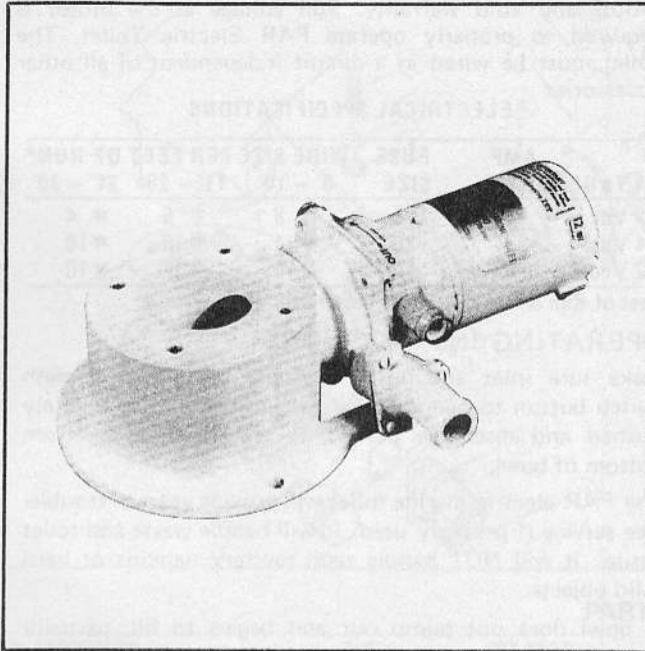




Models 37010-0002 – 12 Vdc
37010-0007 – 24 Vdc
37010-0005 – 32 Vdc



APPLICATION

The PAR electric conversion kit may be installed above or below the waterline. Flush pump is self priming up to 4 feet, discharge macerator pump can operate up to 4 foot head.

The PAR 37010 series can be used to convert the Raritan PH or Compact, Wilcox-Crittenden "Head Mate," Groco HC, Brydon No. 9127, 9128, or No. 59128 and virtually any other model marine toilet using the "standard" bowl configuration with a 3-3/4" diameter bolt circle, 4 hole pattern in the base. Check the dimensional drawing to be sure the bowl will fit the flange dimensions as shown.

The PAR 37010 series includes the complete motorized base assembly, bowl gasket, four bolts and washers for bowl, two 5/8" to 3/4" pump port adaptors, 5/8" hose elbow for rear bowl connection, 1" to 1-1/2" discharge port adaptor, and momentary control switch

ASSEMBLY

1. Overall height after conversion may increase up to 1" on some models, check to be sure adequate space is available if located under seats or bunks.
2. Remove complete manual base assembly and mount bowl on PAR motorized base. NOTE: 1-1/4" long bolts supplied are suitable for most bowls, however, some bowl flanges are heavier and 1-1/2" (1/4 x 20) long bolts must be used. Place washers against bowl flange, positioning base for most convenient hose connection arrangement.
3. Connect pump outlet to rear bowl connection with 3/4" hose, use plastic elbow and port sleeve adaptor supplied.

**ELECTRONIC TOILET
 CONVERSION KIT
 FEATURES**

- High Capacity Macerator and Bowl Scavenger Pump
- Flexible Impeller Flush Pump
- Permanent Magnet Type Motor, Fully Enclosed, with Stainless Steel Shaft
- Simple Push Button Switch included
- All Corrosion Resistant Materials for Marine Use

SPECIFICATIONS

- 5/8" or 3/4" Inlet, 1" or 1-1/2" Outlet
- Back Flow Check in Discharge
- 12 Vdc, 16 Amps.
- 24 Vdc, 8 Amps.
- 32 Vdc, 6 Amps.
- Thru Flow Approx. 1-1/2 Qts. per 5 Seconds of Operation.

4. Position complete toilet assembly and fasten securely on flat surface. Be sure not to warp toilet base when tightening toilet base down.
5. Connect existing inlet hose to pump inlet port. A 5/8" to 3/4" sleeve adaptor is included for fitting to commonly used 3/4" inlet hose size. Make sure all connections are air tight and free of sharp bends or restrictions.
6. Connect 1" hose to discharge port (1-1/2" hose when using 1-1/2" discharge adaptor) and make suitable connection to holding tank or other discharge system. Avoid sharp bends or restrictions.
7. For installation below the waterline, install a vented loop in the intake hose and position about 6" above the waterline at all angles of heel or trim.* A vented loop should also be used for discharge if connected to a thruhull fitting.
8. For installations above water line, make a loop in discharge line about 8 inches above base of bowl to retain water in bowl. Some installations may need a check valve in the intake line to aid primability of flush water pump.
9. If thru-hull seacocks cannot be conveniently operated from toilet location, install suitable shut-off valves for inlet and discharge connections.

* In some installations when a vented loop is installed in the intake hose, the flushing pump primeability and flow characteristics are reduced and may adversely affect toilet function. To restore pump performance, connect a solenoid valve (Jabsco No. 37068-0000) to the vent air inlet to interrupt the air supply during the flush cycle. The brass port of the solenoid valve (remove plastic filter if attached) should be connected to the vent inlet with 3/16" hose and the solenoid wired in parallel with the toilet motor. See Diagram 1 for installation and wiring illustration.

Models 37010-0002 – 12 Vdc,
 37010-0007 – 24 Vdc, 37010-0005 – 32 Vdc

INSTALLATION INSTRUCTIONS

PLUMBING CONNECTIONS – Connect inlet hose using either 5/8" or 3/4" ID hose (a sleeve is included to adapt pump inlet from 5/8" to 3/4"). Make sure all inlet connections are airtight and free of sharp bends or restrictions.

NOTE: The toilet inlet must not be connected to a *pressurized* water system.

Connect 1" or 1-1/2" hose to discharge port (Adaptor 98023-0080 is included to convert discharge port to 1-1/2" ID hose), and make suitable connection to holding tank or other discharge system. Avoid sharp bends or restrictions.

For installations below waterline, vented loops should be installed. Remove hose between pump and bowl and replace with hose long enough to include a properly positioned vented loop. Discharge hose should be routed to include a properly positioned vented loop. Vented loops should be installed in hose and positioned so they remain about 8 inches above the waterline at all angles of heel or trim.

For above waterline installations, a check valve may have to be installed in the flush water intake line to ensure rapid pump priming. To retain water in bowl, make a loop in the discharge line about 8 inches above base of bowl.

CAUTION: IF TOILET IS PLUMBED TO THE VESSEL'S POTABLE WATER TANK FOR ITS SOURCE OF SUPPLY, IT IS ESSENTIAL THAT A SPRING LOADED TYPE CHECK VALVE IS INSTALLED IN THE HOSE CONNECTING THE WATER TANK TO THE TOILET. FAILURE TO DO SO CAN RESULT IN CONTAMINATION OF WATER SUPPLY.

ELECTRICAL CONNECTIONS - Select a location for the switch and instruction plate, making sure wire leads from both the toilet and power source can be routed to the switch. Ensure the panel where installing switch is no more than 1" thick. Drill a 5/8" mounting hole and install switch and instruction plate. Use stranded copper wire of the correct size (determined from the electrical specifications chart) to connect one side of the switch to the positive power source. **An appropriate size fuse or equivalent**

circuit breaker (determined from electrical specifications chart) must be installed in the positive power lead within seven inches of the power source. Connect the other side of the switch to the orange (positive) motor lead. Connect the black (negative) motor lead to the negative side of the battery or grounded buss bar.

NOTICE: Correct motor polarity (orange to positive, black to negative) is important. Reverse polarity can damage motor and void warranty. Full voltage at the motor is required to properly operate PAR Electric Toilet. The toilet must be wired in a circuit independent of all other accessories.

ELECTRICAL SPECIFICATIONS

VOLTAGE	AMP DRAW	FUSE SIZE	WIRE SIZE PER FEET OF RUN*		
			0' - 10'	11' - 20'	21' - 30'
12 Vdc	16	25	# 8	# 6	# 4
24 Vdc	8	20	#14	#10	#10
32 Vdc	6	10	#16	#12	#10

*Feet of Run is measured from battery to toilet.

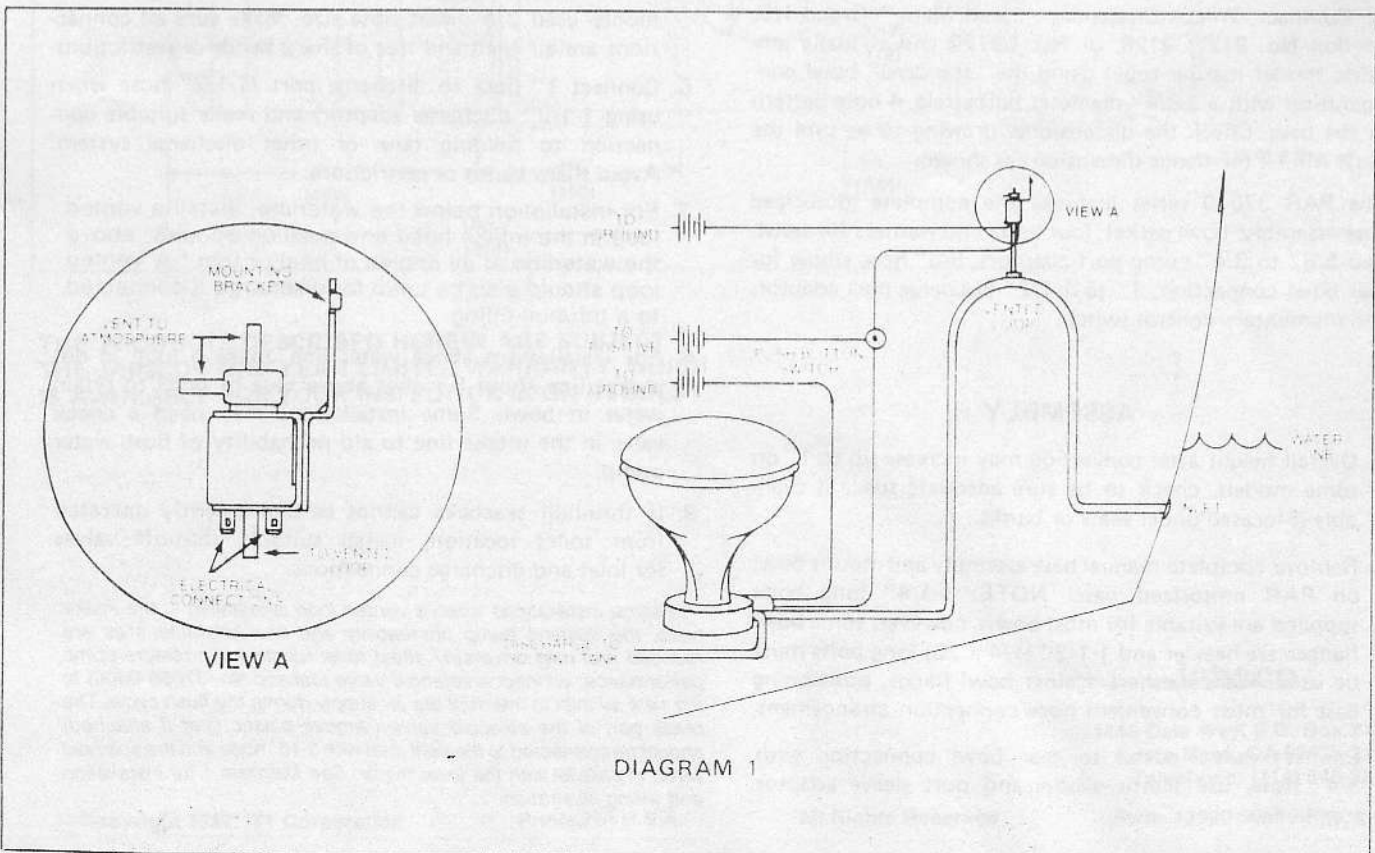
OPERATING INSTRUCTIONS

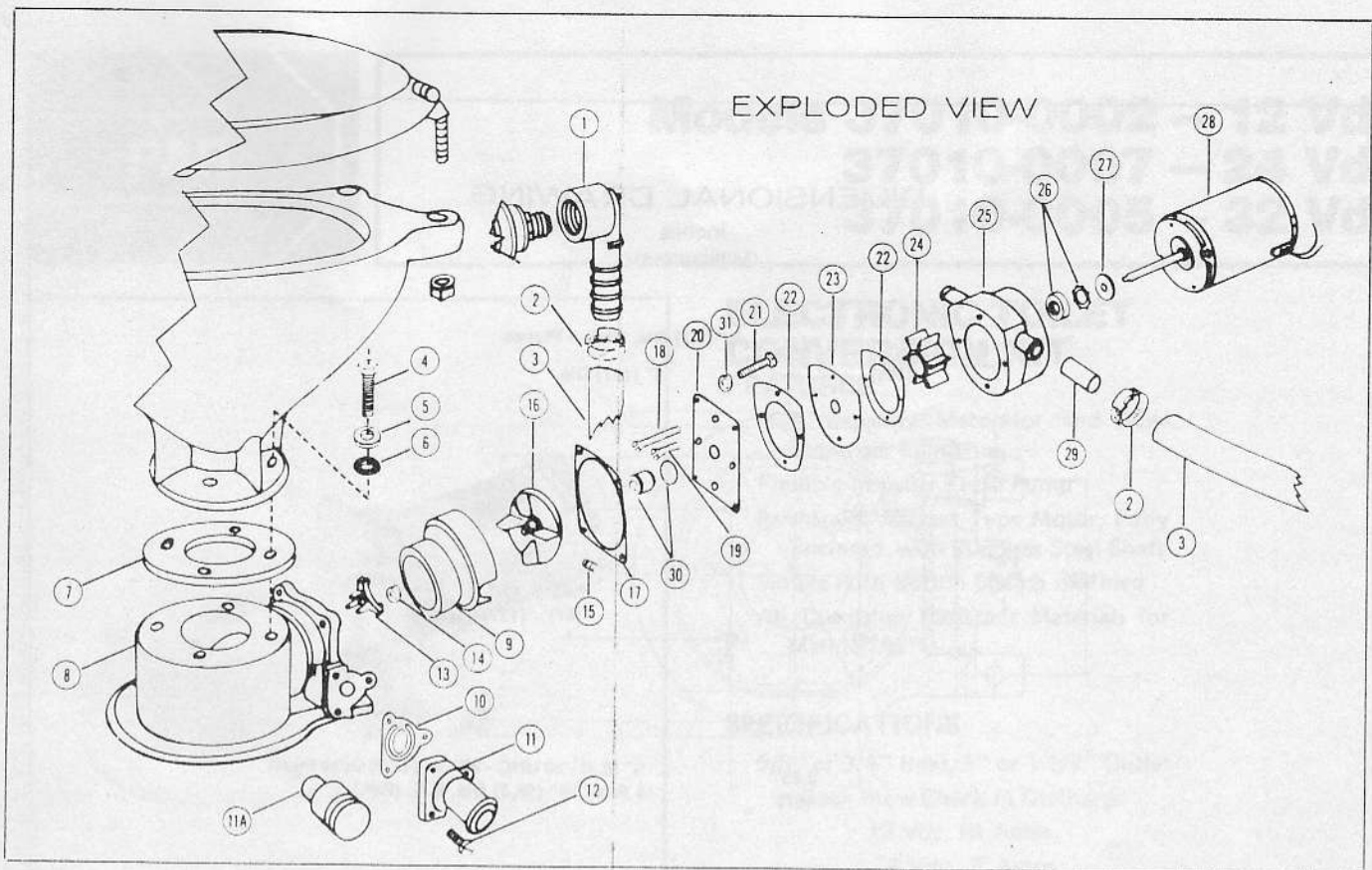
Make sure inlet and outlet seacocks are all open; push switch button to operate. Operate until bowl is completely flushed and discharge pump has scavenged water from bottom of bowl.

The PAR electric marine toilet will provide years of trouble-free service if properly used. It will handle waste and toilet tissue. It will NOT handle rags, sanitary napkins or hard solid objects.

If bowl does not pump out and begins to fill, partially close inlet valve until bowl is cleared and completely pumped out. Then operate for a few seconds with both valves open to clear entire toilet and discharge system. After each operation close both the inlet and outlet seacocks.

To drain for winter layup, close inlet valve and operate for a few seconds until all water is pumped out.





PARTS LIST

KEY	DESCRIPTION	PART #	QTY. REQ'D
1	Elbow	59127-7030	1
2	Clamp	18753-0044	2
3	Hose	93003-0230	1
4	Hex Head Screw	91095-0070	4
5	Washer, Stainless Steel*	91603-0090	4
6	Washer, Plastic*	57000-8195	4
7	Gasket†	37017-0000	1
8	Base	37004-0000	1
9	Macerator Housing†	37014-0000	1
10	Flapper Valve†	37009-0000	1
11	1" Discharge Port	37015-0000	1
11A	1 1/2" Adaptor, Discharge Port	98023-0080	1
12	Screw	91002-0030	3
13	Chopper Plate†	18595-1000	1
14	Lock Washer, Stainless Steel†	91602-0240	1
15	Set Screw†	91084-0320	1
16	Centrifugal Impeller†	37006-0000	1
17	Gasket†	37019-0000	1
18	Screw†	91010-0130	2

KEY	DESCRIPTION	PART #	QTY. REQ'D
19	Screw†	91009-0040	2
20	Wearplate**†	37018-0000	1
21	Screw†	91027-0011	4
22	Gasket†	12558-0000	2
23	Wearplate†	18316-0000	1
24	Flexible Impeller†	6303-0003	1
25	Body†	12554-0000	1
26	Seal & Retainer†	1040-0000	1
27	Slinger†	6342-0000	1
	Motor - 12 Volt†	37064-0000	1
28	Motor - 24 Volt†	37065-0000	1
	Motor - 32 Volt†	37066-0000	1
29	Adaptor	93003-0240	2
30	O-Ring Sleeve Kit†	37039-0000	1
31	Lock Washer #10, Stainless Steel†		4
	Service Kit	37040-0000	
	Motor Pump Assy. 12V†	37041-0010	
	Motor Pump Assy. 24V†	37041-0011	
	Motor Pump Assy. 32V†	37041-0012	

* Parts Supplied With Service Kit 37040-0000

** Wearplate #20 Includes Shaft Sleeve and O-Ring #30.

† Parts included in Motor-Pump Assembly.

DISASSEMBLY

Disconnect pump inlet and discharge hoses. Remove four screws, Key No. 21, pull out complete motor, pump and macerator assembly. Remove macerator housing from base.

Remove discharge port, Key No. 11, and inspect check valve. Unscrew chopper plate, Key No. 13, by turning counter-clockwise, facing plate. Prevent shaft from turning by grasping centrifugal impeller blade with pliers. Loosen centrifugal impeller set screw and slide impeller off motor shaft.

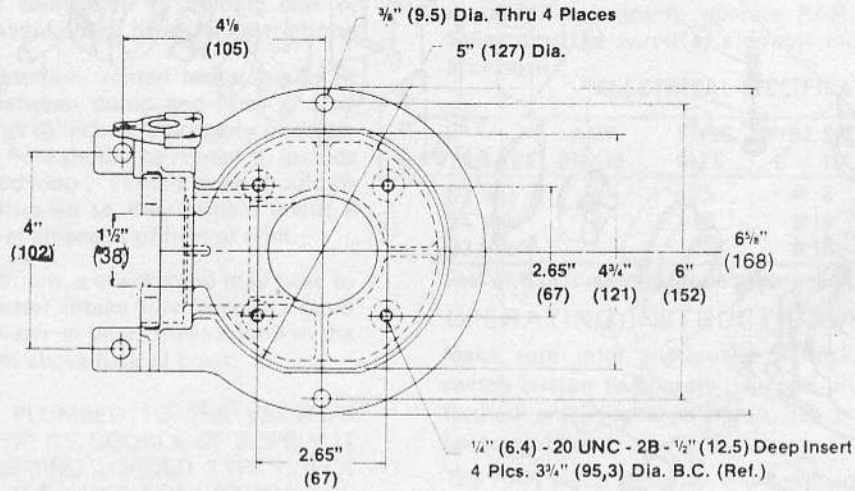
Remove four flathead screws, Key No. 18 & 19, wearplate, Key No. 20, gaskets and S.S. wearplate, Key No. 22 & 23. Slide pump assembly off motor shaft. Replace all worn or damaged parts, clean remaining parts.

REASSEMBLY INSTRUCTIONS

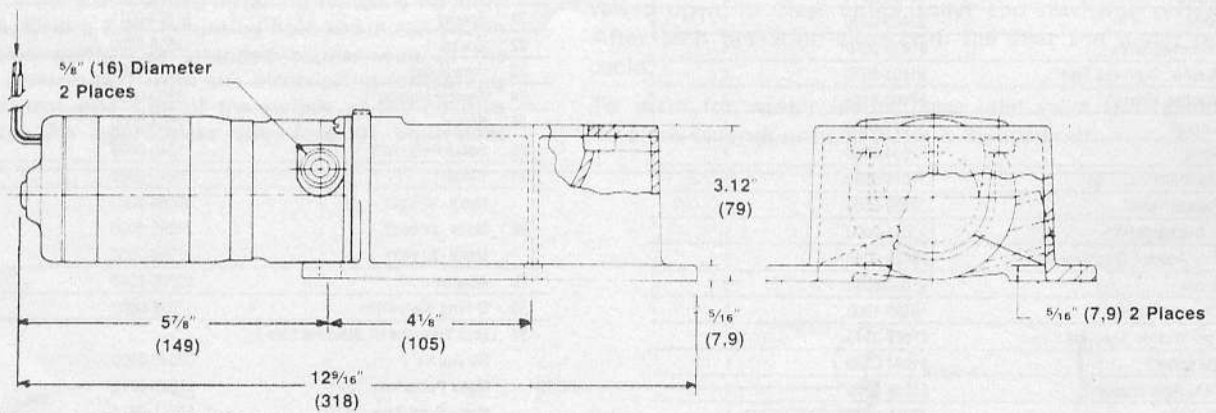
Press seal into body with lip facing impeller; be careful not to cock seal in bore. Install pump body on motor and position on register; lubricate impeller bore with pump grease. Put O-ring into wearplate groove. Install impeller, gasket and wearplate. Make sure gasket surfaces are clean and smooth. Tighten wearplate screws. Slide shaft sleeve onto shaft until it seats against rubber impeller (No. 24). Relocate centrifugal impeller in position against shaft sleeve. Put lock washer on end of shaft and screw chopper plate on shaft and tighten. Install gasket on wearplate surface (a little grease will help hold in place). Make sure inside body surfaces are clean and install macerator housing in base, aligning key on housing with slot in base. Slide macerator assembly into base and tighten with the four screws. Turn motor on for one or two seconds to be sure centrifugal impeller is free.

DIMENSIONAL DRAWING


Inches
(Millimeters)



2 Leads - 11" (279) Long



THE PRODUCTS DESCRIBED HEREIN ARE SUBJECT TO THE JABSCO® ONE YEAR LIMITED WARRANTY, WHICH IS AVAILABLE FOR YOUR INSPECTION UPON REQUEST.


Jabco
ITT Fluid Technology Corporation
 1485 Dale Way, P.O. Box 2158
 Costa Mesa, CA 92628-2158
 Telephone: (714) 545-8251