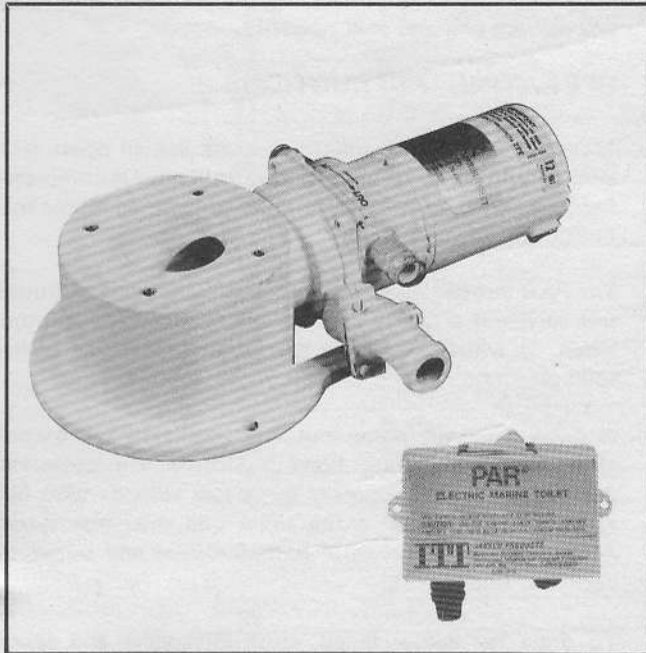


PAR ELECTRONIC TOILET CONVERSION KIT

MODEL: 37010-0002 12 Volt
37010-0007 24 Volt
37010-0005 32 Volt

To Convert Manually Operated Marine Toilets

PRODUCT DATA



FEATURES

Simple Push Button Switch included
Flexible Impeller Flush Pump
High Capacity Macerator and Bowl Scavenger Pump
Permanent Magnet Type Motor, Fully Enclosed, with Stainless Steel Shaft
All Corrosion Resistant Materials for Marine Use

SPECIFICATIONS

5/8" or 3/4" Inlet, 1" or 1-1/2" Outlet
Back Flow Check in Discharge
12 Volt DC, 18 Amps.
24 Volt DC, 9 Amps.
32 Volt DC, 7.5 Amps.
Thru Flow Approx. 1-1/2 Qts. per 5 Seconds of Operation.

Model: 37010-0002 — 12 Volt
37010-0007 — 24 Volt
37010-0005 — 32 Volt

INSTALLATION INSTRUCTIONS

The Par electric conversion kit may be installed above or below the waterline. Flush pump is selfpriming up to 6 feet, discharge macerator pump can operate up to 4 foot head.

The PAR 37010 series can be used to convert the Raritan PH or Compact, Wilcox-Crittenden "Head Mate," Groco HC, Brydon #9127, 9128, or #59128 and virtually any other model marine toilet using the "standard" bowl configuration with a 3-3/4" diameter bolt circle, 4 hole pattern in the base. Check the dimensional drawing to be sure the bowl will fit the flange dimensions as shown.

The PAR 37010 series includes the complete motorized base assembly, bowl gasket, four bolts and washers for bowl, two 5/8" to 3/4" pump port adaptors, 5/8" hose elbow for rear bowl connection, 1" to 1-1/2" discharge port adaptor, and momentary control switch.

See dimensional drawing on back page for mounting & outline dimensions.

To complete your PAR electric toilet conversion, follow these installation suggestions:

1. Overall height after conversion may increase up to 1" on some models, check to be sure adequate space is available if located under seats or bunks.
2. Remove complete manual base assembly and mount bowl on PAR motorized base. NOTE:
1-1/4" long bolts supplied are suitable for most bowls, however, some bowl flanges are heavier and 1-1/2" (1/4x20) long bolts must be used. Place washers against bowl flange. position base for most convenient hose connection arrangement and accessibility of motor for serviceability.
3. Connect pump outlet to rear bowl connection with 3/4" hose, use plastic elbow and port sleeve adaptor supplied.
4. Position complete toilet assembly and fasten securely on flat surface. Be sure not to warp toilet base when tightening toilet base down.

ITT JABSCO

Form 43000-0084 Rev. 5/81

INSTALLATION INSTRUCTIONS (Continued)

5. Connect existing inlet hose to pump inlet port. A 5/8" to 3/4" sleeve adaptor is included for fitting to commonly used 3/4" inlet hose size. Make sure all connections are air tight and free of sharp bends or restrictions.
6. Connect 1" hose to discharge port (1-1/2" hose when using 1-1/2" discharge adapter) and make suitable connection to holding tank or other discharge system. Avoid sharp bends or restrictions.
7. For installation below the water line be sure to have a vented loop inlet hose about 8 inches above waterline at all angles of trim. Vented loop should also be used for discharge if connected to thruhull fitting.
8. For installations above water line make a loop in discharge line about 8 inches above base of bowl to retain water in bowl. Some imformations may need a check valve in the intake line to prevent loss of flush water pump prime.
9. If thru-hull seacocks cannot be conveniently operated from toilet location, install suitable shut-off valves for inlet and discharge connections.

WIRING HOOKUP: Wire with heavy duty stranded copper wire throughout. For 12 volt, use #12 gauge for less than 10' run, #10 gauge for up to 20' run. For 24 and 32 volt, use #14 gauge for less than 10' run, #12 gauge for up to 20' run. Complete the installation with PAR switch and fuse panel: #37020-0000 (12 volt), 37020-0001 (24 volt), or 37020-0002 (32 volt). If other switch is used, adequate

amperage capacity is necessary: use a 25 amp. fuse for 12 volt, 15 amp. fuse for 24 volt, or 10 amp. fuse for 32 volt.

IMPORTANT

Connect orange wire to positive and black wire to negative for proper rotation. Failure to connect wires as described will damage unit and void warranty.

OPERATING INSTRUCTIONS

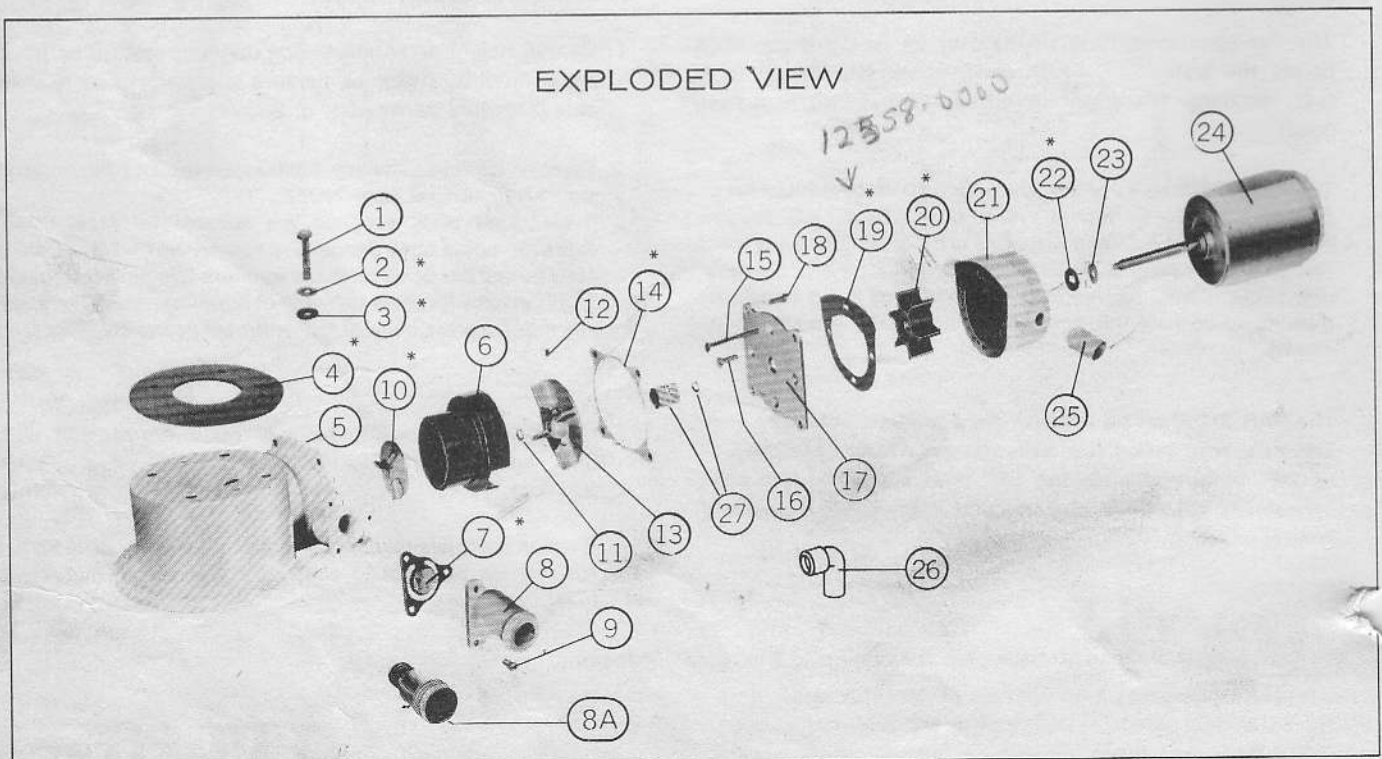
Make sure inlet and outlet seacocks are all open, push switch button to operate. Operate until bowl is completely flushed and discharge pump has scavenged water from bottom of bowl.

The PAR electric marine toilet will provide years of trouble-free service if properly used. It will handle waste and toilet tissue. It will NOT handle rags, sanitary napkins or hard solid objects.

If bowl does not pump out and begins to fill, partially close inlet valve until bowl is cleared and completely pumped out. Then operate for a few seconds with both valves open to clear entire toilet and discharge system. After each operation close both the inlet and outlet seacocks.

To drain for winter layup, close inlet valve and operate for a few seconds until all water is pumped out.

SERVICE INSTRUCTIONS



KEY	DESCRIPTION	PART NUMBER	QTY. REQ'D
1	Hex Head Screw	91095-0070	4
2	Washer, St. St'l*	91603-0090	4
3	Washer, Plastic*	57000-8195	4
4	Gasket*	37017-0000	1
5	Base	37004-0000	1
6	Macerator Housing	37014-0000	1
7	Flapper Valve*	37009-0000	1
8	1" Discharge Port	37015-0000	1
8A	1-1/2" Adapter, Discharge Port	98023-0080	1
9	Screw	91002-0030	3
10	Chopper Plate*	18595-1000	1
11	Washer	91602-0240	1
12	Set Screw	91084-0320	1
13	Centrifugal Impeller	37006-0000	1
14	Gasket*	31019-0000	1 ✓
15	Screw	91010-0130	2
16	Screw	91009-0040	2 4
17	Wearplate**	37018-0000	1
18	Screw	91027-0011	4
19	Gasket*	37028-0000	1 ✓
20	Flexible Impeller*	7273-0001	1
21	Body	12554-0000	1
22	Seal & Retainer*	1040-0000	1 ✓
23	Slinger	6342-0000	1
24	Motor - 12 Volt	37064-0000	1 ✓
	Motor - 24 Volt	37065-0000	1
	Motor - 32 Volt	37066-0000	1
25	Adapter	93003-0240	1
26	Elbow	92003-0051	1
27	Shaft Sleeve**	37039-0000	1
	O'ring Seal**		1
-	Service Kit	37040-0000	

*Parts Supplied With Service Kit

**Wearplate #17 Includes Shaft Sleeve & O'ring (#27)

DISASSEMBLY

Disconnect Pump inlet, and discharge hoses. Remove four screws, Key #18, pull out complete motor, pump and macerator assembly. If assembly does not slide out easily, push forward and pull back sharply several times to free macerator housing from base.

Remove discharge port, Key #8, and inspect check valve. Unscrew chopper plate, key #10, by turning counterclockwise, facing plate. Prevent shaft from turning by placing screwdriver in discharge port and locking centrifugal impeller blade. Remove macerator housing. Loosen impeller set screw and slide impeller off motor shaft.

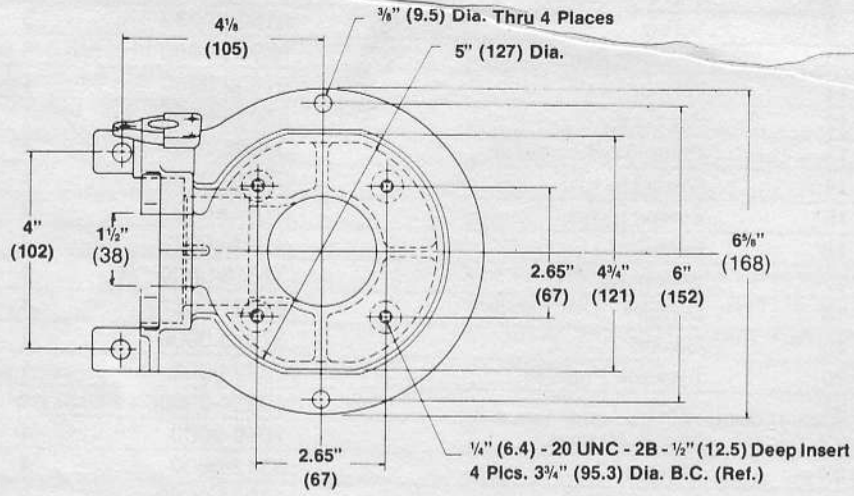
Remove four flathead screws, Key #15 & 16, wearplate, Key #17, gasket, Key #19. Slide pump assembly off motor shaft. Replace all worn or damaged parts, clean remaining parts.

REASSEMBLY INSTRUCTIONS

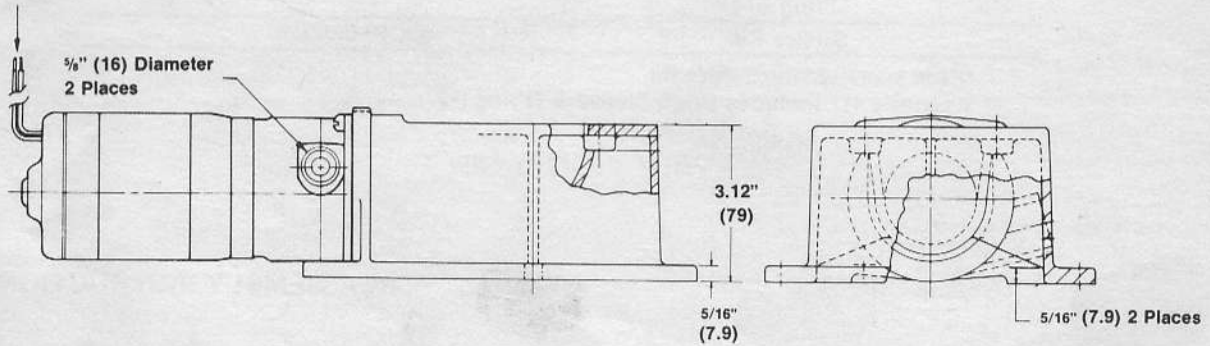
Press seal into body with lip facing impeller, be careful not to cock seal in bore. Install pump body on motor and position on register, lubricate impeller bore with pump grease. Put o-ring into wearplate groove. Install impeller, gasket and wearplate. Make sure gasket surfaces are clean and smooth. Tighten wearplate screws. Slide shaft sleeve onto shaft until it seats against rubber impeller (#20). Relocate centrifugal impeller in position against shaft sleeve. Put lock washer on end of shaft and screw chopper plate on shaft and tighten. Install gasket on wearplate surface, a little grease will help hold in place, make sure inside body surfaces are clean, line up slot in body with key on macerator housing, slide assembly into body and tighten with the four screws. Turn motor on for one or two seconds to be sure centrifugal impeller is free.

DIMENSIONAL DRAWING

Inches
(Millimeters)



2 Leads - 11" (279) Long



ITT JABSCO

MARC Division
International Telephone and Telegraph Corporation
1485 Dale Way, Costa Mesa, California 92626

Telephone: (714) 545-8251