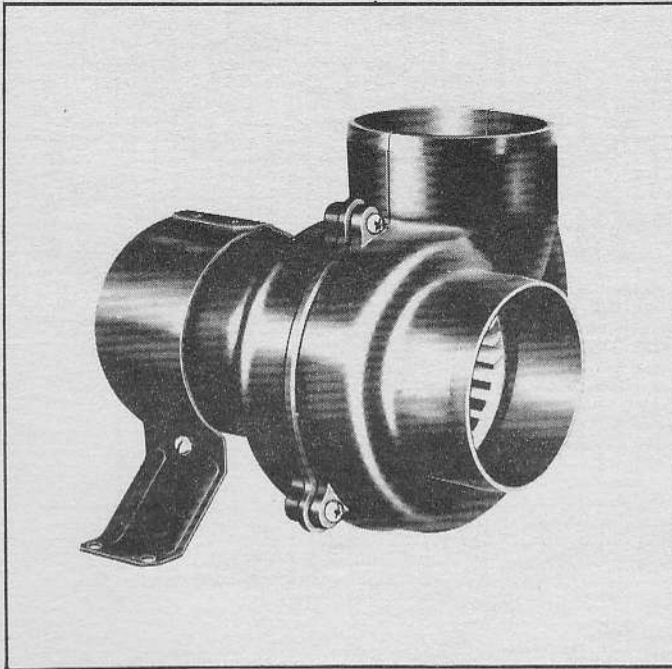


PAR™

FLEXMOUNT BLOWER

MODEL 35440-Series

MODEL 35440 - SERIES
PAR FLEXMOUNT BLOWERS



PRODUCT DATA

FEATURES

- Tough Reinforced Plastic Housing
- Continuous-Duty Motor
- Universal Flexmount Bracket Permits Outlet to Face Any Direction
- Tested to UL Standard 1128
- Slip-On Inlet and Outlet Ducting Connections
- Efficient High Volume Air Flow
- Low Current Draw
- Corrosion-Resistant Materials Throughout
- BIA Type-Accepted
- Meets Requirements Of Title 33, Part 183, Subpart I, USCG Electrical Regulations.

SPECIFICATIONS

Model	Air Flow	Volts	Amps	Fuse Size	Weight Lbs.
35440-0000	250 CFM (7.0 m ³ /min.)	12DC	12.0	15A	7.0 (3.2 kg.)
35440-0010	250 CFM (7.0 m ³ /min.)	24DC	5.3	7-1/2A	7.0 (3.2 kg.)
35440-0020	250 CFM (7.0 m ³ /min.)	32DC	4.0	6A	7.0 (3.2 kg.)

INSTALLATION

INSTALLATIONS MUST MEET APPLICABLE SECTIONS OF TITLE 33, PART 183; SUBPART K, USCG VENTILATION REGULATIONS.

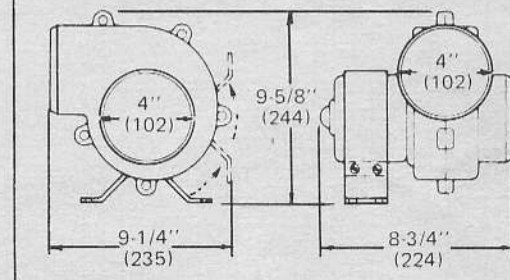
MOUNTING: Mount blower on flat bulkhead surface in highest part of compartment free from spray or deck wash. Blower may be rotated in mounting bracket to facilitate the shortest route of ducting. Use a suitable discharge fitting so that static pressure of blower will not be affected by change in wind direction. Route inlet ducting with as few bends as possible to lower 1/3 of the bilge compartment where vapors are likely to accumulate. Be sure ducting is positioned below top of engine stringers but not so low as to become submerged in bilge water. Locate pickup to take advantage of natural air flow direction. If installed as galley ventilator blower should be mounted away from extreme heat.

WIRING: Use stranded copper wire. For lengths up to 25 feet (7.6M) from power source: Use 12 gauge wire for 12 volt, 14 gauge wire for 24 volt, and 10 gauge wire for 32 volt models. Use larger wire for longer lengths. Use a 10 amp rated on-off switch in positive side of circuit (PAR Model 44960-0002). Circuit must be protected with a fuse. Suggested fuse sizes are listed in the specification table.

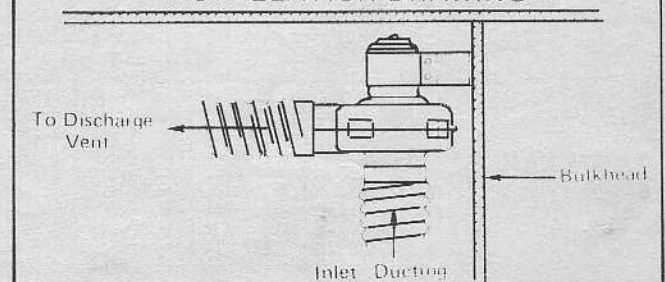
OPERATION: *Gasoline Vapors Can Explode.* Before starting engine, operate blower for 4 minutes and check engine compartment for gasoline vapors.

THE "WARNING" PLACARD SUPPLIED WITH BLOWER MUST BE MOUNTED ADJACENT TO IGNITION SWITCHES (ALL LOCATIONS).

DIMENSIONAL DRAWING (Metric dimensions in parentheses)

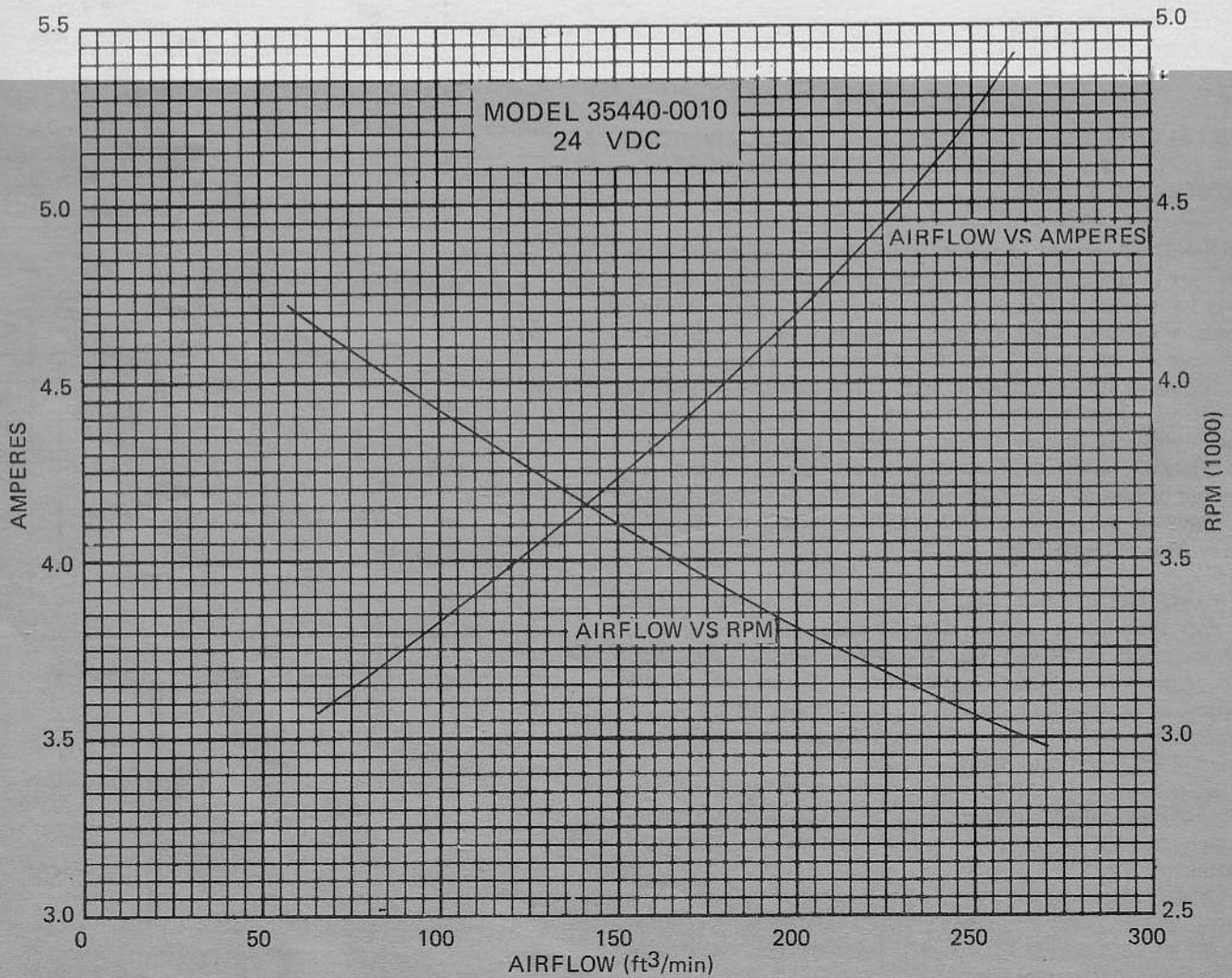
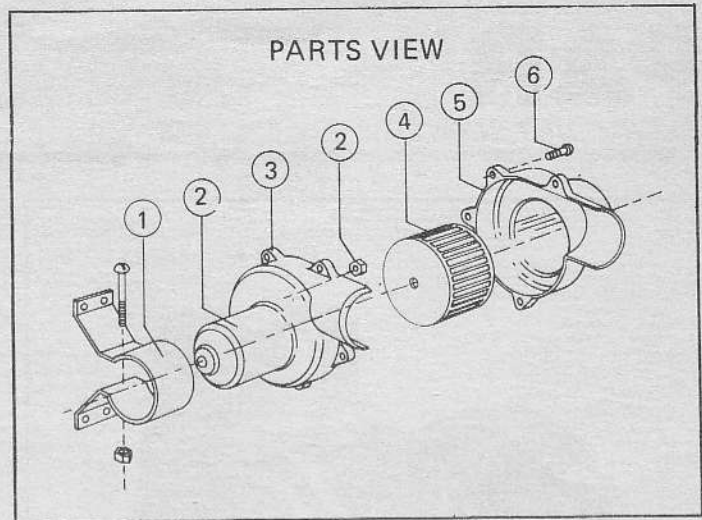


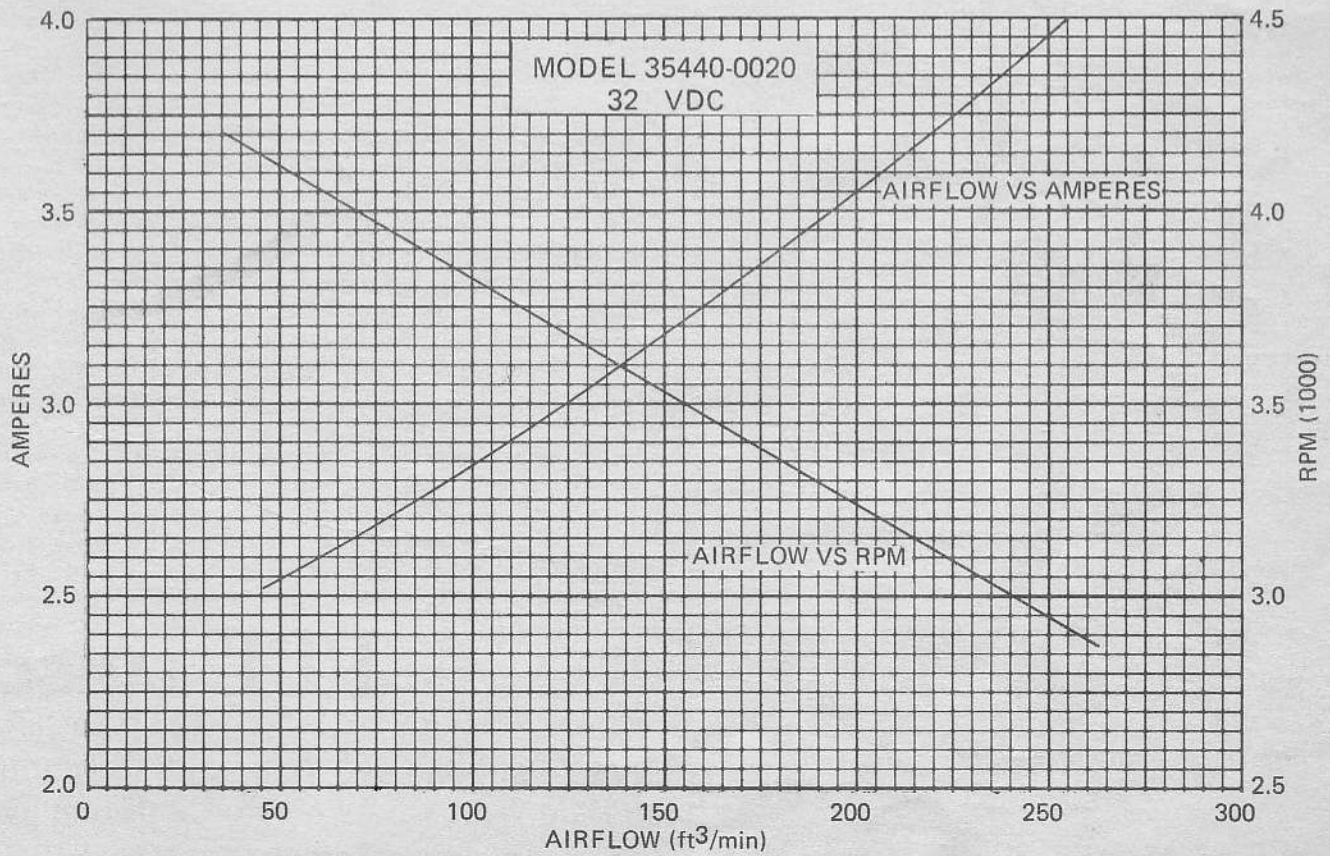
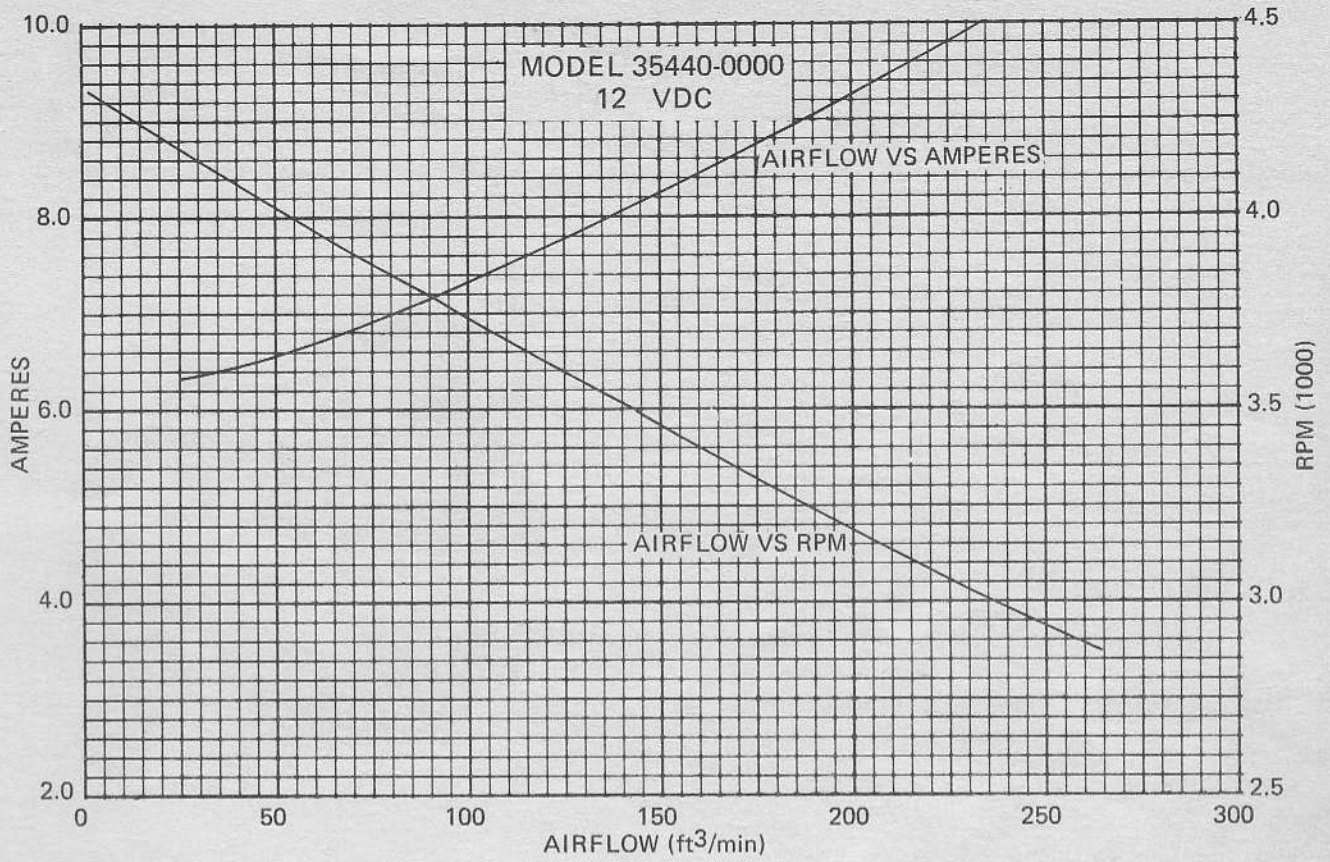
INSTALLATION DRAWING



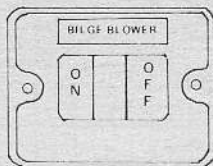
PARTS LIST

Key	Part Description	35440-Series	Qty.
1	Bracket Assembly (includes screw & nut)	35715-0000	1
2	Motor Kit		1
	12VDC	30200-0000	
	24VDC	30200-0010	
	32VDC	30200-0020	
3	Blower Housing	35645-0000	1
4	Blower Wheel	35714-0000	1
5	Blower Housing	35644-0000	1
6	Housing Screw	34743-0000	5
7	Warning Label for Diesel Applications	43003-0544	10

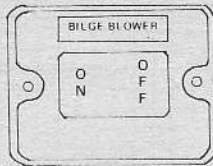




PAR MARINE SWITCH PANELS



44960-0002
LIGHTED SWITCH
W/BOOT SPST



44960-0003
UNLIT
SPST

ITT JABSCO

MARC Division

International Telephone and Telegraph Corporation
1485 Dale Way, Costa Mesa, California 92626

Telephone: (714) 545-8251