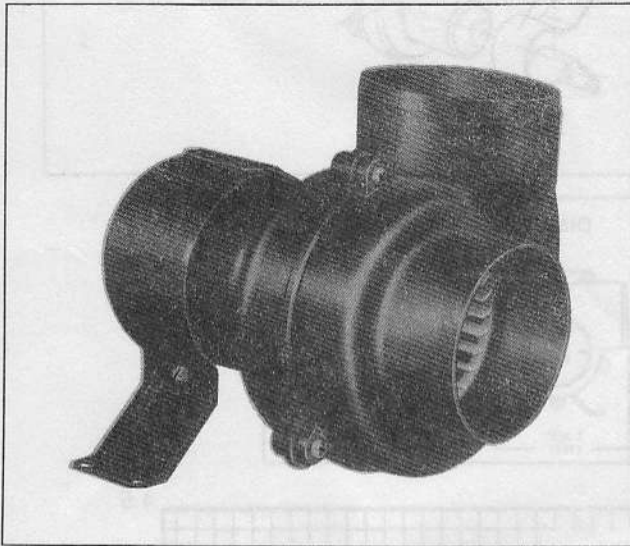


**PAR**®

# Model 34754-0000



## FLEXMOUNT BLOWER 115 VOLT AC

### FEATURES

- Tough Reinforced Plastic Housing
- Continuous-Duty Motor With Thermal Overload Protector
- Mounts To Any Flat Surface
- Slip-On Inlet Ducting Connection
- Efficient High Volume Air Flow
- Low Current Draw
- Corrosion-Resistant Materials Throughout

### SPECIFICATIONS

Air Flow:	100 ft <sup>3</sup> /min. (2,8 m <sup>3</sup> /min.)
Voltage:	115 Vac
Fuse Size:	0.75 Amp AGC (optional)
Weight:	5 lb. (2,3 kg)

### ⚠ MOTOR WARNING



MOTOR CAN SPARK.  
EXPLOSION & DEATH  
CAN OCCUR.  
DO NOT USE WHERE  
FLAMMABLE VAPORS  
ARE PRESENT

### APPLICATION

The PAR 115 Vac blower is ideal for ventilating cabin odors which may be present in galleys, heads or locker areas. It may also be used for engine room ventilation on vessels with diesel powered engines only. **THIS BLOWER IS NOT IGNITION PROTECTED. DO NOT USE TO EXHAUST FLAMMABLE VAPORS SUCH AS GASOLINE FUMES OR MOUNT IN AN AREA WHICH MAY CONTAIN FLAMMABLE VAPORS.** The blower is also suitable for general air circulation when 115 Vac power consumption is preferred.

### INSTALLATION

**MOUNTING:** Mount blower on flat bulkhead surface in highest part of compartment free from spray or deck wash. Blower may be rotated in mounting bracket to facilitate the shortest route of ducting. Use a suitable discharge fitting so that static pressure of blower will not be affected by change in wind direction.

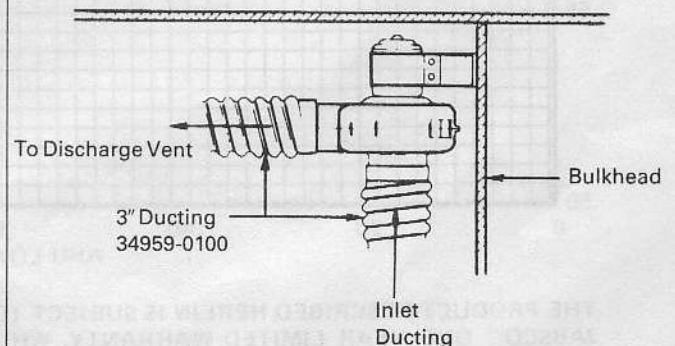
PAR ventilator intake screen No. 34764-000 provides a safe and attractive protected inlet.

**NOTICE:** If installed as galley ventilator, blower should be mounted away from extreme heat (more than 130°F) to prevent distortion of blower wheel or housing.

**WIRING:** All wiring should be done by a qualified electrician and conform with USCG regulations. A minimum of 16 gauge THW wire should be used for lengths of up to 50 feet from the power source. The ungrounded (black) conductor may include a 0.75 Amp AGC fuse installed near the power source to protect the circuit.

A switch of minimum 5 Amp rating may also be installed in ungrounded conductor (between fuse and blower) to control blower operation. The neutral conductor (white) should be connected directly from the neutral buss to the blower motor. A separate ground wire (green) should be secured to the grounding wire riveted to the motor case and connected to the vessel's common ground.

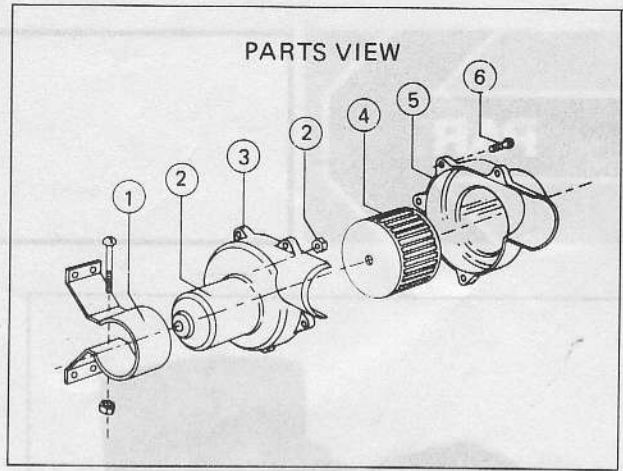
### INSTALLATION DRAWING



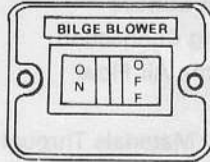
Model 34754-0000

**PARTS LIST**

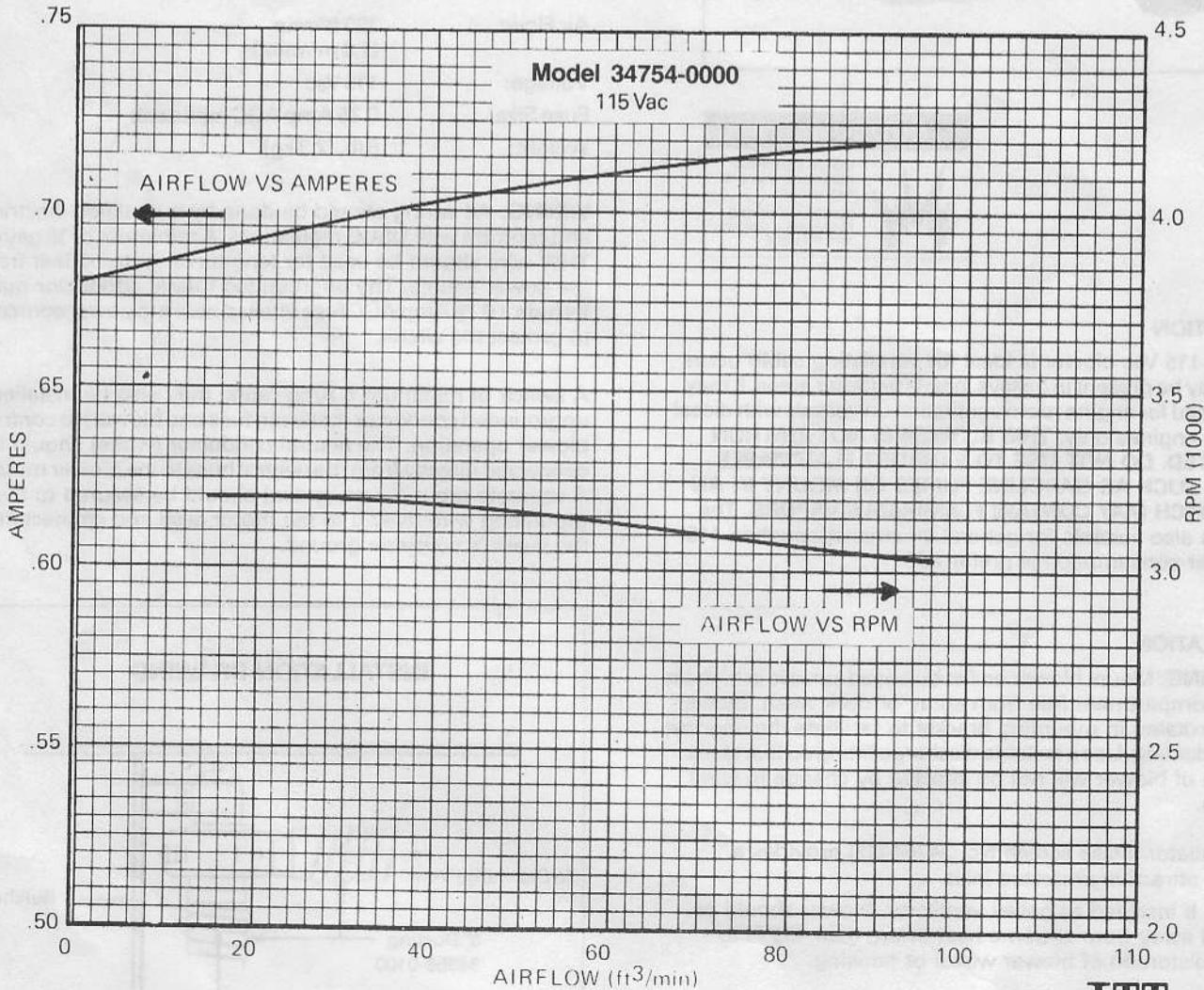
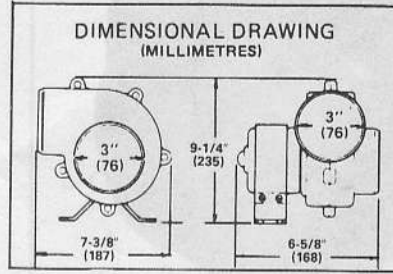
Key	Part Description	Part Number	Qty.
1	Bracket Assembly (includes screw & nut)	44093-0000	1
2	Motor Kit	34848-0000	1
3	Blower Housing	35772-0000	1
4	Blower Wheel	34742-0000	1
5	Blower Housing	35773-0000	1
6	Screw 8 x 5/8 SS Self Tapping Pan Head	35508-0000	5



**PAR MARINE SWITCH PANELS**



**44960-0003**  
UNLIGHTED  
SPST



THE PRODUCT DESCRIBED HEREIN IS SUBJECT TO THE JABSCO<sup>®</sup> ONE YEAR LIMITED WARRANTY, WHICH IS AVAILABLE FOR YOUR INSPECTION UPON REQUEST.

**ITT JABSCO**

A Unit of ITT Corporation

1485 Dale Way, P.O. Box 2158

Costa Mesa, CA 92628-2158

Telephone: (714) 545-8251

Form 43000-0501 Rev. 10/88