

INSTALLATION

MOUNTING

Mount upright in a dry location (above highest bilge water level) on a solid surface. Adjust belt tension for 1/4 inch play between pulleys.

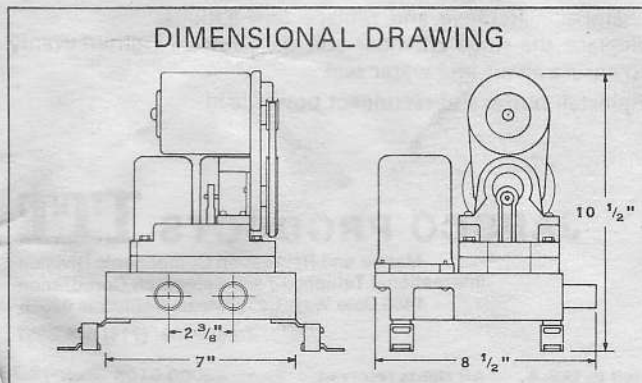
PLUMBING

For intake and discharge use 1" I.D. non-collapsible hose. Keep intake and discharge lines free of kinks and restrictions. For separate pump out of fore and aft bilge compartments, use ball valves to shut off dry compartment. Use a 1" bilge strainer (PAR Model 35890-0010) in the intake line from the bilge to protect pump from debris.

WIRING

Wire pump in a circuit independent of all other electrical fixtures. Use stranded copper wire. Install fuse in positive circuit. See table for recommended wire and fuse size. See diagram for wiring connections. Use a 10 amp-rated switch (JABSCO 3-way switch Model 96070-0110 or PAR 44960-0000). After installation, it is recommended that voltage be checked at the motor terminals with motor operating under full load and all other appliances in the circuit operating. Voltage should not be less than 90% of rated motor voltage.

DIMENSIONAL DRAWING



FEATURES

- Self-Priming
- Diaphragm Design Allows Dry Running
- Quiet Operation
- Large Surge Chamber for Even Water Flow
- Permanently Lubricated Ball Bearings on Shaft and Connecting Rod
- Large Vibration Absorbing Pads
- Corrosion Resistant Materials Throughout for Sea Water Service

This pump meets the following U.S. Coast Guard Regulations:

- Electrical Requirements (Title 33, Chapter 1, Subpart 183.410) for Pleasure Craft.
- Flow Requirements (Title 46, Chapter 1, Subchapter T, Section 182.25-10) for Small Passenger Vessels.

This pump listed as BIA accepted

SPECIFICATIONS

Open Flow: 10.8GPM
 Vert. Dry Suction Lift: 10 feet (3 m)
 Ports: 1" Slip-on Hose
 Weight: 13 Lbs. (5.9 kgs.)

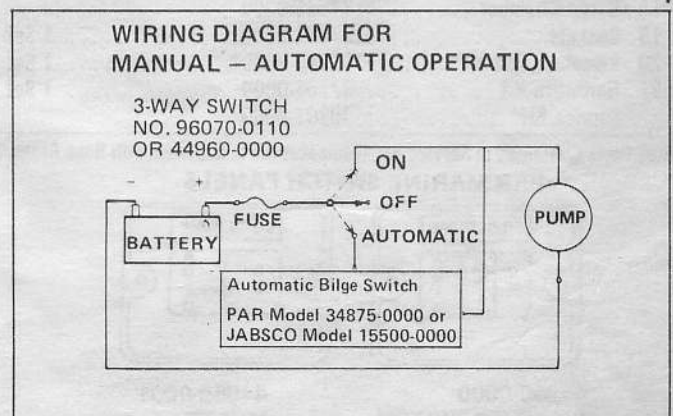
STANDARD MODELS

| Model | Voltage | Amperage Nominal |
|------------|---------|------------------|
| 34600-0000 | 12 VDC | 9.5 |
| 34600-0010 | 24 VDC | 4.5 |
| 34600-0020 | 32 VDC | 3 |
| 34600-0030 | 115 VAC | 2 |

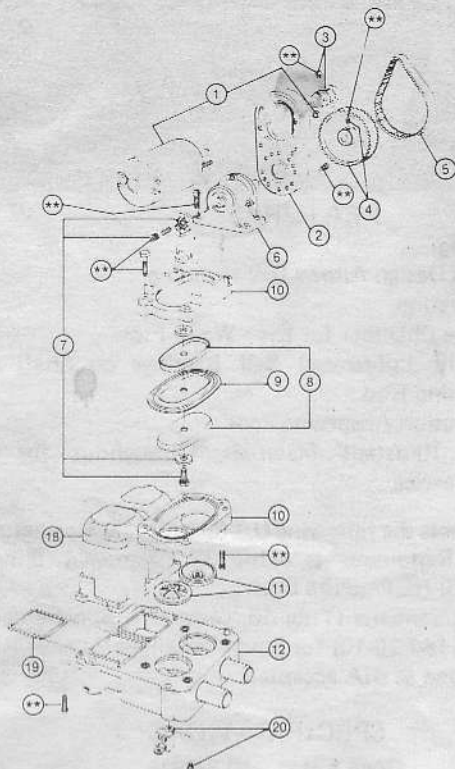
WIRE & FUSE SIZE

| Wire Length Between Battery and Motor | Model 34600-0000 12 Volt | Model 34600-0010 24 Volt | Model 34600-0020 32 Volt | Model 34600-0030 115 Volt |
|---------------------------------------|-----------------------------|-----------------------------|-----------------------------|------------------------------|
| 1 - 25 feet | 12 AWG | 14 AWG | 16 AWG | 16 AWG |
| 25 - 50 feet | 10 AWG | 14 AWG | 14 AWG | 16 AWG |
| Fuse Size: Slo-Blo | 10 AMP | 5 AMP | 4 AMP | 2 AMP |
| Normal | 15 AMP | 7 AMP | 5 AMP | 3 AMP |

WIRING DIAGRAM FOR MANUAL - AUTOMATIC OPERATION



EXPLODED VIEW



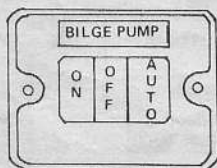
**Indicates items included in Hardware Kit (Key 21)

PARTS LIST 34600-Series

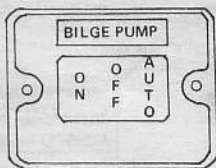
| Key | Part Description | Part Number | Qty |
|-----|----------------------------|-------------------|-------|
| 1 | Motor Kit 12 Volt D.C. | 30200-0000 | 1 |
| 1 | Motor Kit 24 Volt D.C. | 30200-0010 | |
| 1 | Motor Kit 32 Volt D.C. | 30200-0020 | |
| 2 | Motor Mount | 34628-0000 | 1 |
| 3 | Small Pulley | 37169-0000 | |
| 4 | Large Pulley | 37170-0000 | |
| 5 | Belt | 30021-0000* | 1 |
| 6 | Jack Shaft Assembly | 35037-0000 | |
| 7 | Connecting Rod Kit | 37172-0000 | 1 |
| 8 | Diaphragm Plates | 34640-0000—Top | 1 |
| | | 34637-0000—Bottom | 1 |
| 9 | Diaphragm | 30012-0000* | 1 |
| 10 | Retainer | 34633-0000—Top | 1 |
| | | 34634-0000—Bottom | 1 |
| 11 | Valve Set (Inlet & Outlet) | 30002-0000**† | 1 Set |
| 12 | Base Assembly† | 34623-0000† | 1 |
| 18 | Surge Chamber | 34635-0000 | |
| 19 | Gaskets | 37181-0000 | 1 Set |
| 20 | Vibration Pad Kit | 37180-0000† | 1 Set |
| 21 | Hardware Kit | 37164-0000 | 1 Set |
| | Service Kit* | 30101-0000 | |

*Indicates Parts Contained in Service Kit. †Indicates Parts Supplied with Base Assembly.

PAR MARINE SWITCH PANELS



44960-0000
LIGHTED SWITCH
W/BOOT SPDT



44960-0001
UNLIT
SPDT

MAINTENANCE

WINTER STORAGE: When possible it is preferred that the complete pump or at least motor, diaphragm and valves be removed and stored in a warm dry place. If this is not possible the pump must be completely drained, hoses removed and pump run until all water is expelled.

SERVICE

TROUBLE SHOOTING

| Problems | Causes |
|---------------------------|---|
| Loss of suction to pump. | - Air leak in suction line. - Bilge pickup not submerged. - Intake hose kinked or plugged. - Fouled intake or discharge valve. |
| Rough or noisy operation. | - Intake or discharge hose kinked or plugged. - Pump not mounted firmly. - Loosened eccentric screw. |

VALVE REPLACEMENT

1. Turn off power to pump. Remove four tie down bolts.
2. Expose valves by lifting jack shaft and attached diaphragm assembly from pump base. Remove and clean or replace valves.
3. Install valves, making sure rubber flapper is UP on intake and DOWN on discharge.
4. Replace motor-mount-diaphragm assembly and fasten evenly to base with the four tie down bolts and washers.

DIAPHRAGM AND CONNECTING ROD REPLACEMENT

1. Turn off power to pump. Remove four tie down bolts.
2. Lift jack shaft and the attached diaphragm assembly from pump base.
3. Remove two diaphragm retainer screws and the bottom diaphragm retainer.
4. Remove eccentric screw. Remove connecting rod and diaphragm from the top diaphragm retainer, then unscrew bolt to separate diaphragm and plates.
5. Check diaphragm for cuts and cracks. Check rod assembly bearing for excessive wear. Replace if badly worn.
6. Loosely reassemble diaphragm, diaphragm plates, connecting rod spacer and diaphragm bolt onto connecting rod. Firmly secure connecting rod to jack shaft with the eccentric screw. Secure diaphragm to upper diaphragm retainer with the bottom diaphragm retainer and two screws.
7. Tighten connecting rod bolt.
8. Replace motor-mount-diaphragm assembly and fasten evenly to base with the four tie down bolts and washers.

SURGE CHAMBER GASKET REPLACEMENT

1. Remove six surge chamber screws and lift off the surge chamber. Remove and replace two gaskets.
2. Replace the surge chamber and six screws. Tighten evenly to ensure an air and water seal.
3. Reinstall pump and reconnect power leads.

JABSCO PRODUCTS **ITT**

Marine and Recreation Components Division
International Telephone and Telegraph Corporation
1485 Dale Way, Costa Mesa, California 92626

Telephone: (714) 545-8251