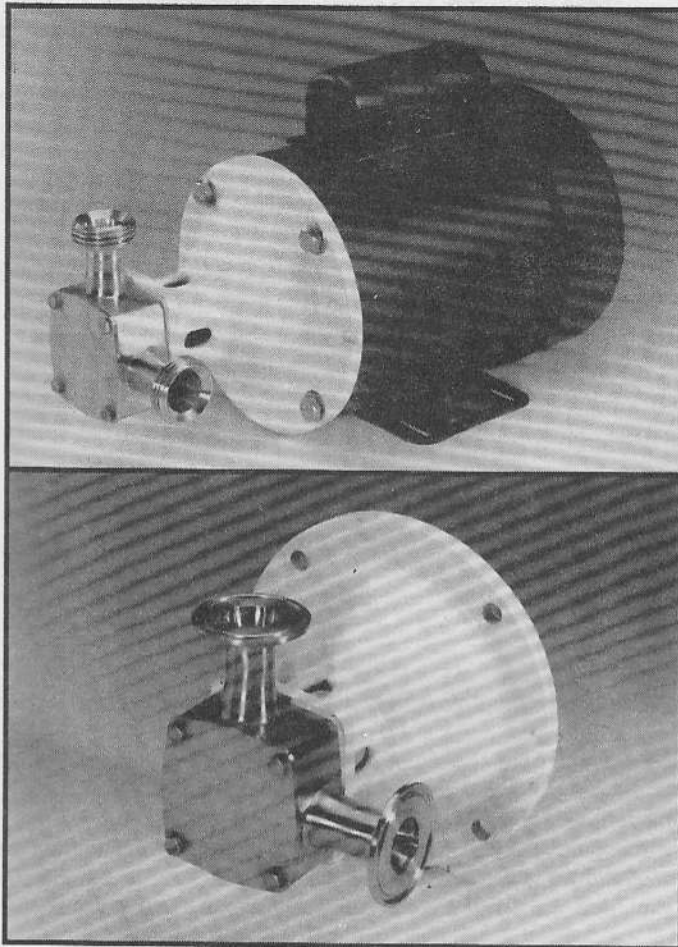


JABSCO®

**Models 30550-2XXX
30550-3XXX
30550-4XXX
30550-5XXX**

**Models 30550-2XXX, 30550-3XXX
30550-4XXX, 30550-5XXX**



SELF-PRIMING PUMPS

FEATURES

- Pump Type:** 30550-2XXX Pump Head
30550-3XXX Pump Head
30550-4XXX Close Coupled
30550-5XXX Close Coupled
- Body:** 316 Stainless Steel
- Impeller:** Neoprene
- Shaft Seal:** Mechanical; Carbon-on-Ceramic or Tungsten Carbide; Nitrile
- Ports:** 1" ACME Threads with Bevel Seat or Clamp Type
- Shaft:** 316 Stainless Steel
- Motor:** 115 Vac, Single Phase, 60Hz, 3/4 HP, 1750 RPM, TEFC, C-Face, 56C Frame
- Weight:** 30550-2XXX 7.5 lbs (3,4 kg) Approx.
30550-3XXX 7.5 lbs (3,4 kg) Approx.
30550-4XXX 36.0 lbs (16,3 kg) Approx.
30550-5XXX 36.0 lbs (16,3 kg) Approx.

VARIATIONS AVAILABLE

MODEL	DESCRIPTION
30550-2005 30550-4005	Standard Pressure, Neoprene Impeller, Carbon Seal, ACME Ports
30550-2105 30550-4105	Standard Pressure, Neoprene Impeller, Tungsten Carbide Seal, ACME Ports
30550-3005 30550-5005	Standard Pressure, Neoprene Impeller, Carbon Seal, Clamp Ports
30550-3105 30550-5105	Standard Pressure, Neoprene Impeller, Tungsten Carbide Seal, Clamp Ports

⚠ MOTOR WARNING

MOTOR CAN SPARK. EXPLOSION & DEATH CAN OCCUR.

DO NOT USE WHERE FLAMMABLE VAPORS ARE PRESENT.

APPLICATIONS

DAIRY: Transfer and processing of raw milk, cream, milk whey, buttermilk, condensed milk.

FOODS: Processing of eggs, sugar liquors, brines, catsup, chocolate, glaze, gelatin, honey, jams, jellies, mayonnaise, molasses, mustard, pickle relish, vinegar, water, yeast slurries, syrups, liquids containing solids in suspension such as chopped tomatoes, nuts, peanut butter.

BEVERAGE: Circulating and transferring alcohols, beers, brewery slop, cider, distillery wort, extracts, flavors, juice, mash, soft drink syrups, wines.

PHARMACEUTICAL: Moving medicines, cosmetics, process chemicals, lotions, preparations, filtering solutions, used as a filling line supply pump.

WARNING: Do not pump solvents, thinners, or gasoline as explosion may result causing property damage, severe personal injury or death.

OPERATING INSTRUCTIONS

1. **INSTALLATION** – Pump may be mounted in any position. The rotation of the pump shaft determines the location of the pump's intake and discharge ports. Refer to dimensional drawing. Pump is normally assembled at factory for clockwise rotation looking at end cover. If counterclockwise rotation is desired, follow steps 1 and 2 of disassembly and step 9 of assembly instructions to change direction of impeller blade deflection under cam.
2. **MOTOR SELECTION** – Pump Head is designed to fit a 56C Frame NEMA C-Face Motor. Motor should be rated 3/4 horsepower at 1750 RPM with a service factor of one. Due to high bearing loads, motor should be ball bearing equipped with the front bearing locked against axial movement. Motor should be capacitor start and foot mounted.

3. **SPEEDS** – 100 RPM to the maximum shown in the performance curves. For longer pump life, operate at lowest possible speeds. Lower speeds are required for viscous liquids. Consult the factory for proper speeds and horsepower requirements.
4. **SELF-PRIMING** – Primes at low or high speeds. For vertical dry suction lift of 10 feet, a minimum of 800 RPM is required. Pump will produce suction lift up to 22 feet when wet. **BE SURE SUCTION LINES ARE AIRTIGHT OR PUMP WILL NOT SELF-PRIME.**
5. **DISCHARGE** - When transferring liquids further than 25', use one size larger discharge line than discharge port size.
6. **RUNNING DRY** – Unit depends on liquid pumped for lubrication. **DO NOT RUN DRY** for more than 30 seconds. Lack of liquid will damage the impeller.
7. **PUMPAGE COMPATIBILITY** – Consult the Chemical Resistance Guide in the JABSCO Industrial Pump Catalog (available upon request from ITT Jabsco) or factory for proper body materials and impeller compounds. If corrosive fluids are handled, pump life will be prolonged if pump is flushed with a neutralizing solution after each use or after each work day. A Tungsten Carbide Seal variation is available for pumping liquids that contain abrasives or are highly corrosive.
8. **PRESSURES** – Consult Performance Curves for maximum recommended pressures for pump in continuous operation. If pressures exceed those shown, consult the factory.
9. **TEMPERATURES** – The operating temperature limits of the pump depends on the impeller compound. The following ranges apply: Neoprene - 45° to 150° F (7° to 65° C).
10. **IMPELLER TORQUE** – The torque required to initiate rotation of a new impeller in a dry pump body is:
 Standard Pressure Impeller (7614-SERIES):
 Forward = 1.5 pounds force – feet
 Reverse = 4.3 pounds force – feet
 These values may vary slightly due to impeller compounding, blade set, and body material of construction. Consult factory for more information.
11. **CLEANING** – Before using pump it should be disassembled and cleaned to remove any dust and dirt resulting from storage or shipping. Wash parts in standard cleaning solutions approved for handling stainless steel. Thoroughly rinse before reassembly. **DO NOT USE IODINE BASED SANITIZERS** as the iodine attacks the elastomer materials used in the impeller.

 All parts have been expertly machined and polished. **HANDLE WITH CARE. DO NOT DROP OR MISHANDLE.**
12. **SPARE PARTS** – To avoid costly shutdowns, keep a spare JABSCO impeller, seal and O-ring set on hand.

SERVICE INSTRUCTIONS

DISASSEMBLY

1. Remove the four end cover screws. Remove end cover and O-ring.
2. Remove the four screws, holding the body to the adapter flange. Slide body, complete with impeller and wearplate, from adapter and shaft.
3. Remove mechanical seal by inserting two screwdrivers behind seal collar, and gently lever collar and seal assembly forward on shaft. Use extreme care not to mar shaft surface. Remove seal seat and rubber cup from recess in wearplate.
4. Remove the four screws holding the adapter to the motor and remove the adapter.
5. Stub shaft is held in place with set screws and Loctite* RC/680 retaining compound. Extreme care must be taken not to damage the motor shaft and bearings when removing the stub shaft. Heat shaft joint area to facilitate disassembly of set screws and stub shaft from motor shaft. **DO NOT EXCEED 350°F** when heating joint area. Once joint area has been heated, remove set screws and slide stub shaft from motor shaft.

ASSEMBLY

1. Liberally apply Loctite RC/680 retaining compound to the motor shaft and slide the stub shaft on, positioning the base of the stub shaft 0.37" from the bolt mounting surface of motor. For clarification refer to figure 1 below. Loctite aids in preventing fretting and subsequent shaft failure. Wipe off excess Loctite. Apply Loctite to the four set screws and torque to 85 - 90 in. lbs.
2. Replace the adapter on the motor and tighten the four mounting screws to 20 ft. lbs.
3. Replace mechanical seal by sliding spacer onto shaft up to locating shoulder, then smear shaft with light lubricating oil. Push on seal gently until it engages with spacer. Fit rubber cup and seal seat into wearplate.
4. Insert impeller in pump body, fit O-ring in each end of the pump body.
5. Slide wearplate and body assembly over shaft, position wearplate in housing. Fit body to pedestal with screws. Torque screws to 20 in. lbs.

Note: A gap should be maintained between bearing housing and body. **DO NOT** overtighten screws.

6. Fit end cover and end cover screws. Torque screws to 20 in. lbs.
7. Changing Pump Rotation (looking at end cover):
 Clockwise Rotation: Insert impeller into pump body with blades bending counterclockwise
 Counterclockwise Rotation: Insert impeller into pump body with blades bending clockwise.

Loctite* is a trademark of Loctite Corporation.

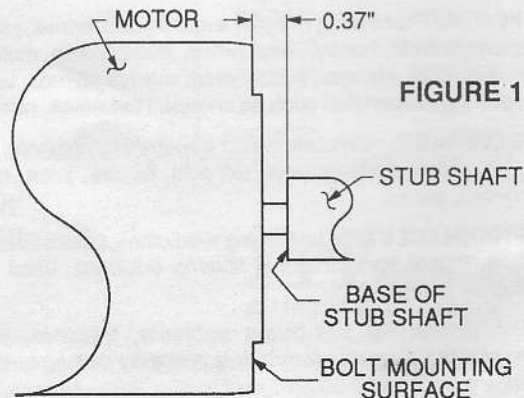
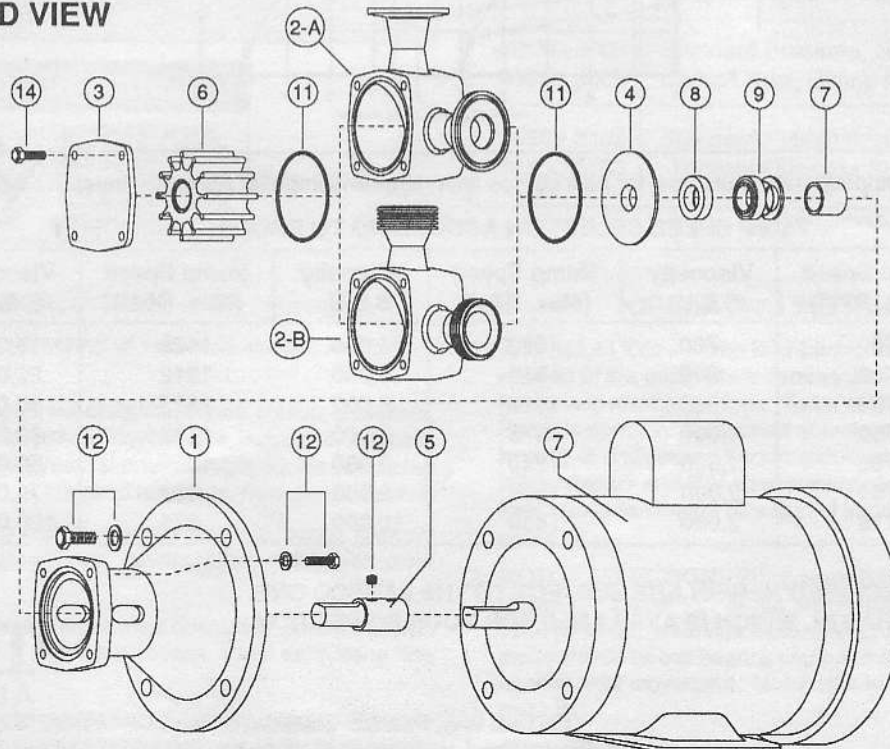


FIGURE 1

PARTS LIST

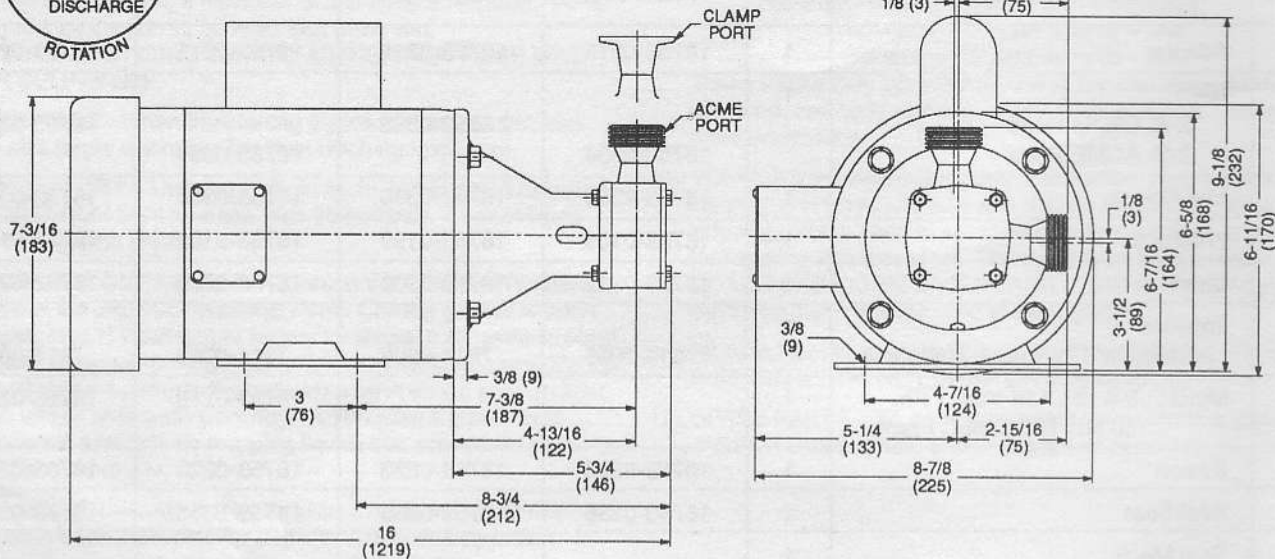
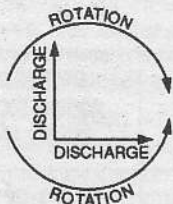
KEY	DESCRIPTION	QTY. REQ.	MODEL 30550-2XXX PART NO.	MODEL 30550-3XXX PART NO.	MODEL 30550-4XXX PART NO.	MODEL 30550-5XXX PART NO.
1	Adapter	1	18753-0215	18753-0215	18753-0215	18753-0215
2	Body: 2-A. Clamp Ports 2-B. ACME Ports	1	18753-0354	18753-0353	18753-0354	18753-0353
3	End Cover	1	18753-0355	18753-0355	18753-0355	18753-0355
4	Wearplate	1	18753-0199	18753-0199	18753-0199	18753-0199
5	Shaft	1	18753-0209	18753-0209	18753-0209	18753-0209
6	Impeller: Standard Pressure – Neoprene	1	7614-0005	7614-0005	7614-0005	7614-0005
7	Motor: 3/4 HP, 115 Vac, 1 Ph, 60 Hz, TEFC, 56C Frame	1			18753-0219	18753-0219
8	Spacer	1	18753-0223	18753-0223	18753-0223	18753-0223
9	Seal Seat	1	18753-0356	18753-0356	18753-0356	18753-0356
10	Seal Mech.: Carbon – Nitrile Tungsten Carbide – Nitrile	1	18753-0357 18753-0358	18753-0357 18753-0358	18753-0357 18753-0358	18753-0357 18753-0358
11	O-Ring: Nitrile	2	18753-0261	18753-0261	18753-0261	18753-0261
12	Screw Kit: Consists of Screw, Hex Hd. 3/8-16x1" (4) Screw, Hex Hd. M5x16mm (4) Screw, Hex Hd. M5x8mm (4) Set Screw, Cup Pt. 1/4-20x1/4 (4) Washer, Flat 3/8 (4) Washer, Flat M5 (4)	1	18753-0278	18753-0278	18753-0278	18753-0278

EXPLODED VIEW

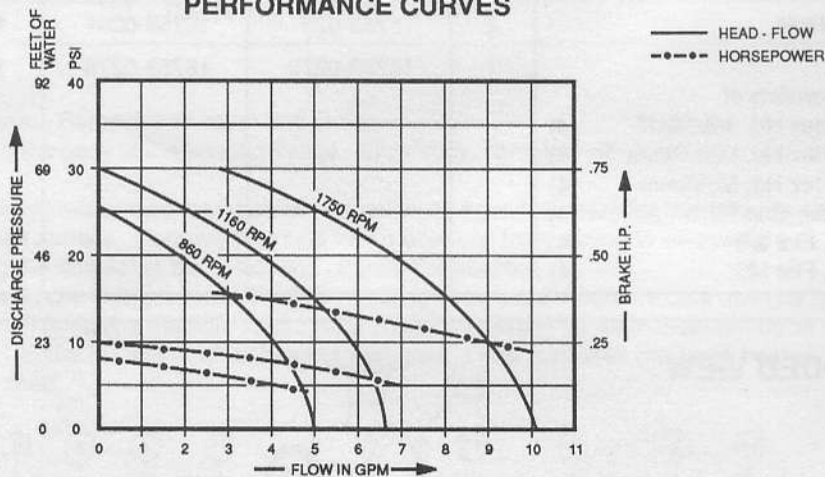


DIMENSIONAL DRAWINGS

INCHES (Millimetres)



PERFORMANCE CURVES



NOTE: Curves show approximate head flow for new pumps with neoprene impeller pumping water.

PUMP SPEED SELECTION ACCORDING TO PRODUCT VISCOSITY

Viscosity S.S.U.	Pump Speed (Max. RPM)	Viscosity S.S.U.	Pump Speed (Max. RPM)	Viscosity S.S.U.	Pump Speed (Max. RPM)	Viscosity S.S.U.	Pump Speed (Max. RPM)
50	1750	700	1680	4,000	1400	15,000*	787
100	1750	800	1645	5,000	1312	20,000*	700
200	1750	900	1610	6,000	1225	30,000*	612
300	1750	1,000	1575	7,000	1138	40,000*	525
400	1750	1,500	1540	8,000	1050	50,000*	437
500	1750	2,000	1505	9,000	962	75,000*	298
600	1715	3,000	1450	10,000	875	100,000*	175

* Use High Pressure Impeller

THE PRODUCTS DESCRIBED HEREIN ARE SUBJECT TO THE JABSCO ONE YEAR LIMITED WARRANTY, WHICH IS AVAILABLE FOR YOUR INSPECTION UPON REQUEST.

ITT JABSCO

A Unit of ITT Corporation

1485 Dale Way, P.O. Box 2158, Costa Mesa, CA 92628-2158, Telephone: (714) 545-8251
Bingley Road, Hoddesdon, Hertfordshire EN11 0BU England, Telephone: +44-992-467191