

JABSCO®

Model 30295-Series

FLOAT SWITCH

GENERAL INFORMATION

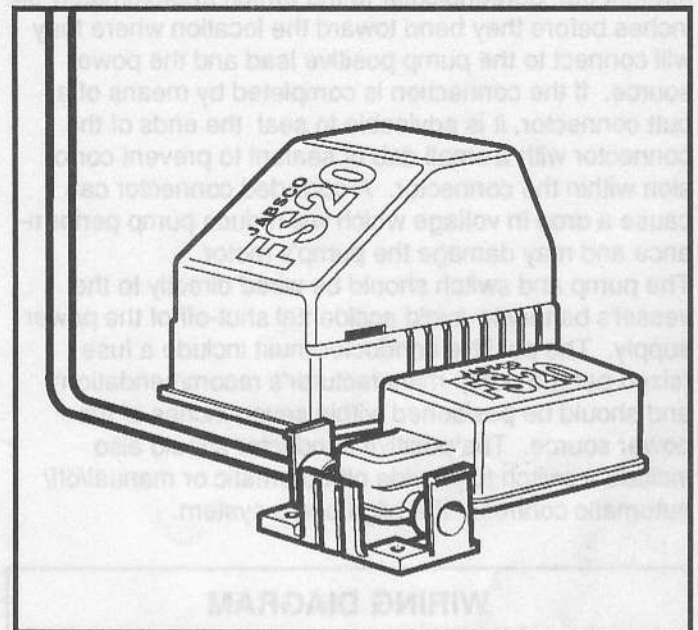
The FS20 Float Switch is an economical means of providing reliable, automatic control of any 6 volt - 32 volt pump requiring up to 20 amps of current.

It will turn on the pump that it controls when the water surrounding the switch has risen to a depth of approximately 2-1/8" and turn it off when the surrounding water is reduced to a depth of 7/8". Because the FS20 operates on the proven rolling ball design, it contains no liquid mercury.

Its tough non-corrosive ABS housing and marine grade 36" long 16 gauge wire leads will withstand typically harsh bilge environments. The frictionless pivot/mounting pad fastens to any bilge surface or directly to any 1750, or larger, Jabsco bilge pump with the attachment clip that comes with the pump.

The switch guard can be installed around the switch to protect it from being accidentally jammed in the "On" or "Off" position by floating bilge debris.

The switch can also be used to activate an alarm to serve as a high bilge water warning system.



Model 30295-Series

MODEL VARIATIONS

| | |
|------------|--------------------------|
| 30295-0000 | Switch Only |
| 30295-1000 | Switch with Debris Guard |
| 30294-1000 | Switch Guard Only |

INSTALLATION

The switch should be mounted near to and parallel with the vessel's keel. It should be installed in an area that will allow the wire leads to extend straight out, perpendicular to the switch approximately six inches before they bend towards the location where they will connect with the pump positive lead and power source. This will ensure unrestricted float action. It should be installed with the float housing pointed towards the stern (hinge/mounting pad forward). Secure the switch to a mounting surface which is on the same level or slightly higher than the inlet port of the pump. If the switch is positioned lower than the pump inlet port it is possible the pump may continue to run because it may not reduce the water level enough for the switch to reach its off position.

The switch may be fastened to its mounting surface with number 8 or 10 screws either 3/8" or 1/2" long. If fastening the switch directly to the hull it is important to know the thickness of the bottom and ensure the screws' length will not penetrate it. Position the switch and mark the location of the mounting holes in the hinge/mounting bracket. Using the appropriate size bit, very carefully drill the two mounting holes ensuring the bit does not go deeper than required. Secure the switch to the mounting surface with two screws.

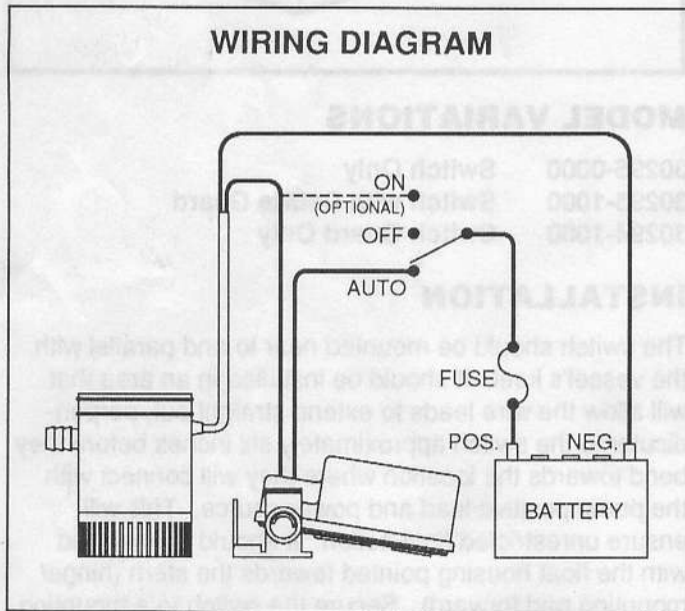
| Model Number | Description | DIMENSIONS - in (mm) | | |
|--------------|----------------------------|----------------------|--------------|---------------|
| | | HEIGHT | WIDTH | LENGTH |
| 30295-0000 | FS20 Switch only | 3-3/8 (85,7)* | 3 (76,2) | 4-1/2 (114,3) |
| 30295-1000 | FS20 Switch with Guard | 3-3/4 (95,3) | 3-1/4 (82,6) | 5-1/4 (133,4) |
| 30294-1000 | Switch Guard only for FS20 | 3-3/4 (95,3) | 3-1/4 (82,6) | 5-1/4 (133,4) |

* Height required for maximum float rise.

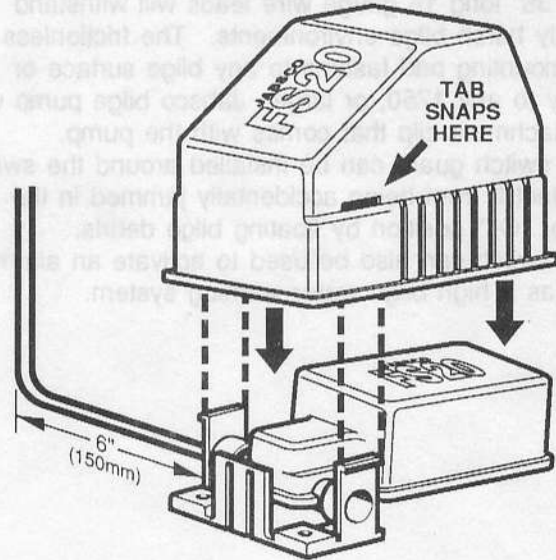
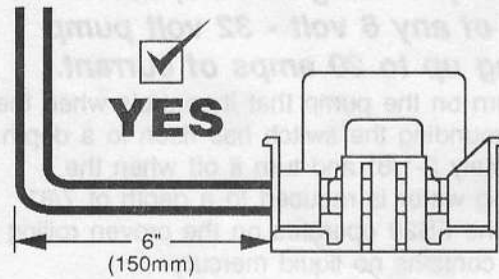
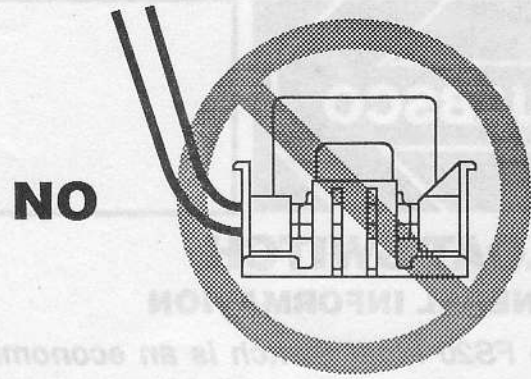
WIRING

The switch wire leads must be connected to the pump's positive conductor which will generally be brown in color if in compliance with A.B.Y.C. recommendations. All connections must be made and retained above the highest expected bilge water level. The wire leads must extend straight out, perpendicular to the switch approximately six inches before they bend toward the location where they will connect to the pump positive lead and the power source. If the connection is completed by means of a butt connector, it is advisable to seal the ends of the connector with a small dab of sealant to prevent corrosion within the connector. A corroded connector can cause a drop in voltage which will reduce pump performance and may damage the pump's motor.

The pump and switch should be wired directly to the vessel's battery to avoid accidental shut-off of the power supply. The positive conductor must include a fuse (sized per the pump manufacturer's recommendation) and should be positioned within seven inches of the power source. The positive conductor should also include a switch to provide off/automatic or manual/off/automatic control of the bilge pump system.



| MAXIMUM ALLOWABLE AMP LOAD | 12 V | 24 V | 32V |
|----------------------------|------|------|-----|
| | 20 | 12 | 9 |



ATTACHING SWITCH GUARD

The protective switch guard is easy to install by simply snapping it onto the switch hinge/mounting pad. Position the guard over the installed switch aligning the cut-out in the side of the guard with the switch wire leads. Slide the guard down over the two vertical locking tabs until the latch on each tab snaps into its respective notch in each side of the guard.

The guard may be removed by pushing each tab latch inward while simultaneously pulling upward on the switch guard.

THE PRODUCT DESCRIBED HEREIN IS SUBJECT TO THE JABSCO ONE YEAR LIMITED WARRANTY, WHICH IS AVAILABLE FOR YOUR INSPECTION UPON REQUEST.

ITT Jabsco

ITT Fluid Technology Corporation
 1485 Dale Way, P.O. Box 2158, Costa Mesa, CA 92628-2158
 Tel: (714) 545-8251; Fax: (714) 957-0609
 Bingley Road, Hoddesdon, Hertfordshire EN11 OBU England
 Tel: 0992-467191; Tlx: 263251 G; Fax: 0992-467132