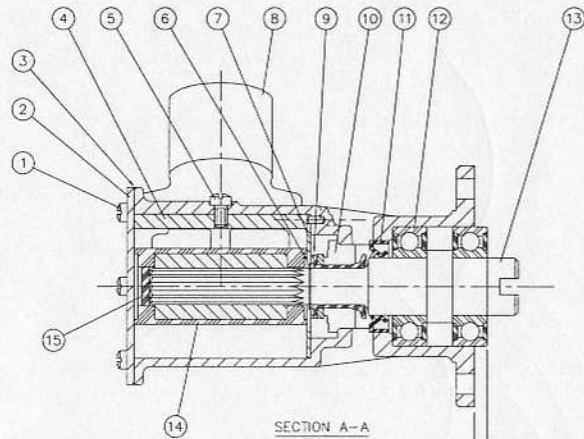


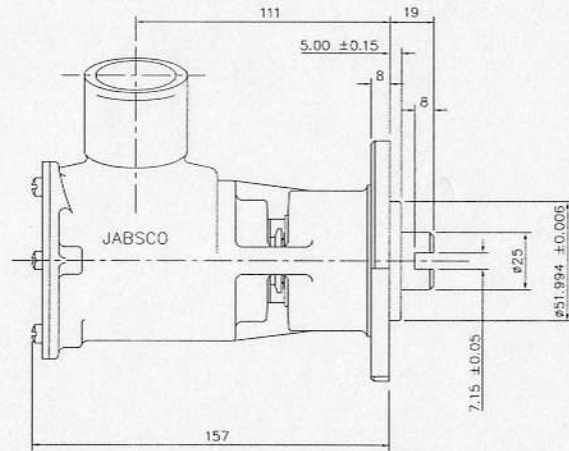
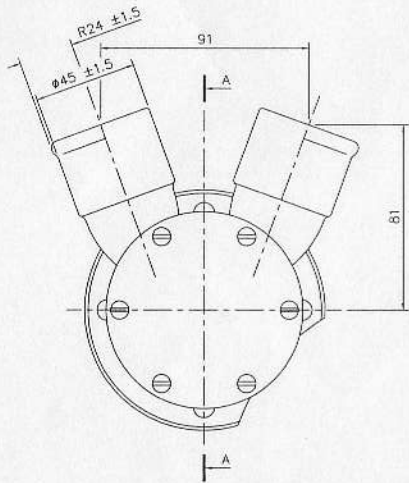
ALL DIMENSIONS IN MILLIMETRES

MODEL NUMBER	CAM
29700-1301	STANDARD FULL (1.00)
29700-1331	SPECIAL (1.10)

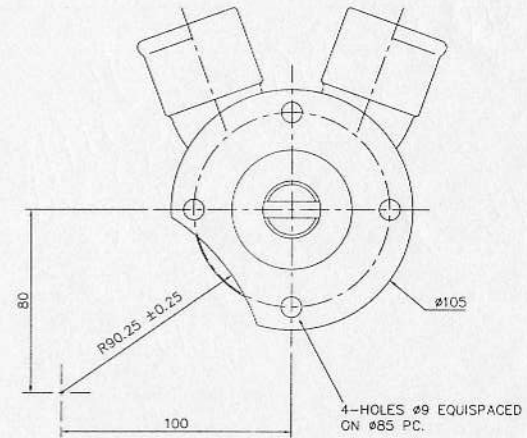


KEY	DESCRIPTION	QTY.	PART NUMBER
1	SCREW	6	SP1003-0111
2	ENDCOVER	1	3993
3	GASKET	1	890
4	CAM	1	23341-0000
5	SCREW	1	SP1004-09
6	RETAINING RING	1	SP1700-62
7	WEARPLATE	1	4156
8	BODY	1	29704-1300
9	SUPPORT WASHER	1	29706-0000
10	MECHANICAL SEAL	1	SP6080-0469
11	LIPSEAL	1	SP2701-0903
12	BEARING	2	SP2600-11
13	SHAFT	1	29707-0000
14	IMPELLER	1	1701B-0001
15	SPLINE SEAL	1	4345

5.25 ± 0.05 DEPTH OF RECESS REQUIRED TO GIVE POSITIVE RETENTION OF BEARING.



120 FLANGE MOUNTED PUMP



B. KISHAN (12/27) A. L. V. (11/28) DATE		NOTICE THIS DRAWING IS THE PROPERTY OF JABSCO. IT IS TO BE USED ONLY FOR THE PURPOSES SPECIFIED THEREIN. IT IS NOT TO BE REPRODUCED, COPIED, OR TRANSMITTED IN ANY FORM OR BY ANY MEANS, ELECTRONIC OR MECHANICAL, INCLUDING PHOTOCOPYING, RECORDING, OR BY ANY INFORMATION STORAGE AND RETRIEVAL SYSTEM, WITHOUT THE WRITTEN PERMISSION OF JABSCO.	JABSCO SHALL HAVE THE RIGHT TO MAKE ANY CHANGES IN THIS DRAWING WITHOUT NOTICE TO THE USER. THE USER SHALL BE RESPONSIBLE FOR THE ACCURACY OF THE DATA OBTAINED FROM THIS DRAWING.	DO NOT SCALE - REPORT ERRORS SCALE: 1:1 DATE: 04/84 DRAWN: JER 12/27 CHECKED: _____ APPROVED: _____	Jabsco 111 East Fairway Corporate HOUSTON, TEXAS 77040 ENGLAND	MATERIAL: _____ TITLE: INSTALLATION/ASSEMBLY DRAWING NO.: 29700-1301	1584 A1
-----------------------------------------------	--	--------------------------------------------------------------------------------------------------------------------------------------------------------------------------------------------------------------------------------------------------------------------------------------------------------------------------------------------------------	------------------------------------------------------------------------------------------------------------------------------------------------------------------------------------	-----------------------------------------------------------------------------------------------------------------	-------------------------------------------------------------------------	----------------------------------------------------------------------------	------------