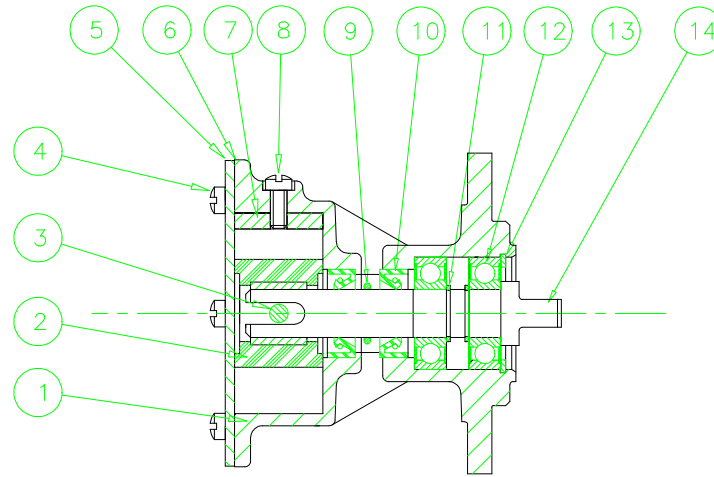
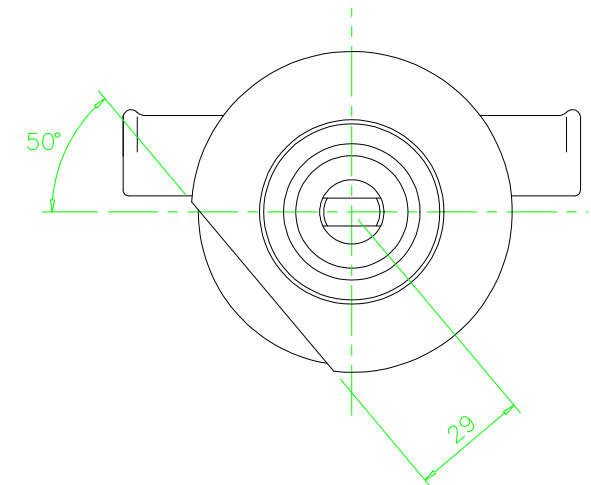
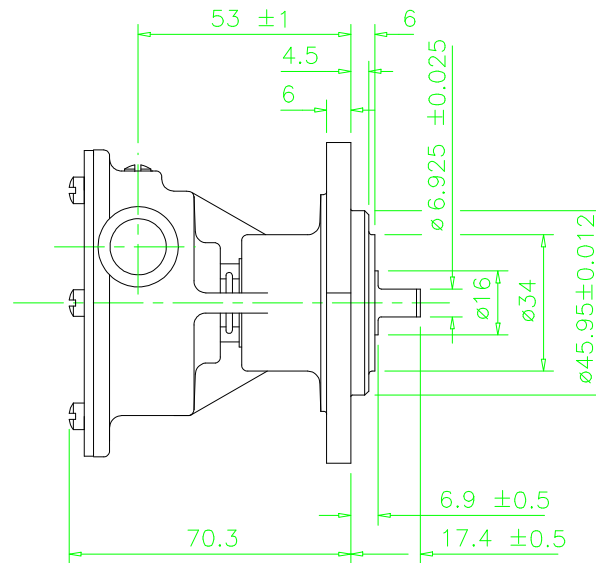
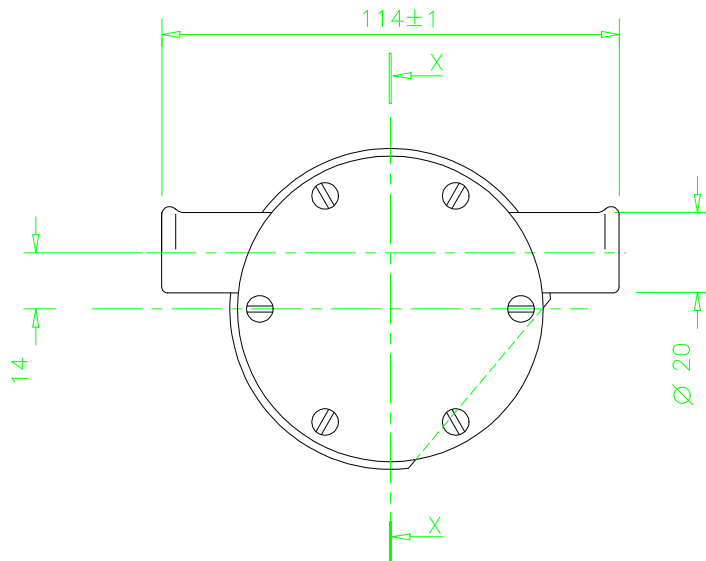


ALL DIMENSIONS IN MILLIMETRES



KEY	DESCRIPTION	QTY
1	BODY	1
2	IMPELLER	1
3	SCREW	1
4	SCREW	6
5	END COVER	1
6	GASKET	1
7	CAM	1
8	SCREW	1
9	O-RING	1
10	SEAL	2
11	RETAINING RING	2
12	BEARING	2
13	RETAINING RING	1
14	SHAFT	1

SECTION X - X



020 BRONZE PUMP ASSEMBLY

								Jabsc ITT Fluid Technology Corporation		HODDESDON, HERTS ENGLAND		1989	
		NOTICE THIS DRAWING MAY REPRESENT A PROPRIETARY ARTICLE OR ONE ON WHICH PATENTS ARE APPLIED FOR OR ISSUED. REPRODUCTION THEREOF OR MANUFACTURE OF PARTS THEREFROM IS NOT PERMISSIBLE WITHOUT THE WRITTEN PERMISSION OF ITT JABSCO.		REMOVE SAND, FINIS, FLASH & SCALE FROM CASTINGS, FORGINGS & MOULDINGS. PART TO BE FREE OF BURRS. TOLERANCES UNLESS OTHERWISE STATED: LINEAR ± - ANGULAR ± -		DO NOT SCALE - REPORT ERRORS		SCALE: 1:1 DATE: 12/12/99		MATERIAL: -		TITLE: INSTALLATION / ASSEMBLY	
A 13905 16.02.06 ISSUE CHANGE DATE		PROJECTION		=		DRAWN: B.N.S. CHECKED:		APPROVED:		DRAWING NO.: 29460-1301		A2	