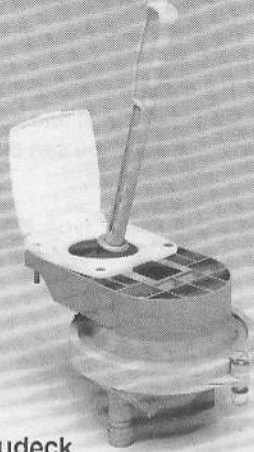
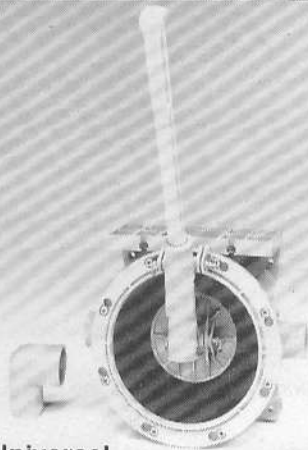
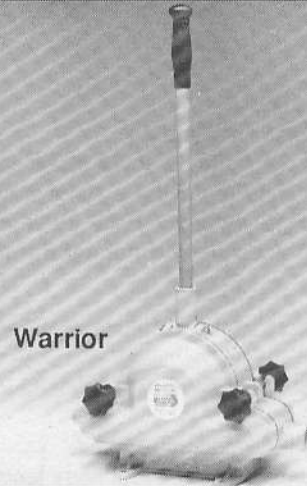
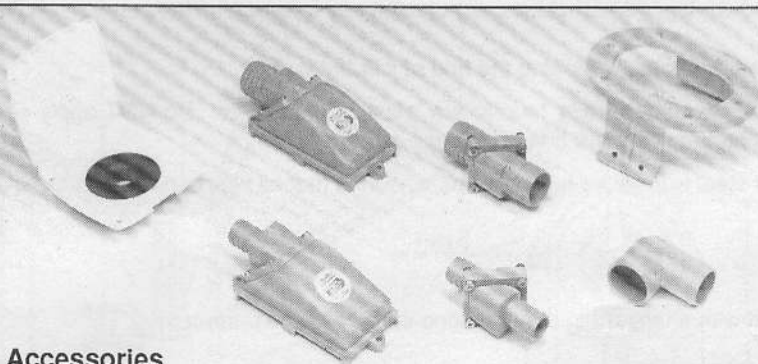


**JABSCO**[®]**Models 29240-0000
29250-0000
29270-0000
29280-0000****Bulkhead****Thrudeck****Universal****Warrior****Accessories****AMAZON
HAND DIAPHRAGM PUMPS**

- 29240-0000 Bulkhead pump, with detachable handle.
- 29250-0000 Thrudeck pump, with detachable handle and through deck kit.
- 29270-0000 Universal pump, with detachable handle, and one push-fit elbow.
- 29280-0000 Warrior pump, with detachable handle.

ACCESSORIES

- 29279-0000 through deck kit (for Universal and Warrior only).
- 29289-0000 under deck bracket (required for Warrior when used with through deck kit).
- 29266-1000 additional push-fit elbow (for Universal only).
- 29290-0000 Bilge strainer for 1 inch (25mm) ID hose.
- 29290-0010 Bilge strainer for 1-1/2 inch (38mm) ID hose.
- 29295-0000 In-line non-return valve for 1 inch (25mm) ID Hose.
- 29295-0010 In-line non-return valve for 1-1/2 inch (38mm) ID hose.

APPLICATIONS

The Amazon range of pumps is primarily designed to evacuate standing bilge water.

NOTE: Amazon pumps are not intended to keep pace with water flowing in through a hole in the vessel's structure.

Actual performance varies according to the individual installation and the pumping rate of the user.

The Amazon Universal and Warrior models are also suitable for discharging toilet waste from holding tanks.

NOTE: Amazon pumps are designed specifically for use as bilge pumps and toilet waste disposal pumps. Consult ITT Jabsco for advice about all other possible applications. Do not use Amazon pumps to transfer gasoline, petroleum products, acids, chemicals or caustic liquids.

Models 29240-0000, 29250-0000,
29270-0000, & 29280-0000

INSTALLATION INSTRUCTIONS

INTRODUCTION

An Amazon pump will become an integral part of your bilge pumping system. Correct installation of the whole system is essential if you want the pump to perform properly, operate reliably and safely, and to give satisfactory length of life.

1 LOCATION

Your pump is delivered ready for installation, but all Amazon pumps can be adapted by the installer to suit different types of location.

- Select a location that allows you to pump comfortably for long periods of time, preferably with the handle rocking vertically towards and away from you at waist height.
- Ensure that there is sufficient clearance for you to use the full stroke of the handle without injury to your hands or arms.
- You must be able to get easy access to the pump chamber and both inlet and outlet valves in the event of a blockage occurring.
- For safety, locate the pump – whether above or below decks – where you can operate it with all hatches and lockers fully closed.

2 MOUNTING

For all models except the Thrudeck, you will need the appropriate number, type, diameter and length of bolts, complete with nuts and washers, all in marine grade stainless steel or bronze, and a small tube of silicone sealant to seal the bolts where they pass through the deck.

- The mounting surface must be flat and sufficiently strong that it does not flex when you are pumping hard.

3 THROUGH HULL FITTING

If you are installing the pump as a bilge pump, you will need either a 1 inch (25mm) ID or 1-1/2 inch (38mm) ID through hull fitting, according to the particular model of pump.

- Follow the through hull fitting manufacture's own instructions concerning materials and methods of installation.
- Ensure that the through hull fitting will be above the waterline at all times, whether the craft is at rest or underway, or heeling, rolling or pitching.

4 SUCTION INLET

The suction inlet must be located in the deepest part of the bilges.

- To minimize the risk of a blockage, you should fit an Amazon strainer.
- You must be able to get easy access to the suction inlet point in the event of a blockage occurring.
- To maximize the efficiency of the pump, you should have a non-return valve close to the suction inlet. This prevents the water that you have just lifted up the hose from falling back into the bilge. (Amazon Bilge Strainers incorporate a non-return valve). If, for any reason, you do not wish to fit a strainer, you should fit an Amazon in-line, non-return valve as close to the suction inlet as possible.

5 PLUMBING

You will need spiral reinforced smooth bore flexible hose for both inlet and outlet plumbing, and a stainless steel wormdrive hose clamp for every port connection (4 or more).

- To maximize the efficiency of the pump, ensure that the outlet hose rises at least 12 inches (30cm) after it leaves the pump. This prevents the pump from sucking in air through the outlet hose.
- Avoid sharp bends in the plumbing that may cause the hose to become kinked.
- Keep all plumbing lengths as short as possible. Unnecessary inlet or outlet hose length just makes the pump harder to operate.
- Secure the plumbing so that the hoses cannot move and chafe, and so that they do not exert any leverage on the pump's port fittings to which they are connected.
- If it is difficult to fit the hose onto any pump ports, soften the hose by dipping the end of it in hot water.

NOTICE: Do NOT apply flame to the hoses. Do NOT apply flame or any heat to any plastic pump ports. Do NOT apply sealing compounds to any hose connections. Any of the preceding may damage hoses or pump ports.

- Secure the ends of all hoses to the ports with stainless steel wormdrive hose clamps, ensuring that all inlet connections are airtight and that all outlet connections are watertight.

6 HANDLE

Store the handle close to the pump in spring clips.

- Using the hole provided in the IXEF® handle, secure it with a lanyard to the mounting surface of the pump.

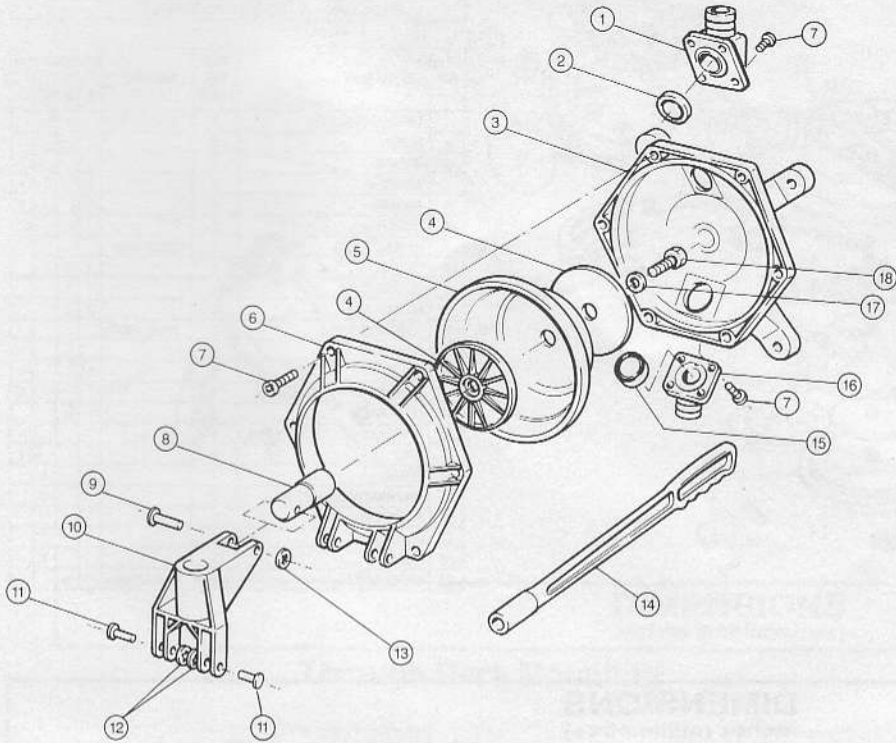
OPERATING INSTRUCTIONS

Amazon pumps are simple to operate.

- If your pump is installed through the deck, first swing the white lid of the deck cover through 180° and snap it into its open position.
- Then just insert the end of the pump handle into the socket on the rocker arm, and move the handle backwards and forwards.
- For maximum efficiency, use even strokes through the full arc of travel of the handle.
- Expect the pump to prime and begin to discharge after a few strokes.
- After use, remove the handle and return it to its storage position.
- Close the white lid of the deck cover.

EXPLODED VIEW & PARTS LIST

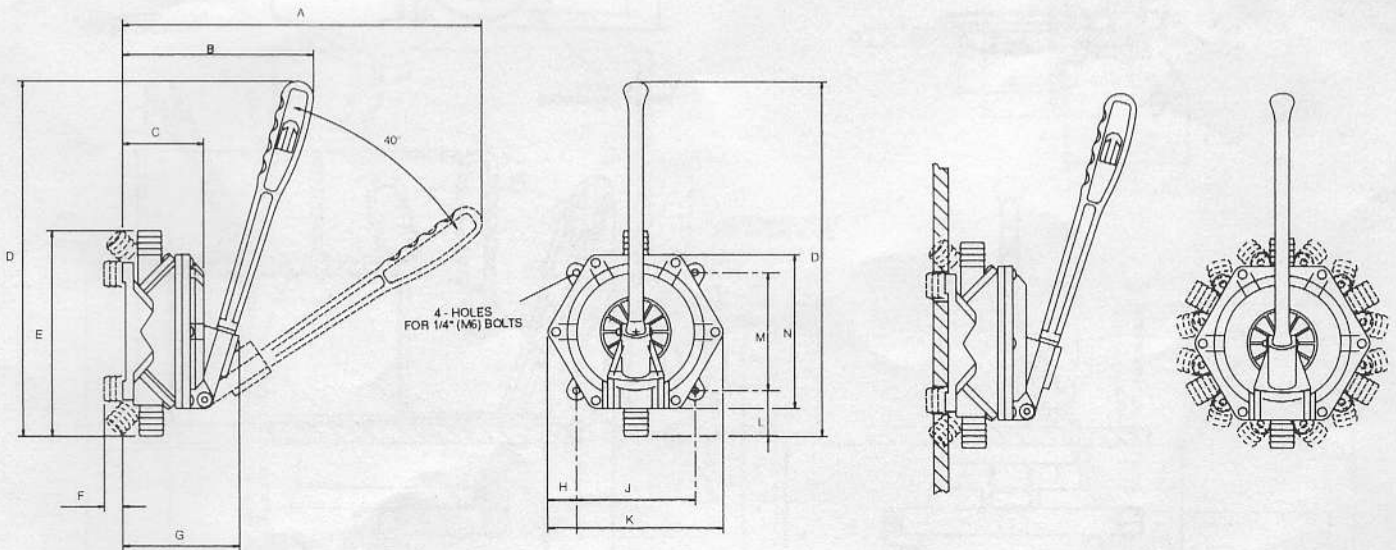
29240-0000 Bulkhead



REPAIR KITS AVAILABLE		
KIT	PART NO:	DESCRIPTION
A	29246-1000	MAJOR SERVICE KIT
B	29241-1000	PORTS KIT
C	29243-1000	CLAMP RING & ROCKER KIT

KEY	DESCRIPTION	QTY PER PUMP	PART NO:	QTY PER REPAIR KIT		
				A	B	C
1	OUTLET PORT	1			1	
2	OUTLET VALVE	1			1	1
3	BODY	1	29242-1000		1	
4	DIAPHRAGM PLATE	2				2
5	DIAPHRAGM	1			1	
6	CLAMP RING	1				1
7	SCREW	14			3	2
8	CON ROD	1				1
9	PIVOT PIN (LONG)	1				1
10	ROCKER	1				1
11	PIVOT PIN (SHORT)	2				2
12	STARLOCK WASHER	2				2
13	STARLOCK WASHER	1				1
14	HANDLE	1	29267-1000			
15	INLET VALVE	1			1	1
16	INLET PORT	1				1
17	WASHER	1			1	1
18	BOLT	1				1

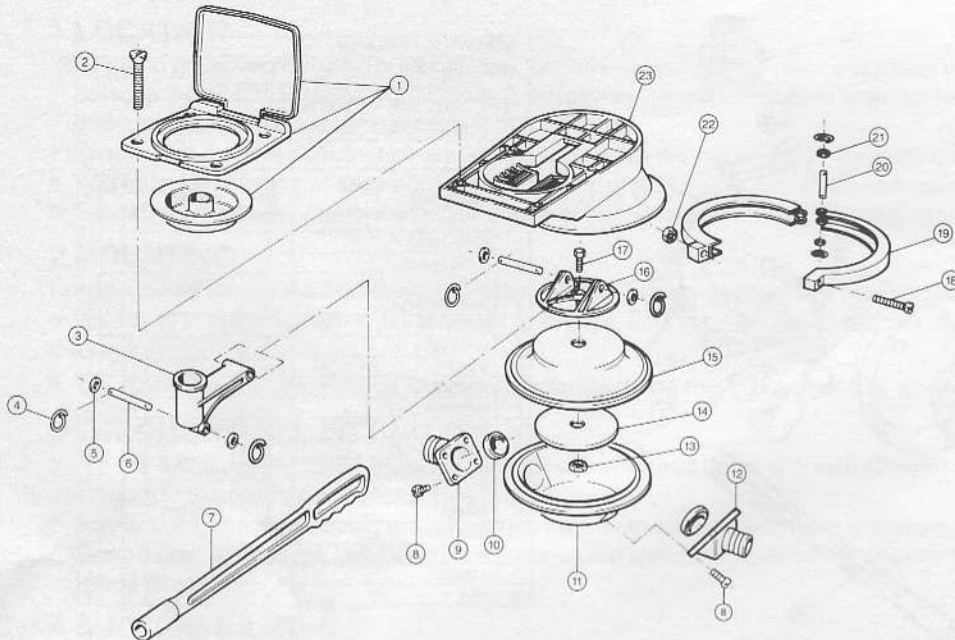
DIMENSIONS inches (millimetres)



A	B	C	D	E	F	G	H	J	K	L	M	N	UNITS	WEIGHT
14 1/4	7 9/16	3 1/4	14 1/16	8	3/4	4 3/4	1 1/8	4 1/16	6 15/16	11 3/16	4 1/16	6 1/8	ins	1.4 lbs
(362)	(192)	(82)	(357)	(204)	(19)	(120)	(28.5)	(119)	(176)	(46)	(119)	(155)	(mm)	(0.6 kg)

EXPLODED VIEW & PARTS LIST

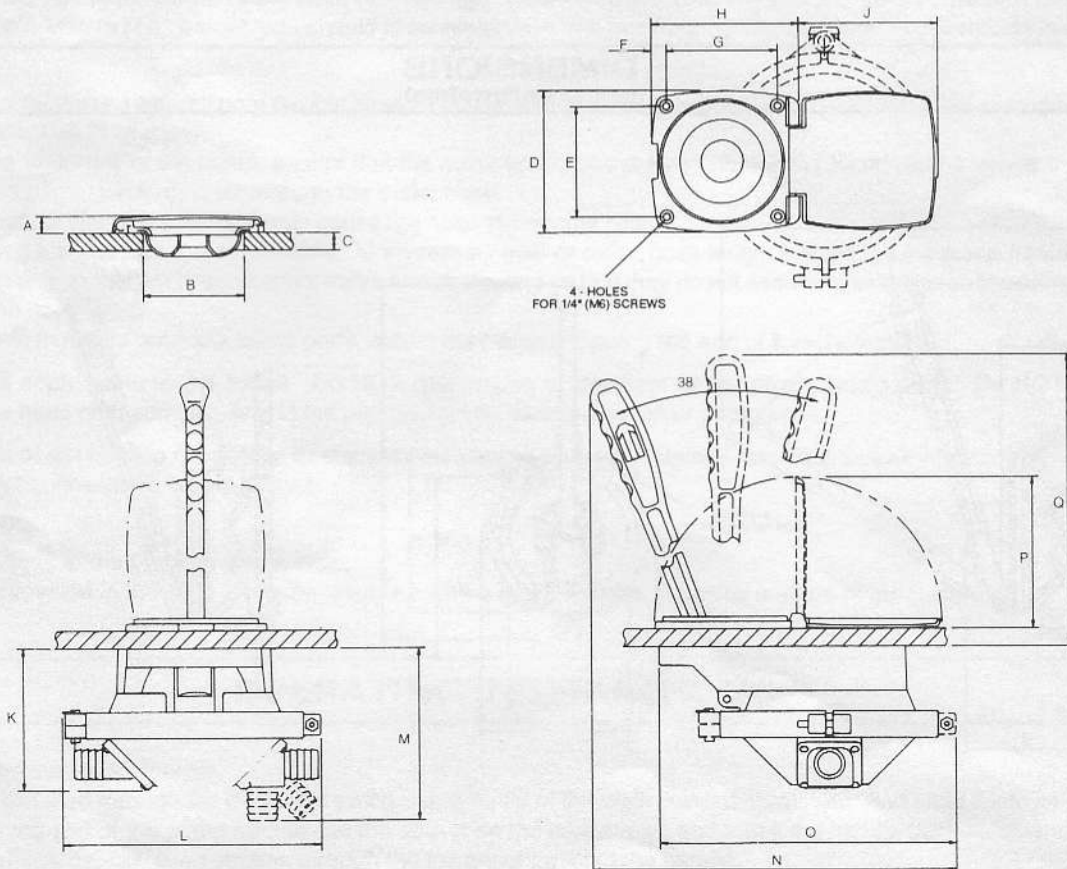
29250-0000 Thrudeck



REPAIR KITS AVAILABLE		
KIT	PART NO:	DESCRIPTION
A	29256-1000	MAJOR SERVICE KIT
B	29241-1000	PORTS KIT
C	29252-1000	CLAMP RING ASSEMBLY
D	29254-1000	ROCKER ASSEMBLY

KEY	DESCRIPTION	QTY PER PUMP	PART NO:	QTY PER REPAIR KIT			
				A	B	C	D
1	THROUGH DECK KIT	1	29279-0000				
2	SCREW	4					
3	ROCKER	1					1
4	RING CLIP	6				2	4
5	WASHER	4					4
6	PIVOT PIN	2					2
7	HANDLE	1	29267-1000				
8	SCREW	8		2	2		
9	OUTLET PORT	1				1	
10	FLAP VALVE	2		2	2		
11	LOWER BODY	1	29258-1000				
12	INLET PORT	1				1	
13	NYLOC NUT	1		1			1
14	DIAPHRAGM PLATE (LOWER)	1					1
15	DIAPHRAGM	1		1			
16	DIAPHRAGM PLATE (UPPER)	1					1
17	BOLT	1					1
18	SCREW	1		1			1
19	DIAPHRAGM CLAMP RING	2					2
20	PIVOT PIN (CLAMP)	1					1
21	WASHER	2					2
22	NUT	1					1
23	UPPER BODY	1	29251-1000				

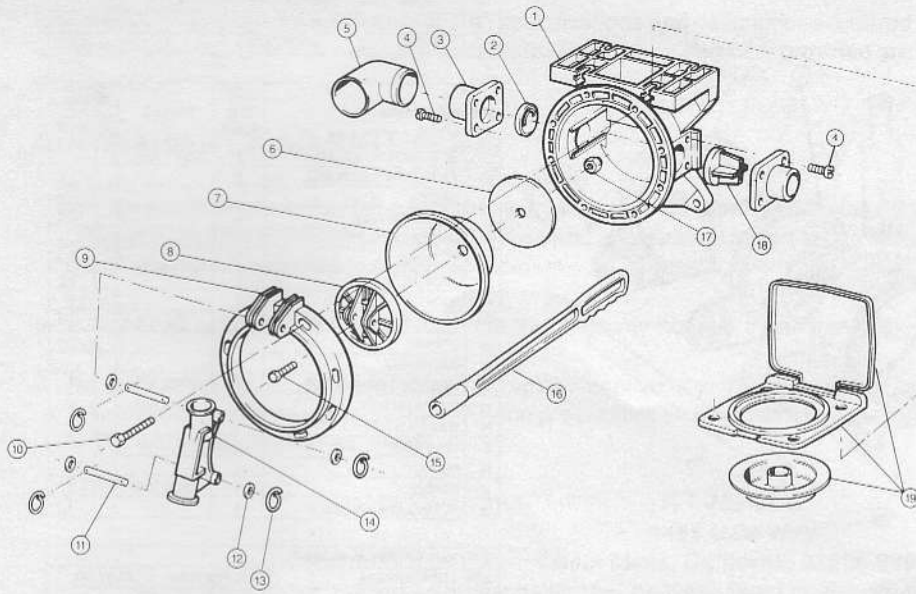
DIMENSIONS inches (millimetres)



A	B	C	D	E	F	G	H	J	K	L	M	N	O	P	Q	UNITS	WEIGHT
9/16	3 3/8	3/16 - 1 5/16	4 3/4	3 23/32	1/2	3 23/32	5 7/32	4 1/2	4 3/4	4 1/32	5 28/32	12 7/32	9 23/32	5 3/32	10 29/32	ins	2.5 lbs
(14.5)	(Ø86)	(5-22)	(120)	(94)	(12.8)	(94)	(129)	(115)	(121)	(110)	(147)	(310)	(252)	(129)	(277)	(mm)	(1.2 kg)

EXPLODED VIEW & PARTS LIST

29270-0000 Universal



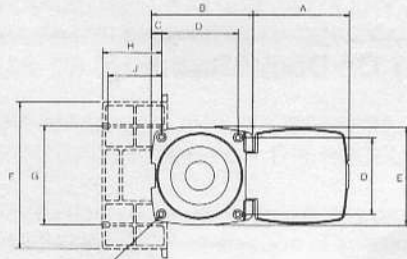
REPAIR KITS AVAILABLE		
KEY	PART NO:	DESCRIPTION
A	29276-1000	MAJOR SERVICE KIT
B	29275-1000	PORTS KIT
C	29272-1000	CLAMP RING & ROCKER KIT

KEY	DESCRIPTION	QTY PER PUMP	PART NO:	QTY PER REPAIR KIT		
				A	B	C
1	BODY	1	29271-1000			
2	INLET VALVE	1		1	1	
3	PORT	2			2	
4	SCREW	8		3	2	
5	PUSH FIT ELBOW	1	29266-1000			
6	DIAPHRAGM PLATE (INNER)	1				1
7	DIAPHRAGM	1		1		
8	DIAPHRAGM PLATE (OUTER)	1				1
9	CLAMP RING	1				1
10	SCREW	8		3	3	
11	PIVOT PIN	2				1
12	WASHER	4		1	2	
13	RING CLIP	4		1	2	
14	ROCKER	1				1
15	BOLT	1				1
16	HANDLE	1	29267-1000			
17	NYLOC NUT	1				1
18	OUTLET VALVE	1				1

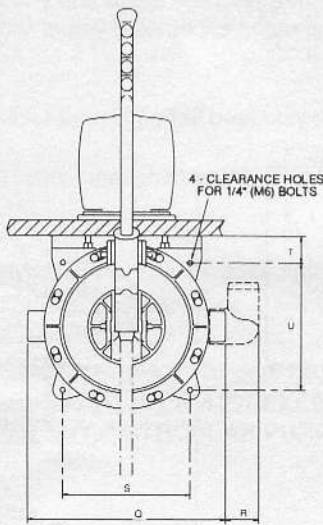
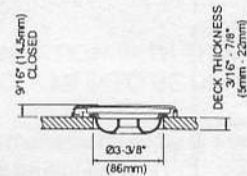
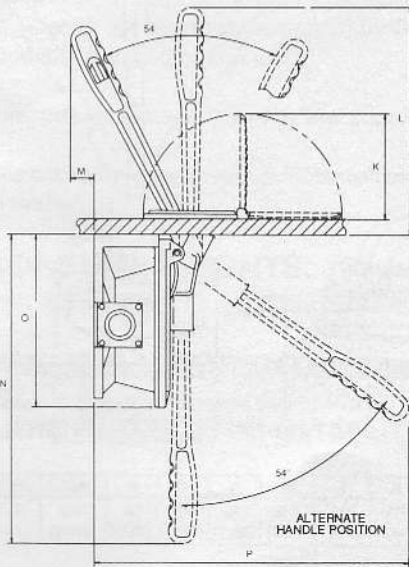
OPTIONAL EXTRAS AVAILABLE		
KEY	PART NO:	DESCRIPTION
19	29279-0000	THROUGH DECK KIT

DIMENSIONS inches (millimetres)

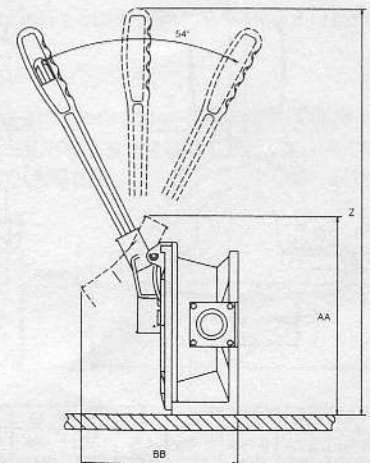
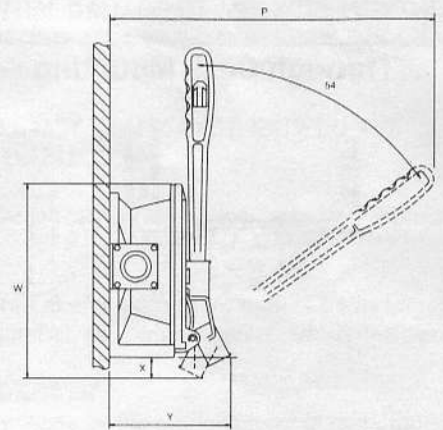
Through Deck Mounting



4 - CLEARANCE HOLES FOR 1/4" (M6) BOLTS



On Deck Mounting

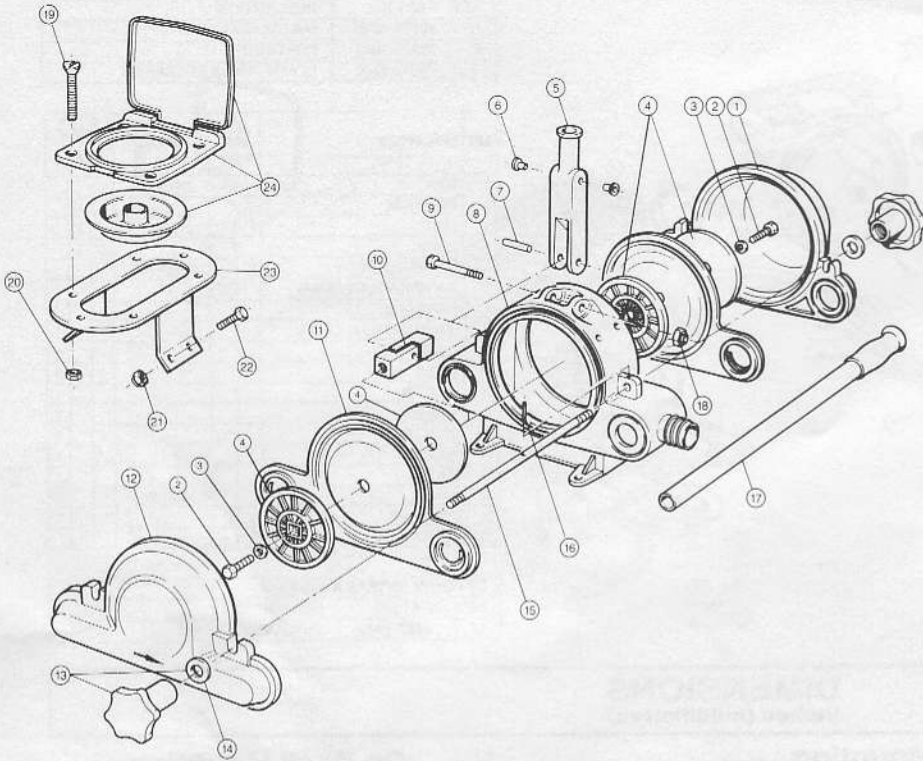


A	B	C	D	E	F	G	H	J	K	L	M	N	O	UNITS
4 1/2	5 3/32	1/2	3 23/32	4 3/8	7 1/8	4 3/4	2 7/8	2 19/32	5 3/32	10 29/32	1 1/8	15	8 1/32	ins
(115)	(129)	(12.8)	(94)	(120)	(180)	(121)	(73)	(66)	(129)	(277)	(29)	(380)	(212)	(mm)

P	Q	R	S	T	V	W	X	Y	Z	AA	BB	UNITS	WEIGHT
15 7/8	9 1/2	1 5/8	6 9/32	1 5/8	15 15/16	9 3/8	1	5 19/32	19 5/8	9 5/8	7 3/8	ins	2.9 lbs
(390)	(242)	(41)	(156)	(33)	(405)	(238)	(26)	(149)	(498)	(244)	(192)	(mm)	(1.2 kg)

EXPLODED VIEW & PARTS LIST

29280-0000 Warrior



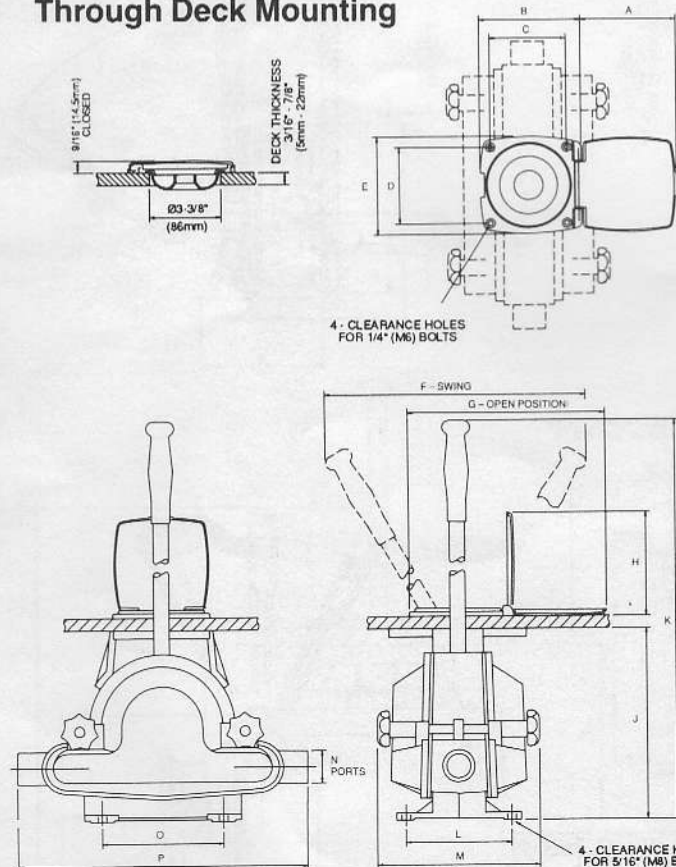
REPAIR KITS AVAILABLE		
KIT	PART NO:	DESCRIPTION
A	29286-1000	MAJOR SERVICE KIT
B	29283-1000	BODY KIT
C	29284-1000	ROCKER KIT

KEY	DESCRIPTION	QTY PER PUMP	PART NO:	QTY PER REPAIR KIT		
				A	B	C
1	LEFT HAND COVER PLATE	1	29281-1000			
2	BOLT (DIAPHRAGM PLATE)	2				2
3	WASHER	2		1		2
4	DIAPHRAGM PLATE	4				4
5	ROCKER ARM	1				1
6	BUSHING	2				2
7	PIVOT PIN	1				1
8	BODY	1			1	
9	BOLT (ROCKER ASSEMBLY)	1				1
10	CONROD	1				1
11	DIAPHRAGM	2			2	
12	RIGHT HAND COVER PLATE	1	29282-1000			
13	KNOB & WASHER ASSY	4	29288-1000			
14	WASHER (STUDI)	4			2	
15	LONG STUD	2				2
16	ROLL PIN	2				2
17	HANDLE	1	29287-1000			
18	NUT (ROCKER ASSEMBLY)	1				1

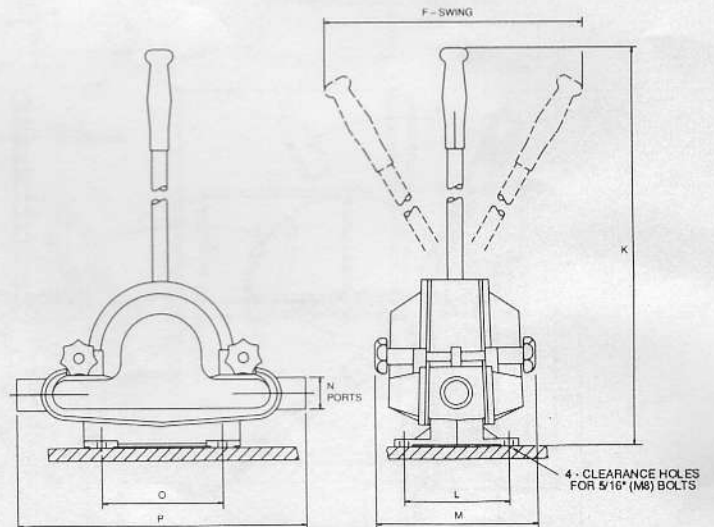
OPTIONAL EXTRAS AVAILABLE			
KEY	DESCRIPTION	QTY PER PUMP	PART NO:
19	SCREW	6	29289-0000
20	NUT	6	
21	NUT	4	
22	BOLT	4	
23	UNDERDECK BRACKET	1	29279-0000
24	THROUGH DECK KIT	1	

DIMENSIONS inches (millimetres)

Through Deck Mounting



On Deck Mounting



F	K	L	M	N	O	P	UNITS	WEIGHT
12 ⁷ / ₃₂	26 ³ / ₄	5 ³ / ₃₂	7 ⁷ / ₈	1 ¹ / ₂	5 ²⁹ / ₃₂	14	ins	9.7 lbs
(310)	(680)	(130)	(200)	(38.1)	(150)	(355)	(mm)	(4.40 kg)

A	B	C	D	E	F	G	H	J	K	L	M	N	O	P	UNITS	WEIGHT
4 ⁷ / ₃₂	5 ¹ / ₁₆	3 ²³ / ₃₂	3 ²³ / ₃₂	4 ³ / ₈	12 ⁷ / ₃₂	9 ⁵ / ₁₆	5 ³ / ₃₂	9 ⁷ / ₁₆	26 ³ / ₄	5 ³ / ₃₂	7 ⁷ / ₈	1 ¹ / ₂	5 ²⁹ / ₃₂	14	ins	11 lbs
(115)	(129)	(94)	(94)	(120)	(310)	(244)	(129)	(240)	(680)	(130)	(200)	(38.1)	(150)	(355)	(mm)	(4.95 kg)

One Year Limited Warranty

A. LIMITED WARRANTY: ITT warrants that at the time of shipment, the products manufactured by ITT and sold hereunder shall be in conformity with applicable written specifications and descriptions referred to or set forth herein, free from defects in material and workmanship, merchantable, and suitable for a particular purpose, provided such is implied by State law under the circumstances of this sale.

B. WARRANTY ADJUSTMENT:

1. ITT agrees to repair or furnish a replacement for, but not to remove or install, any product or component thereof which, within one (1) year from date of purchase, shall upon test and examination by ITT prove defective within the above warranty. Receipt verifying purchase date is required to obtain adjustment.
2. Buyer shall notify ITT of any defect within this warranty no later than ninety (90) days after the defect is discovered.
3. No product will be accepted for return or replacement without the prior written authorization of ITT. Upon such authorization, and in accordance with instructions from ITT, the product will be returned to ITT, shipping charges prepaid by Buyer. Products returned to ITT will be addressed as follows:

ITT JABSCO
1485 Dale Way
Costa Mesa, California 92626-3998

Or to such alternate locations as may be designated on the product, its container, or this sheet.
Repair or replacement made under this warranty will be shipped prepaid to Buyer.

C. EXCLUSIONS FROM WARRANTY AND LIMITATION OF LIABILITY:

1. The foregoing warranty is limited solely as set forth herein and applies only for the period designated above.
2. ITT SHALL NOT BE LIABLE FOR ANY LOSS, DAMAGE, SPECIAL OR CONSEQUENTIAL DAMAGE OF ANY KIND, WHETHER BASED UPON WARRANTY, CONTRACT, NEGLIGENCE, OR STRICT LIABILITY ARISING IN CONNECTION WITH THE SALE, USE, OR REPAIR OF THE PRODUCT.
3. THE MAXIMUM LIABILITY OF ITT IN CONNECTION WITH THIS WARRANTY SHALL NOT IN ANY CASE EXCEED THE CONTRACT PRICE FOR THE PRODUCT CLAIMED TO BE DEFECTIVE OR UNSUITABLE.
4. This warranty does not extend to any product manufactured by ITT which has been subjected to misuse, neglect, accident, improper installation, or use in violation of instructions furnished by ITT.
5. This warranty does not extend to or apply to any unit which has been repaired or altered at any place other than ITT's factory, or by persons not expressly approved by ITT, nor to any unit the serial number, model number, or identification of which has been removed, defaced or changed.
6. Components manufactured by any supplier other than ITT shall bear only that warranty made by the manufacturer of that product.
7. This warranty applies to products defined as "consumer products" by the Consumer Product Warranties Act as from time to time amended.

D. CONSUMER RIGHTS: This warranty gives you specific legal rights, and you may have other rights which vary from state to state. Some states do not allow exclusion or limitation of damages.

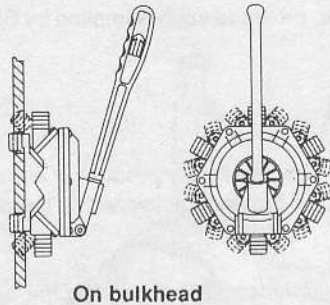
STANDARD WARRANTY: If the products manufactured and sold hereunder are not Consumer Products, the warranty extended to Buyer shall be as set forth in subparagraphs (A), (B), and (C), **EXCEPT THAT ALL EXPRESS OR IMPLIED WARRANTIES OR MERCHANTABILITY OR SUITABILITY FOR ANY PARTICULAR PURPOSE ARE EXCLUDED.**

AMAZON BULKHEAD

For surface mounting on bulkhead or deck

- Repositionable ports and body offer an amazing 96 assembly variations
- Complete with revolutionary IXEF® handle with provision for safety lanyard
- Sustainable outputs up to 10 GPM (6.1 Strokes/gal)

Connections for 1 inch (25mm) ID hose
29240-0000 Bulkhead pump with detachable handle



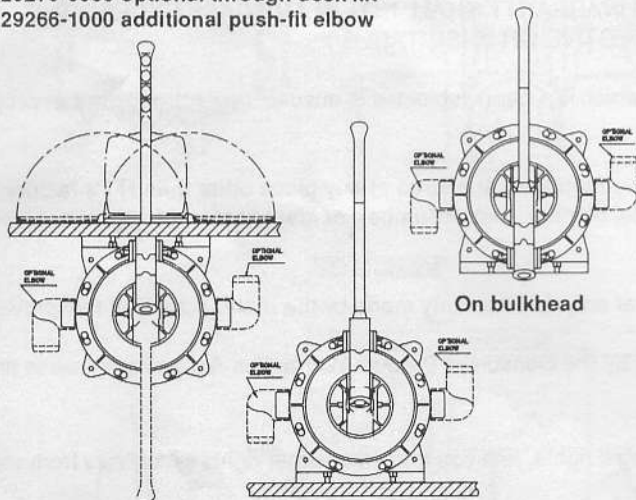
On bulkhead

AMAZON UNIVERSAL

For mounting on bulkhead, through bulkhead, on deck, or through deck (with optional through deck kit)

- Flow direction can be changed 180° by interchanging inlet and outlet ports
- Optional push-fit inlet and outlet elbows swivel through 360° to increase flexibility of installation still further
- Unique safety feature allows operation from both inside and outside the cabin (with optional through deck kit)
- Quick release clamp ring gives fast access for blockage clearance
- Revolutionary IXEF® handle with provision for safety lanyard
- Impressive features are matched by impressive flow rate of up to 22 GPM (2.8 Strokes/gal)
- Excellent solids handling ability for use with holding tanks

Connections for 1-1/2 inch (38mm) ID hose
29270-0000 Universal pump, with detachable handle, and one push-fit elbow included
29279-0000 optional through deck kit
29266-1000 additional push-fit elbow



Through deck

On deck

On bulkhead

IXEF

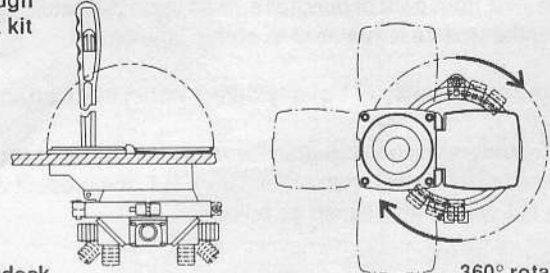
IXEF® – the new, lightweight, super tough, non-magnetic molded material
 ®Registered Trade Mark of SOLVAY

AMAZON THRUDECK

For mounting through deck or through bulkhead

- The ultimate compact through deck pump with no less than 16 port variations relative to the body
- Loosening just one screw lets you clear blockages or re-position the body anywhere through 360° relative to the handle position
- Revolutionary IXEF® handle with provision for safety lanyard
- Sleekly styled through deck kit and cover, with 4 mounting positions relative to the pump
- Two models available for 1" and 1-1/2" hose connections
- Readily achievable 11 GPM (7.2 Strokes/gal)(1") or 16 GPM (5.1 Strokes/gal)(1-1/2")

29250-Series ThruDeck pump, with detachable handle and through deck kit



ThruDeck

360° rotation

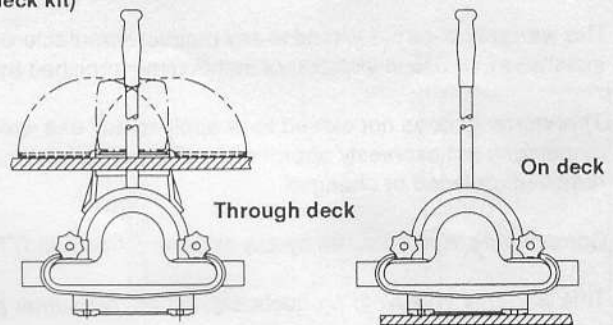
29250-0000 1" Ports or 29250-0010 1-1/2" Ports

AMAZON WARRIOR

For mounting on deck, or through deck (with optional through deck kit and bracket)

- Robust, alloy body particularly suited to workboat and safety applications
- Double diaphragm design gives maximum efficiency, and added safety because each side of the pump operates
- Solid 18" handle assists sustained high outputs of up to 30 GPM (2.7 Strokes/gal)

Connections for 1-1/2 inch (38mm) ID hose
29280-0000 Warrior pump, with detachable handle
29279-0000 optional through deck kit
29289-0000 under deck bracket (required for use with through deck kit)



Through deck

On deck

AMAZON ACCESSORIES

- 29290-0000 Bilge strainer for 1 inch (25mm) ID hose
- 29290-0010 Bilge strainer for 1-1/2 inch (38mm) ID hose
- 29295-0000 In-line non-return valve for 1 inch (25mm) ID hose
- 29295-0010 In-line non-return valve for 1-1/2 inch (38mm) ID hose

ITT Jabsco

ITT Fluid Technology Corporation

1485 Dale Way, P.O. Box 2158, Costa Mesa, CA 92628-2158

Tel: (714) 545-8251; Fax: (714) 957-0609

Bingley Road, Hoddesdon, Hertfordshire EN11 0BU, England

Tel: 0992-467191; Tlx: 263251 G; Fax: 0992-467132