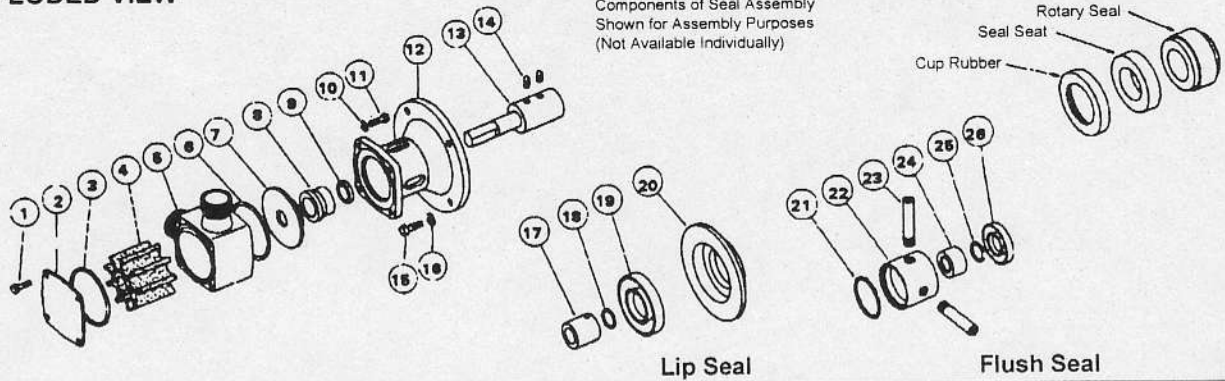


# Jabsco 28540 : 28580 SERIES

## EXPLODED VIEW



Components of Seal Assembly  
Shown for Assembly Purposes  
(Not Available Individually)

PARTS LIST			STD. PRESSURE IMPELLER		HIGH PRESSURE IMPELLER	
Key	Description	Qty	Neoprene Elast: 28540-2111	Neoprene Elast: 28580-2125	Nitrile Elast: 28580-2123	
1	Screw	4	X3001-207F	X3001-207F	X3001-207F	
2	Endcover	1	28505-0010	28505-0010	28505-0010	
3	"O" Ring	1	X4020-424A	X4020-424A	X4020-424A	
4	Impeller	1	8963-0011B	8600-0005B	8600-0023B	
5	Body	1	28504-2002	28504-2002	28504-2002	
6	"O" Ring	1	X4020-424A	X4020-424A	X4020-424A	
7	Wearplate(1)	1	28536-0000	28536-0000	28536-0000	
8	Seal Assembly(1)*	1	28531-0103B	28531-0103B	28531-0103B	
9	Seal Spacer(1,2,3)	4	28519-0000	28517-0002	28517-0002	
10	Washer	4	X3080-101F	X3080-101F	X3080-101F	
11	Screw	4	X3001-209F	X3001-209F	X3001-209F	
12	Adaptor	1	28523-0000	28523-0003	28523-0003	
13	Shaft Extension	1	28527-0001	Required Integral Motor Shaft. See Drawing For Details		
14	Set Screw	2	X3009-203A			
15	Screw	4	X3001-209F	X3001-209F	X3001-209F	
16	Washer	4	X3080-101F	X3080-101F	X3080-101F	
Service Kit Contains*			SK379-0111	SK379-0125	SK379-0123	
Other Seal Options						
Model No. With H/F Seal			28540-2211	28540-2225	28540-2223	
Model No. With Lip Seal			28540-2411	28540-2425	28540-2423	
Model No. With H/F Seal Flushed			28540-2711	28540-2725	28540-2723	
Model No. With Standard Seal Flushed			28540-2911	29540-2925	28540-2923	
Parts For Appropriate Seal Conversion						
8 H/F Seal Assembly			28531-0203B	28531-0203B	28531-0203B	
Lip Seal Kit No. & Contains			28531-0403B	Not Available	Not Available	
17 Seal Spacer			28565-0011	Not Available	Not Available	
18 "O" Ring			X4020-229A	Not Available	Not Available	
19 Seal			SP2701-0915	Not Available	Not Available	
20 Wearplate			28566-0000	Not Available	Not Available	
Flush Seal Kit No. & Contains			28532-0000B	Not Available	Not Available	
21 "O" Ring			X4020-269A	Not Available	Not Available	
22 Seal Housing			28512-0000	Not Available	Not Available	
23 Tube			21844	Not Available	Not Available	
24 Seal Spacer(2)			28519-0001	Not Available	Not Available	
25 "O" Ring(2)			X4020-227A	Not Available	Not Available	
26 Seal			SP2701-0916	Not Available	Not Available	
(1) Key 7, 8 & 9 Not Required For Lip Seal Models. (2) Key 9, 24 & 25 Not Required For one piece Shaft.						
(3) Key 9 Required For High Pressure Impeller Models						

## SERVICE INSTRUCTIONS

### Dis-Assembly

1. Remove screws (1), endcover and "O" rings (3). Remove screws (11) and slide off body complete with body. Push out impeller and "O" ring (6) from body.
2. Remove wearplate (7) and prise out seal seat and cup rubber.
3. Gently lever the spacer (9), (if fitted) and rotary seal off the shaft. Removal of the following parts is not necessary for normal servicing. However, if required proceed as follows.
4. Remove screws (15) and washers (16) and slide off adaptor (12). For motors with integral stainless steel shaft step 5 is not applicable.
5. Loosen set screws (14) then applying heat and leverage slide off shaft extension. Do not heat damage motor seal and bearing. Do not tamper with motor.

**Pumps With Lip Seal:-** Push out lip seal (19) from wearplate (20) and loosen set screws to remove spacer (17) and prise out "O" ring (18) from spacer.

**Pumps With Flush Seal:-** After pulling out rotary seal, unscrew tubes (23) and pull out seal housing (22). If fitted:- Remove seal spacer and prise out "O" ring (25). Remove "O" ring (21) and lip seal (26) from seal housing.

### Assembly

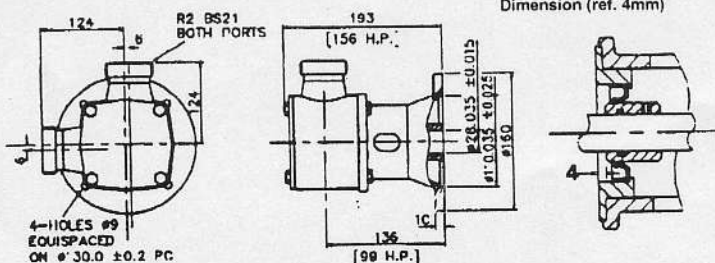
1. To assemble shaft extension (if required):- Support motor shaft (from end). Align set screws (14) with the shaft keyway and press on the shoulder of the shaft extension. Tighten set screws (14).
2. Slide seal spacer (9) (if fitted), on shaft then smear shaft with oil and push rotary seal gently until it touches the spacer or shaft shoulder.
3. Fit adaptor (12) to motor face with screws (15) and washers (16).
4. Fit cup rubber and seal seat into wearplate and slide into position over shaft.
5. Fit impeller into lubricated body with a twisting motion in the same direction as motor. Fit "O" ring (6) into body and slide into position over shaft.
6. Align wearplate and body with adaptor and secure with screws (11) and washers (10). Do not overtighten, a gap between adaptor and body is normal. These screws and endcover screws should be tightened to a torque of 13.5 Nm.
7. Fit "O" ring (3) into body and place endcover over body and secure with screws (1).

**Pumps With Lip Seal:-** Fit "O" ring (18) into seal spacer (17) and smear spacer and shaft with lubricating oil. Slide spacer over shaft and secure with set screws to dimension shown. Press lip seal (19) into wearplate (20) and slide into position over shaft, then follow on from step 5 above.

**Pumps With Flush Seal:-** Shafts with seal spacer (24). Fit "O" ring (25) under seal spacer and smear both spacer and shaft with oil and slide spacer up to shaft shoulder. Press lip seal (26) into seal housing (22) and slide into position. Fit tubes (23) sealing with PTFE tape. Rotary seal and "O" ring (21) can now be fitted. Then follow step 5 above.

Inspect all parts for wear or damage and replace if necessary.

## INSTALLATION DRAWING



- Suitable For
- (a) 100-B3/B14 Motor Frame To IEC Std. Medium Pressure Pumps Only
  - (b) Medium Pressure. Pumps Up To 1.0 Bar Differential Pressure
  - (c) High Pressure Pumps Up To 3.0 Bar Differential Pressure Requires Integral Motor Shaft See Drawing (Stainless Steel Motor Adaptor)

