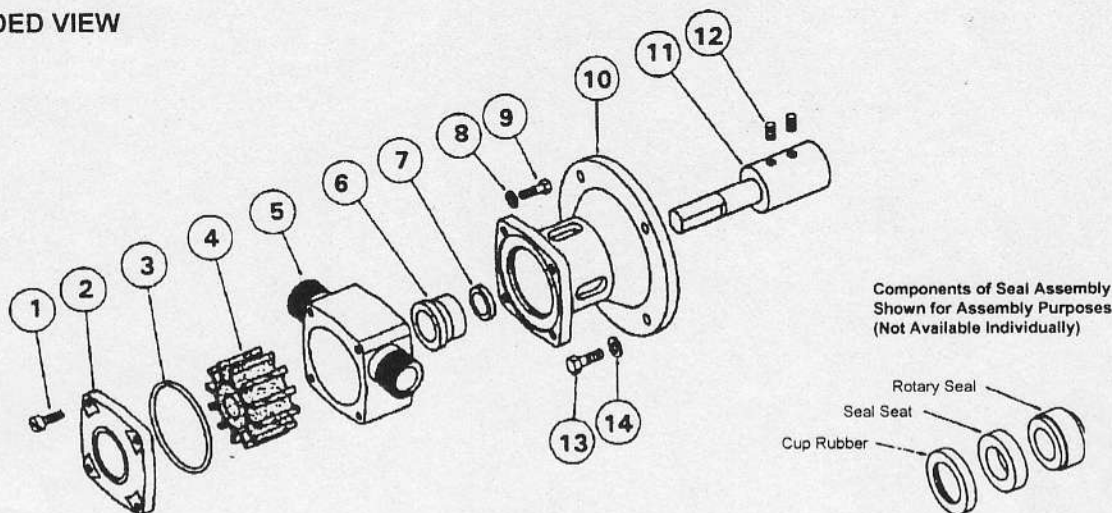


# Jabsco 28360 SERIES

## EXPLODED VIEW



PARTS LIST			STANDARD PRESSURE IMPELLER			HIGH PRESSURE IMPELLER		
			Neoprene Elast: 28360-2101	Nitrile Elast: 28360-2103	Viton Elast: 28360-2104	Neoprene Elast: 28360-2121	Nitrile Elast: 28360-2123	Viton Elast: 28360-2124
Key	Description	Qty	X3002-128F	X3002-128F	X3002-128F	X3002-128F	X3002-128F	X3002-128F
1	Screw	4						
2	Endcover	1	28355-0000	28355-0000	28355-0000	28355-0000	28355-0000	28355-0000
3	"O" Ring*	1	X4020-269A	X4020-269A	X4020-269B	X4020-269A	X4020-269A	X4020-269B
4	Impeller*	1	14282-0001B	14282-0003B	14282-0004B	8840-0021B	8840-0023B	8840-0024B
5	Body	1	28354-2000	28354-2000	28354-2000	28354-2000	28354-2000	28354-2000
6	Seal Assembly*	1	28331-0103B	28331-0103B	28331-0104B	28331-0103B	28331-0103B	28331-0104B
7	Spacer	1	28319-0002	28319-0002	28319-0002	28319-0002	28319-0002	28319-0002
8	Washer	4	X3080-091F	X3080-091F	X3080-091F	X3080-091F	X3080-091F	X3080-091F
9	Screw	4	X3001-182F	X3001-182F	X3001-182F	X3001-182F	X3001-182F	X3001-182F
10	Adaptor	1	28323-0000	28323-0000	28323-0000	28323-0000	28323-0000	28323-0000
11	Shaft Ext.	1	28367-0000	28367-0000	28367-0000	28367-0000	28367-0000	28367-0000
12	Set Screw	2	X3009-176A	X3009-176A	X3009-176A	X3009-176A	X3009-176A	X3009-176A
13	Screw	4	X3001-180F	X3001-180F	X3001-180F	X3001-180F	X3001-180F	X3001-180F
14	Washer	4	X3080-091F	X3080-091F	X3080-091F	X3080-091F	X3080-091F	X3080-091F
Service Kit Contains*			SK377-0101	SK377-0103	SK377-0104	SK377-0121	SK377-0123	SK377-0124
OTHER SEAL OPTIONS								
Model No. With H/F Seal			28360-2201	28360-2203	28360-2204	28360-2221	28360-2223	28360-2224
PARTS FOR APPROPRIATE SEAL CONVERSION								
6	Seal H/F	1	28331-0203B	28331-0203B	28331-0204B	28331-0203B	28331-0203B	28331-0204B

## SERVICE INSTRUCTIONS

### Dis-Assembly

1. Remove screws (1), endcover and "O" ring. Remove screws (9) and slide off body complete with impeller. Remove seal seat and cup rubber and push out impeller from body.
2. Gently lever the spacer (7) and seal (6), off the shaft.

Removal of the following parts is not necessary for normal servicing. However if required then as follows:-

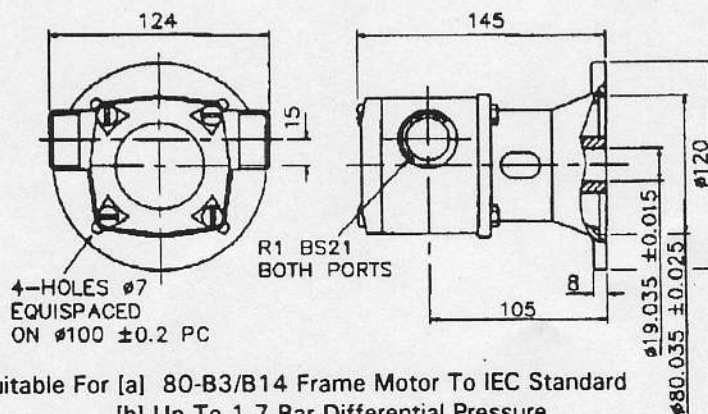
3. Remove screws (13) and washers (14) and slide off adaptor (10).
4. Loosen set screws (12), then applying heat and leverage slide off shaft extension. Do not heat damage epoxy coating of shaft, motor seal and bearing.

Do Not Tamper With Motor

### Assembly

1. To assemble shaft extension:- Support motor shaft (fan end). Align set screws (12) with the shaft keyway and press on the shoulder of the shaft extension. Tighten set screws (12).
2. Slide seal spacer on shaft then smear shaft with oil and push rotary seal gently until it touches the spacer.
3. Fit adaptor to motor with screws (13) and washers (14).
4. Fit impeller into lubricated body with a twisting motion in the same rotation as motor. Fit cup rubber and seal seat into body.
5. Slide this assembly over shaft and fit with screws (9) and washer (8) to adaptor.
6. Fit "O" ring into endcover and secure with screws (1) onto body.

## INSTALLATION DRAWING



Inspect all parts for wear or damage and replace if necessary.