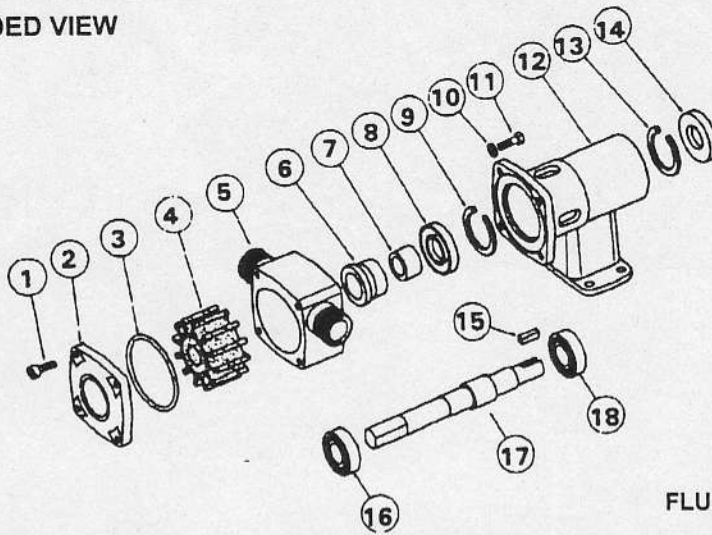
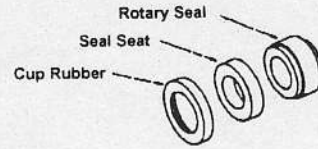


Jabsco 28250 SERIES

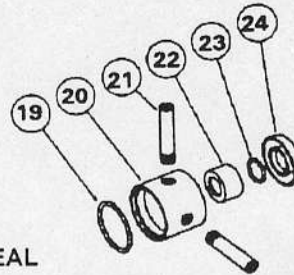
EXPLODED VIEW



Components of Seal Assembly
Shown for Assembly Purposes
(Not Available Individually)



FLUSH SEAL



PARTS LIST			STANDARD PRESSURE IMPELLER			HIGH PRESSURE IMPELLER		
Key	Description	Qty	Neoprene Elast: 28250-2101	Nitrile Elast: 28250-2103	Viton Elast: 28250-2104	Neoprene Elast: 28250-2121	Nitrile Elast: 28250-2123	Viton Elast: 28250-2124
1	Endcover Screw	4	X3002-153F	X3002-153F	X3002-153F	X3002-153F	X3002-153F	X3002-153F
2	Endcover	1	28255-0000	28255-0000	28255-0000	28255-0000	28255-0000	28255-0000
3	"O" Ring	1	X4020-259A	X4020-259A	X4020-259A	X4020-259A	X4020-259A	X4020-259A
4	Impeller*	1	14281-0001B	14281-0003B	14281-0004B	8444-0021B	8444-0023B	8444-0024B
5	Body	1	28254-2000	28254-2000	28254-2000	28254-2000	28254-2000	28254-2000
6	Seal Assembly*	1	28231-0103B	28231-0103B	28231-0104B	28231-0103B	28231-0103B	28231-0104B
7	Seal Spacer(1)	1	28217-0000	28217-0000	28217-0000	28217-0000	28217-0000	28217-0000
8	Lip Seal	1	SP2700-39	SP2700-39	SP2700-39	SP2700-39	SP2700-39	SP2700-39
9	Retaining Ring	1	SP1701-4435	SP1701-4435	SP1701-4435	SP1701-4435	SP1701-4435	SP1701-4435
10	Washer	4	X3080-081F	X3080-081F	X3080-081F	X3080-081F	X3080-081F	X3080-081F
11	Screw	4	X3001-153F	X3001-153F	X3001-153F	X3001-153F	X3001-153F	X3001-153F
12	Bearing Housing	1	28203-0000	28203-0000	28203-0000	28203-0000	28203-0000	28203-0000
13	Retaining Ring	1	SP1701-4435	SP1701-4435	SP1701-4435	SP1701-4435	SP1701-4435	SP1701-4435
14	Lip Seal	1	SP2700-39	SP2700-39	SP2700-39	SP2700-39	SP2700-39	SP2700-39
15	Key	1	X4000-109A	X4000-109A	X4000-109A	X4000-109A	X4000-109A	X4000-109A
16	Bearing	1	SP2600-01	SP2600-01	SP2600-01	SP2600-01	SP2600-01	SP2600-01
17	Shaft	1	28257-0000	28257-0000	28257-0000	28257-0000	28257-0000	28257-0000
18	Bearing	1	SP2600-01	SP2600-01	SP2600-01	SP2600-01	SP2600-01	SP2600-01
Service Kit Contains*			SK376-0101	SK376-0103	SK376-0104	SK376-0121	SK376-0123	SK376-0124
OTHER SEAL OPTIONS								
Model No. with H/F Seal	28250-2201	28250-2203	28250-2204	28250-2221	28250-2223	28250-2224		
Model No. with Std. Seal Flashed	28250-2901	28250-2903	28250-2904	28250-2921	28250-2923	28250-2924		
Model No. with H/F Seal Flashed	28250-2701	28250-2703	28250-2704	28250-2721	28250-2723	28250-2724		
PARTS FOR APPROPRIATE SEAL CONVERSION								
6	Seal Assy H/F	1	28231-0203B	28231-0203B	28231-0204B	28231-0203B	28231-0203B	28231-0204B
Flushed Seal Kit No. & Contains			28232-0000B	28232-0000B	28232-0000B	28232-0000B	28232-0000B	28232-0000B
19	"O" Ring	1	X4020-237A	X4020-237A	X4020-237A	X4020-237A	X4020-237A	X4020-237A
20	Seal Housing	1	28212-0000	28212-0000	28212-0000	28212-0000	28212-0000	28212-0000
21	Tube	2	21844	21844	21844	21844	21844	21844
22	Seal Spacer	1	28217-0001	28217-0001	28217-0001	28217-0001	28217-0001	28217-0001
23	"O" Ring	1	X4020-215A	X4020-215A	X4020-215A	X4020-215A	X4020-215A	X4020-215A
24	Lip Seal	1	SP2701-0913	SP2701-0913	SP2701-0913	SP2701-0913	SP2701-0913	SP2701-0913
(1) Item 7 Not Required if Flush Seal Fitted.								
Optional 23470-0065B High Temperature Impeller Available								

SERVICE INSTRUCTIONS

Dis-Assembly

- Remove screws (1), endcover and "O" ring. Remove screws (11) and slide off body complete with impeller.
- Remove seal seat, cup rubber and push out impeller from body.
- Gently lever the seal spacer and seal (6) off the shaft.
- Prise out seal (14). Remove retaining ring (13) and carefully withdraw shaft with bearings assembled. Remove retaining ring (9) and push out seal (8).
- Remove bearings from shaft an arbor press is required, alternatively a bearing extractor may be used: "Support inner race of ball bearing, then apply a steady pressure on shaft until bearing is free. Repeat procedure to remove other bearing".

Note: Pumps with Flush Seal

After pulling out mechanical seal (6), unscrew tubes (21) and pull out seal housing.

Remove seal spacer. Remove "O" ring (23) and lip seal (24) from seal housing if necessary.

Assembly

- To fit bearings onto shaft: - Support inner race of Bearing and press the shaft until bearing locates against the shoulder. Repeat procedure for other bearing.
- Fit retaining ring (9) and lip seal (8) ensuring that spring on seal is facing outwards.
- Fill the bearings with grease, and the space between bearings two thirds full. Smear grease on the shaft where lip seal locates. Push shaft and bearing assembly into bearing housing. Fit retaining ring (13) and seal (14) with spring facing outwards.
- To fit seal: - Smear shaft with lubricating oil and slide seal spacer up to the shoulder on shaft. Push rotary seal gently until it touches the spacer. Fit impeller into lubricated body with a twisting motion in same direction as motor, then cup rubber and seal seat. Slide this assembly over shaft and fit screws (10) washers (11). Fit "O" ring into endcover and secure with screws onto body.

Note: Pumps with Flush Seal

Ensure "O" ring (23) is fitted under seal spacer (22). Smear seal spacer with lubricating oil. Press lip seal (24) in seal housing (20) and slide into position. Fit tubes (21) sealing with PTFE tape. Rotary seal and the "O" ring (19) can now be fitted.

Inspect all parts for wear or damage and replace if necessary.

INSTALLATION DRAWING

