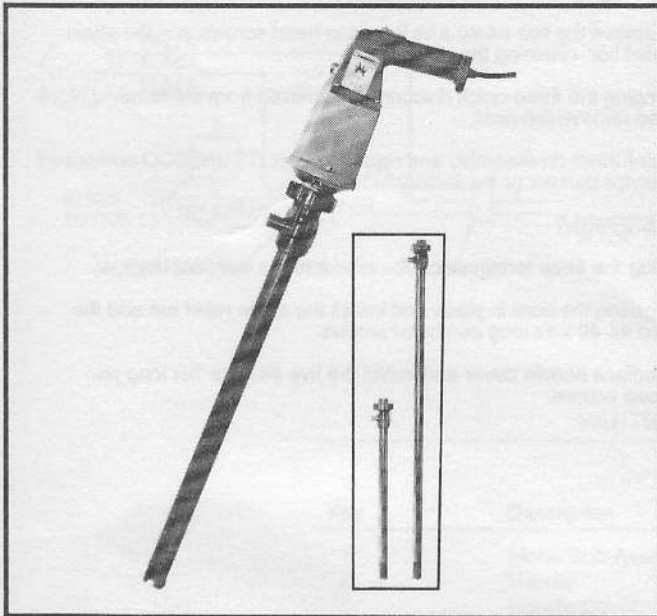




# Models 23650-SERIES 23640-9115

Models 23650-SERIES, 23640-9115



## LABORATORY DRUM PUMPS

**Tube:** Polypropylene  
**Impeller:** Axial Flow, Polypropylene  
**Shaft:** Hastelloy C  
**Seal:** Lip Seal, Nitrile  
**Port:** 3/4" I.D., Slip-on Hose Discharge  
**Motor:** 115 Vac, 1 PH, 60 Hz  
**Switch:** Oversized ON-OFF Rocker Switch  
**Overload**  
**Protection:** Integral Circuit Breaker Overload Switch with Manual Reset  
**Cord:** 16 Foot Oil Resistant Cord  
**Weight:** 23640-9115 4-1/2 lb (2,1 Kg) Approx.  
23650-0500 1-1/4 lb (0,5 Kg) Approx.  
23650-1000 2-1/4 lb (1,0 Kg) Approx.



## VARIATIONS AVAILABLE

MODEL NO.	DESCRIPTION
23650-0500	20" POLYPROPYLENE TUBE
23650-1000	39 1/2" POLYPROPYLENE TUBE
23640-9115	115 VAC, 1PH, 60 Hz MOTOR

## APPLICATIONS

Specifically designed to be used in laboratory size containers where fluids are to be transferred to smaller containers for handling.

**WARNING: THIS IS NOT SUITABLE FOR AREAS WHERE FLAMMABLE VAPORS ARE PRESENT. DO NOT PUMP SOLVENTS, THINNERS OR GASOLINE.**

## OPERATING INSTRUCTIONS

- 1. General** – When operating the JABSCO drum pump protective clothing, gloves, and safety glasses should be worn. All standard safety practices should be followed.
- 2. Installation** – Place threaded motor flange on drum pump mounting ring. Tighten mounting ring. Drive coupling is self-aligning. Motor and pump combination are ready for operation.
- 3. Connection** – Check that the voltage and frequency available corresponds to the data on the motor label. Before connecting the motor to the electrical outlet make sure the motor switch is in the OFF position. Periodically inspect complete length of cord for cracks or abrasions. Replace if necessary.
- 4. Enclosure** – Motor is not explosion proof. **WARNING: MOTOR CAN SPARK. EXPLOSION AND DEATH CAN OCCUR. DO NOT USE WHERE FLAMMABLE VAPORS ARE PRESENT.** Motor has weather protected enclosures and should not be used in wet environment or submerged in liquid. **ELECTRICAL SHOCK HAZARD MAY RESULT.** Should corrosive liquid come in contact with motor housing, wipe off with a neutralizing solution.
- 5. Overload Protection** – A manual reset circuit breaker switch has been built into the motor. Should the motor stop during operation due to an overload condition, turn ON-OFF switch to the OFF position. After a cooling period, depress the mechanical reset located on the motor handle. The motor will not restart unless the manual reset switch is depressed.
- 6. Temperature Range** – The motor is designed to operate in a 40° - 120°F (4° - 53°C) ambient temperature environment. Pumpage temperatures are maximum at 120°F (53°C). Motors are intended for intermittent duty cycle; defined as 5 minutes ON/5 minutes OFF. Running at high temperature may reduce motor life.
- 7. Performance Limits** – A maximum specific gravity of 1.8 or viscosity of 2500 ssu (540 cp) is the recommended limits for normal use. Contact factory for further information.
- 8. Spare Parts** – Use JABSCO service parts for replacement and repair.

## SERVICE INSTRUCTIONS

### PUMP TUBES

### MOTOR

#### DISASSEMBLY

1. Remove drive coupling by inserting screwdriver into conversion chamber through bottom, trap impeller unscrew coupling.
2. Remove cross bar from conversion chamber.
3. Unscrew conversion chamber carefully remove together with impeller and shaft, unscrew impeller from shaft.
4. Unscrew discharge port housing and remove assembly from outer tube.
5. Unscrew inner tube and remove from port housing assembly.
6. Remove retaining ring and mounting nut.

#### ASSEMBLY

1. Screw inner tube into port housing assembly.
2. Screw port housing and inner tube assembly on to outer tube.
3. Screw conversion chamber into outer tube making sure that O-ring is in place.
4. Fit impeller to shaft.
5. Slide impeller and shaft assembly into inner tube.
6. Refit cross bar in conversion chamber.
7. Fit drive coupling and tighten.
8. Fit mounting ring on port housing and secure with retaining ring.

#### DISASSEMBLY

1. Remove the five #4-40 x 1<sup>1</sup>/<sub>4</sub> long pan head screws retaining the handle cover and remove the cover.
2. Remove the two #4-40 x 3<sup>8</sup>/<sub>8</sub> long pan head screws and the strain relief bar retaining the cord.
3. Unplug the three quick disconnect terminals from the terminal block and remove the cord.
4. For further disassembly and repair contact ITT JABSCO authorized service centers or the factory.

#### ASSEMBLY

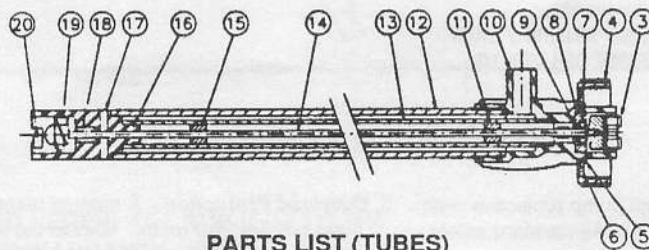
1. Plug the three terminals on the cord into the terminal block.
2. Position the cord in place and install the strain relief bar and the two #4-40 x 3<sup>8</sup>/<sub>8</sub> long pan head screws.
3. Replace handle cover and install the five #4-40 x 1<sup>1</sup>/<sub>4</sub> long pan head screws.



**WARNING: HAZARDOUS VOLTAGE. PRIOR TO ANY DISASSEMBLY OR ASSEMBLY OF THE JABSCO DRUM PUMP MOTOR MAKE CERTAIN THAT ALL ELECTRICAL POWER TO THE MOTOR IS DISCONNECTED AND PREVENTED FROM ACCIDENTALLY BEING CONNECTED. FAILURE TO DO SO MAY CAUSE DEATH OR INJURY.**

**NOTICE:** All electrical repair and wiring should be completed by a competent electrician and in accordance with applicable codes.

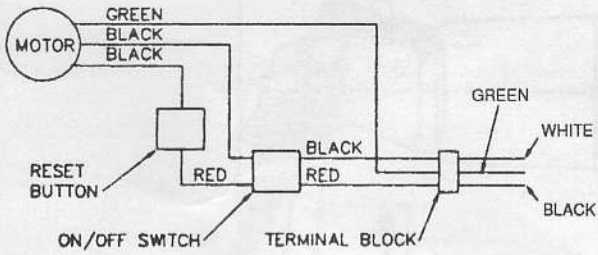
### CROSS SECTION VIEW (TUBES)



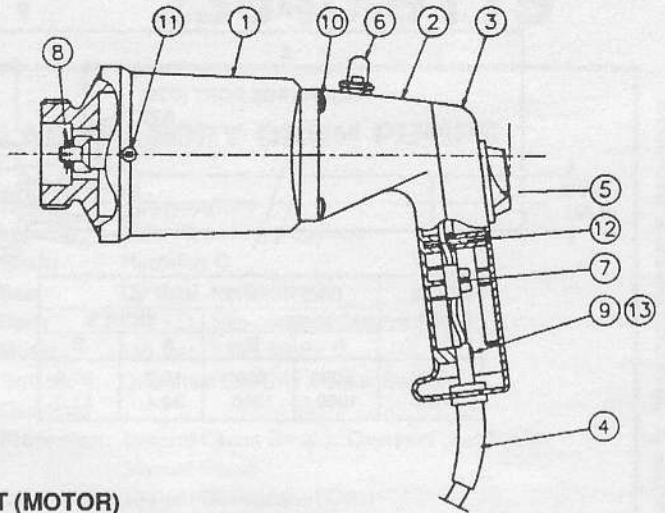
### PARTS LIST (TUBES)

Key	Description	Qty	Model 23650-0500 Part No.	Model 23650-1000 Part No.
3	Coupling	1	18753-0295	18753-0295
4:5:6	Locating Ring Assembly	1	18753-0296	18753-0296
7:8:9:10	Discharge Port Housing Assembly	1	18753-0297	18753-0297
11	Shaft Support Upper	1	18753-0298	18753-0298
12	Outer Tube	1	18753-0299	18753-0305
13	Inner Tube	1	18753-0300	18753-0306
14	Shaft	1	18753-0301	18753-0307
15	Shaft Support Lower	1	18753-0302	18753-0302
16:17:18:20	Impeller Housing Assembly	1	18753-0303	18753-0303
19	Impeller	1	18753-0304	18753-0304

### WIRING DIAGRAM



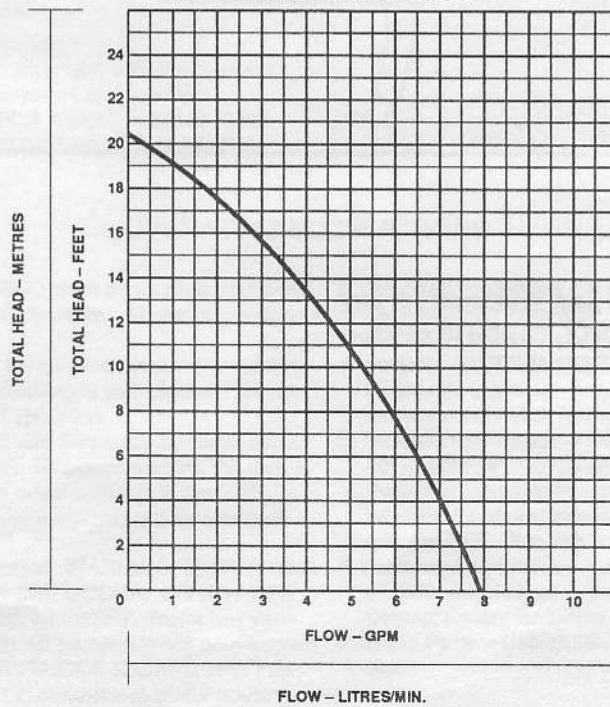
### CROSS SECTION VIEW (MOTOR)



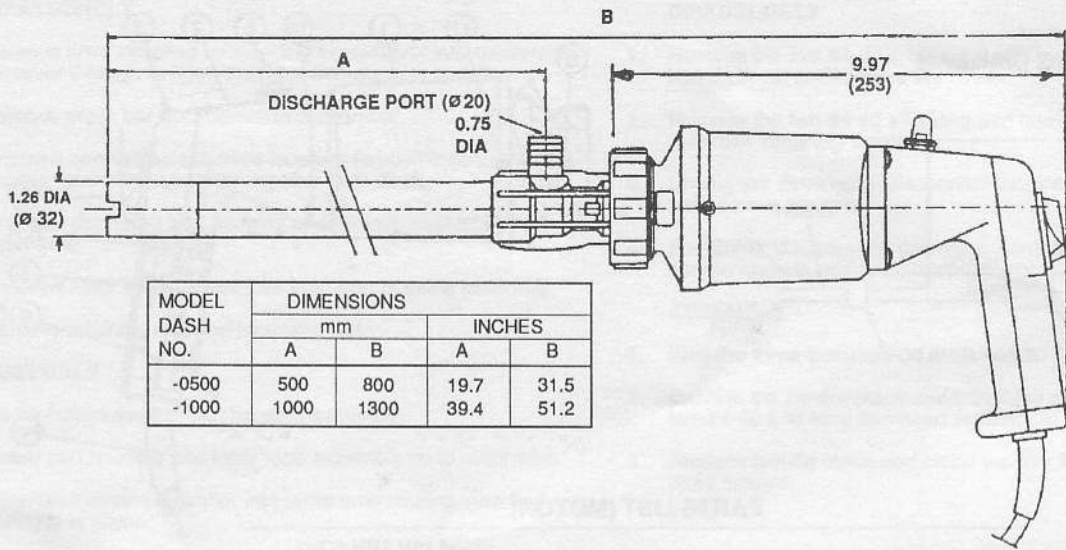
### PARTS LIST (MOTOR)

Key	Description	Qty	115V:1PH:60Hz Model 23640-9115 Part No.
1	Motor Sub-Assembly	1	18753-0308
2	Handle	1	16428-0000
3	Handle Cover	1	16429-0000
4	Cable Assembly	1	93007-0541
5	Switch	1	18753-0175
6	Circuit Breaker	1	18753-0310
7	Terminal Block	1	98043-0492
8	Drive Pin	1	18753-0311
9	Strain Relief Bar	1	16435-0000
10	Screw-Handle/Housing	4	18753-0312
11	Screw-Housing/Adaptor	4	18753-0313
12	Screw-Handle/Cover	5	91045-0394
13	Screw-Strain Relief Bar	2	91045-0395

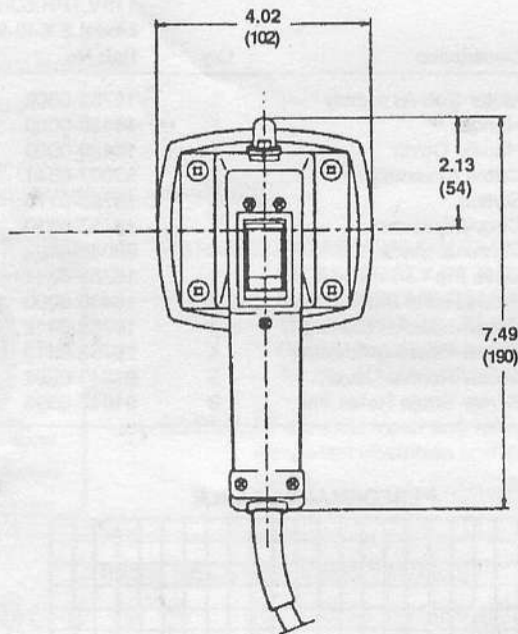
### PERFORMANCE TABLE



**DIMENSION DRAWINGS**  
INCHES (MILLIMETERS)



MODEL DASH NO.	DIMENSIONS			
	mm		INCHES	
	A	B	A	B
-0500	500	800	19.7	31.5
-1000	1000	1300	39.4	51.2



THE PRODUCTS DESCRIBED HEREIN ARE SUBJECT TO THE JABSCO ONE YEAR LIMITED WARRANTY, WHICH IS AVAILABLE FOR YOUR INSPECTION UPON REQUEST.

**ITT JABSCO**  
A Unit of ITT Corporation  
1485 Dale Way, P.O. Box 2158  
Costa Mesa, CA 92628-2158  
Telephone: (714) 545-8251