



040 Size Bronze Flexible Impeller Pump Head Kit

2/99

22860 Series

Bronze Flexible Impeller Pump

Features

- Flows up to 35 litres/minute @ 1500 RPM
- Self primes from dry up to 3.0 metres
- Handles hard or soft solids
- Non pulsating flow
- Gentle pump action does not damage shear-sensitive products
- Easy to service and maintain



Typical Applications

Industrial : From water to the most difficult, e.g. transferring foaming solutions with entrained air or solids, such as soap, circulating abrasive and non abrasive slurries. Transferring inks, dyes, starches etc.

Chemical : Circulating and transferring various chemicals such as ammonia, barium, copper sulphate, glycerine, nickel chloride, silver nitrate; various acids such as boric, carbonic, citric and photo processing solutions.

Specifications

Seal : Carbon/Ceramic mechanical seal

Pump Head : Bronze

End Cover : Brass

Bearings : Uses motor bearings

Shaft : Stainless steel shaft extension

Motor adaptor : Epoxy-coated aluminium, suitable for B3/B14 D80 frame motor to IEC 71 standard

Ports : 3/4" BSP internal thread

Weight : 1.9kg.

Model Options

Impeller option	Pressure	Neoprene	Nitrile
Temperature range		4°C to 80°C	-5°C to 90°C
Pump head only	Standard	22860-2001	22860-2003
	High	22860-2121	22860-2123


Note : it is not recommended to start the pump at extreme ends of the temperature range, impeller damage may occur

All models use Nitrile seal elastomers


Other options available, Pedestal & Motor pump units, in Bronze, Plastic & Stainless steel

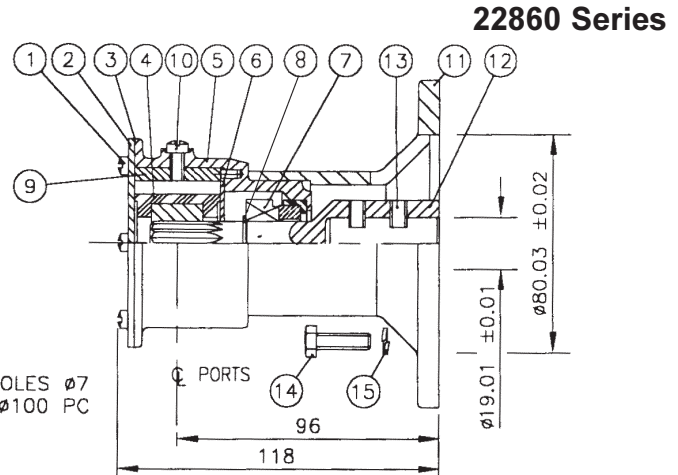
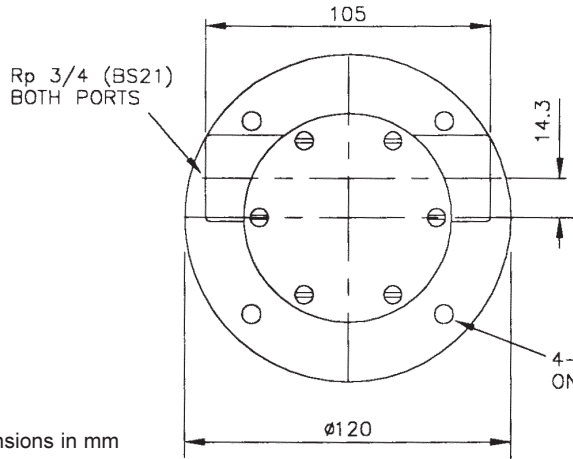
For Installation, Operating, Maintenance and Safety Instructions refer to form 43001-0543

WARNING Explosion hazard. Do not pump gasoline, solvents, thinners or other flammable liquids. To do so can cause an explosion resulting in injury or death.



WARNING Injury hazard. Exposed pulleys and belts can cause injury. Install shield around pulleys and belts. Stay clear while machinery is operating.





Parts List

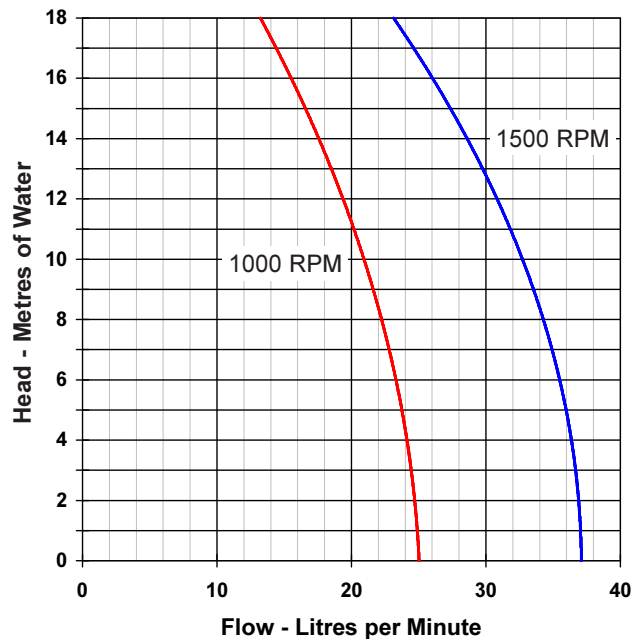
Key	Description	Qty	Part No.
1	Screw*	6	SP1002-02
2	Endcover	1	3992
3	Gasket*	1	3298
4	Impeller*	Neoprene	1 1210-0001
		Nitrile	1 1210-0003
		HP Neoprene	1 3085-0001
		HP Nitrile	1 3085-0003
5	Body	1	10554-200
6	Wearplate	1	7883
7	Seal assembly*	1	22626-6000
8	Retaining ring	1	SP1700-62
9	Cam	1	490
10	Screw	Cam 1	SP1003-01
11	Adaptor	1	22864
12	Extension	Shaft 1	22867
13	Screw	Set 2	X3009-176A
14	Screw	4	X3001-182C
15	Washer	4	X3081-091C

Parts marked * above are contained in a Service kit

Service kit	Neoprene	1	SK351
	Nitrile	1	SK239-37

Mechanical seals are fitted with Nitrile elastomers

Performance



Note : Performance shown is for a new pump, fitted with a standard pressure Neoprene impeller, pumping water at 20°C, performance may vary by up to 15%. Consult factory for performance of alternative impeller compounds.

Jabsco



ITT Industries

USA

Jabsco
1485 Dale Way
Costa Mesa
CA 92628-2158

Tel : +1 714 545 8251
Fax : +1 714 957 0609

UK

Jabsco
Bingley Road
Hoddesdon
Hertfordshire, EN11 0BU

Tel : +44 (0) 1992 450 145
Fax : +44 (0) 1992 467 132

GERMANY

Jabsco GmbH
Oststraße 28
22844 Norderstedt

Tel : +49 (0) 40 53 53 73 0
Fax : +49 (0) 40 53 53 73 11