



# 200 Size Bronze Flexible Impeller Pump Head Kit

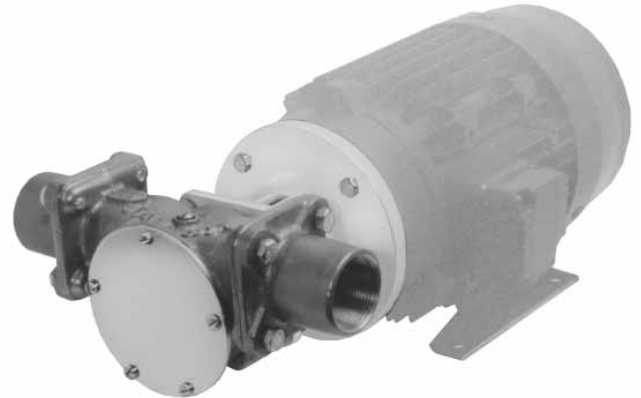
2/99

## 22880 Series

### Bronze Flexible Impeller Pump

#### Features

- Flows up to 200 Litres/Minute @ 1500 RPM
- Self prime from dry up to 3.0 metres
- Handles hard or soft solids
- Non pulsating flow
- Gentle pump action does not damage shear-sensitive products
- Easy to service and maintain



#### Typical Applications

**Industrial** : From water to the most difficult, e.g. transferring foaming solutions with entrained air or solids, such as soap, circulating abrasive and non abrasive slurries. Transferring inks, dyes, starches etc.

**Chemical** : Circulating and transferring various chemicals such as ammonia, barium, copper sulphate, glycerine, nickel chloride, silver nitrate; various acids such as boric, carbonic, citric and photo processing solutions, widely used for polyelectrolyte.

#### Model Options

Impeller option	Neoprene	Nitrile
Temperature range	4°C to 80°C	-5°C to 90°C
Pump head only	22880-2001	22880-2003
Note : it is not recommended to start the pump at extreme ends of the temperature range, impeller damage may occur		
All models use Nitrile seal elastomers		
Other options available, Pedestal & Motor pump units, in Bronze, Plastic & Stainless steel		

#### Specifications

**Seal** : Carbon/Ceramic mechanical seal

**Pump Head** : Bronze

**End Cover** : Brass

**Bearings** : Uses motor bearings

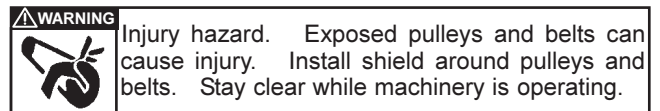
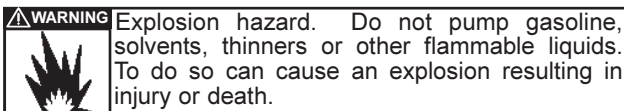
**Shaft** : 316 Stainless steel shaft extension

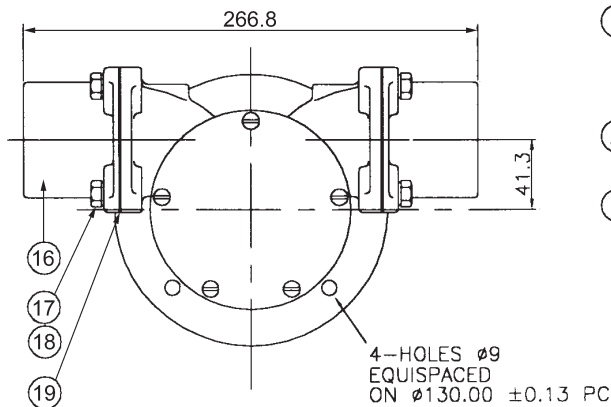
**Motor adaptor** : Epoxy-coated aluminium, suitable for B3/B14 D100 frame motor to IEC 71 standard

**Ports** : Flanged, adaptors available

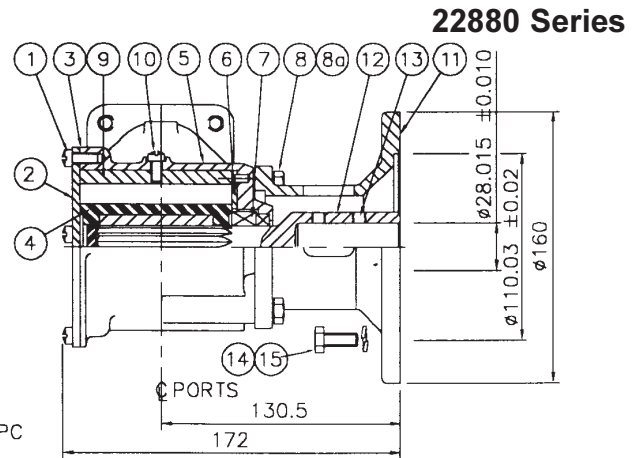
**Weight** : 7.7kg.

For Installation, Operating, Maintenance and Safety Instructions refer to form 43001-0543





Dimensions in mm



### Parts List

Key	Description	Qty	Part No.
1	Screw*	6	SP1005-04
2	Endcover	1	9336
3	Gasket*	1	816
4	Impeller*	Neoprene	1 836-0001
		Nitrile	1 836-0003
5	Body	1	10634
6	Wearplate	1	2574
7	Seal assembly*	1	21849
8	Screw	4	SP1095-28
8a	Washer	4	SP1602-13
9	Cam	1	834
10	Screw	1	SP1005-04
11	Adaptor	1	22884
12	Extension	1	22887
13	Screw	2	X3009-203A
14	Screw	4	X3001-209C
15	Washer	4	X3081-101C
16	Port adaptor #	1½" BSP	2 10941
		1½" NPT	2 10940
		2" Hose	2 10942
17	Screw #	8	SP1095-19
18	Washer #	8	SP1602-09
19	Gasket #	2	10948

Parts marked \* above are contained in a Service kit

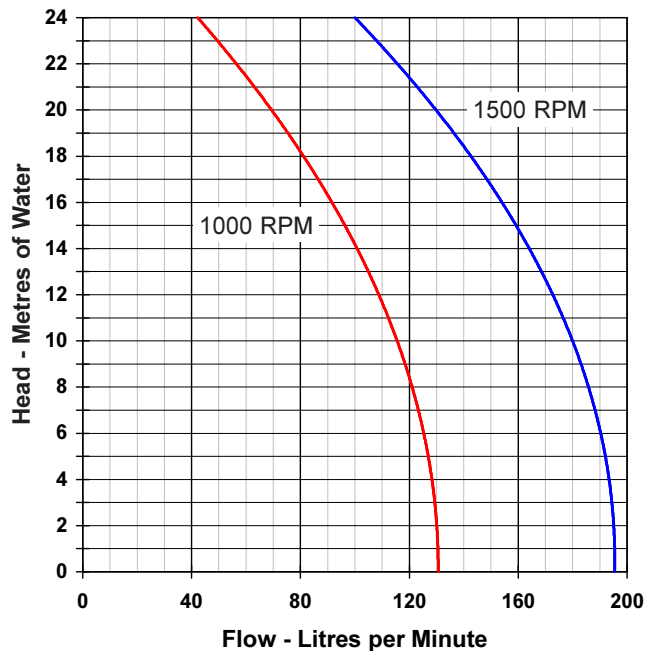
Service kit	Neoprene	1	SK230
	Nitrile	1	SK230-37

Parts marked # above are contained in an adaptor kit

Port adaptor kit	1½" BSP	1	K1-200
	1½" NPT	1	K1
	2" Hose	1	K1-01

Mechanical seals are fitted with Nitrile elastomers

### Performance



**Note :** Performance shown is for a new pump, fitted with a Neoprene impeller, pumping water at 20°C, performance may vary by up to 15%. Consult factory for performance of alternative impeller compounds.

Jabsco



ITT Industries

USA

**Jabsco**  
1485 Dale Way  
Costa Mesa  
CA 92628-2158

Tel : +1 714 545 8251  
Fax : +1 714 957 0609

UK

**Jabsco**  
Bingley Road  
Hoddesdon  
Hertfordshire, EN11 0BU

Tel : +44 (0) 1992 450 145  
Fax : +44 (0) 1992 467 132

GERMANY

**Jabsco GmbH**  
Oststraße 28  
22844 Norderstedt

Tel : +49 (0) 40 53 53 73 0  
Fax : +49 (0) 40 53 53 73 11