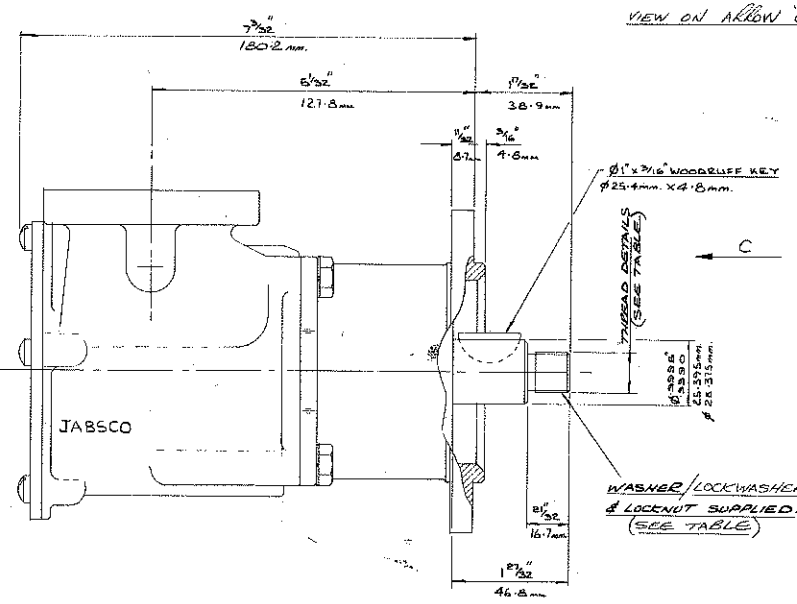
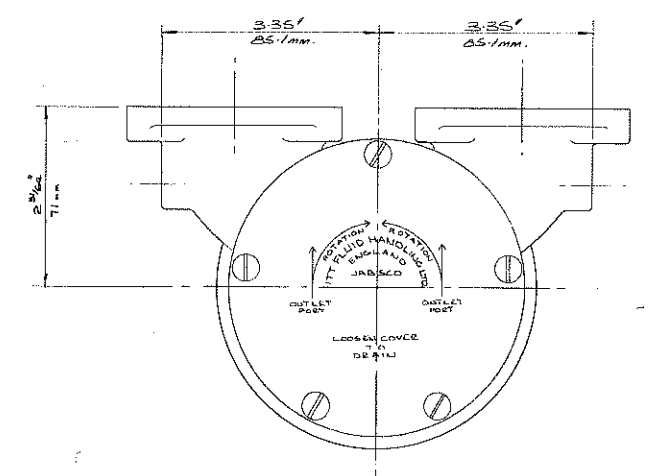
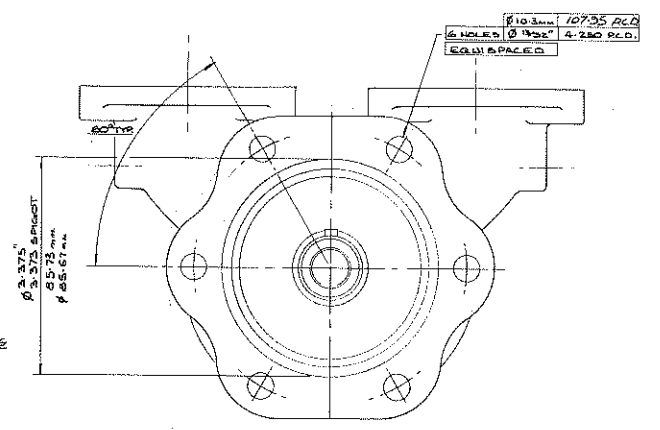
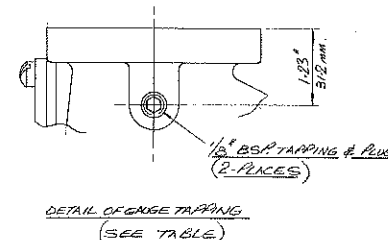
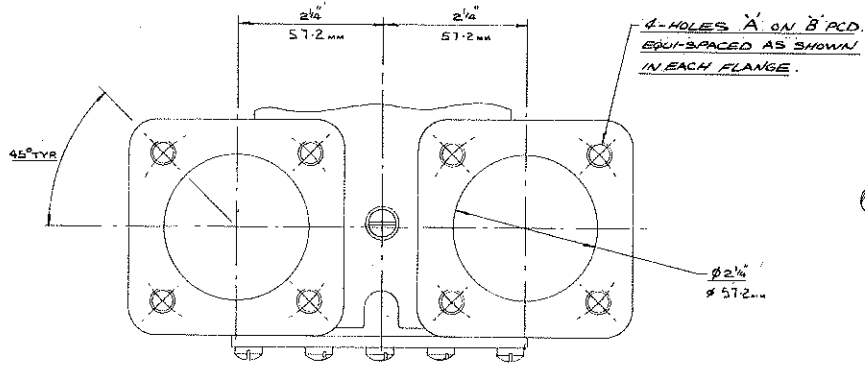


INSTALLATION	ASSEMBLY	S.O.M.	NOTES	A	B	THREAD DETAILS	GAUGETAPPING
22040	22041	22042					
22040-01	22041	22042-01	NOTE: MILLER ADAPTOR FLANGE AND OTHER ITEMS SUPPLIED. LOCKE.	3/8"-16UNC/2A	3/25" (82.55mm)	5/8"-18UNC/2A - RIGHT HAND	
22040-0/31	22041	22042-0/31	FITTED WITH ENGRAVED CAM.	3/8"-16UNC/2A	3/25" (82.55mm)	" " " " " "	
22040-0531	22041	22040-0531	ENTER TYPE INDICATED EXACT. LOCKWASHER NOT SUPPLIED.	M10 X G.H.	3.562" (90.47mm)	" " " " " "	2-PLACES
22040-0501	22041	22040-0501	LOCKWASHER NOT SUPPLIED.	" " " "	" " " "	5/8"-18 UNC 2A - LEFT HAND	" " " "



DATE	REV	REVISION	REV	BY	CHK	APP
	A	METRIC DIMS. ADDED	3/74	DB	JK	
	B	ECO 3115			JK	
	C	ECO 3281			JK	
	D	ECO 3343			JK	
	E	ECO 3535			JK	
	F	ECO 4508			JK	
	G	ECO 4901			JK	

ASSEMBLY INSTRUCTIONS ~ 22049  
SERVICE KIT ~ SK 318

NOTES

MATERIAL SPEC:

DO NOT SCALE-REPORT ERRORS

REMOVE SAND & FINIS FROM CASTINGS. FLASH & SCALE FROM FORGINGS.

SURFACE FINISH SPECIFICATIONS ARE IN MICROINCHES UNLESS OTHERWISE STATED. THE FOLLOWING APPLY PART TO BE FREE OF BURRS.

DIMENSIONAL LIMITS DECIMAL ± .010 ± .015 ± .020 FRACTIONAL ± 1/32 ANGULAR ± 1/2° ± .25°

ITT FLUID HANDLING LIMITED  
HODDESDON, HERTS, ENGLAND

DR	8/8	8/8	8/8
CA	8/8	8/8	8/8
APP	8/8	8/8	8/8

TITLE

INSTALLATION 2" MARINE PUMP

PART NO

22040 REVISED

SCALE

1:1

D