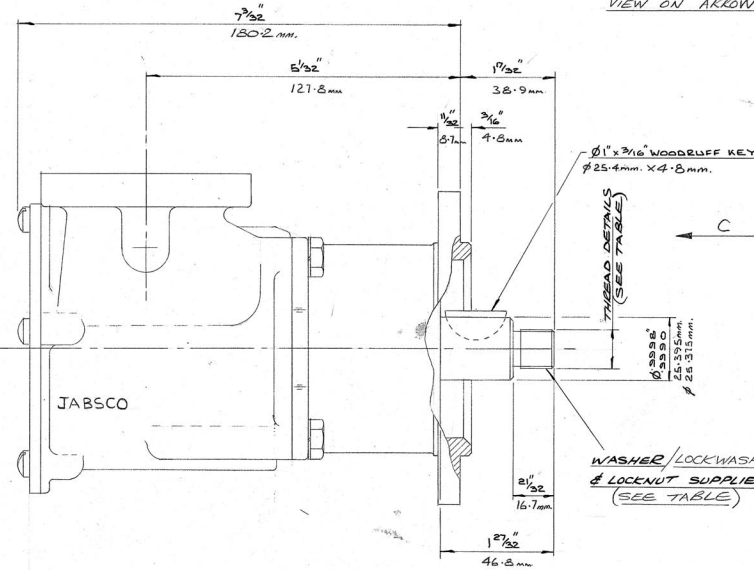
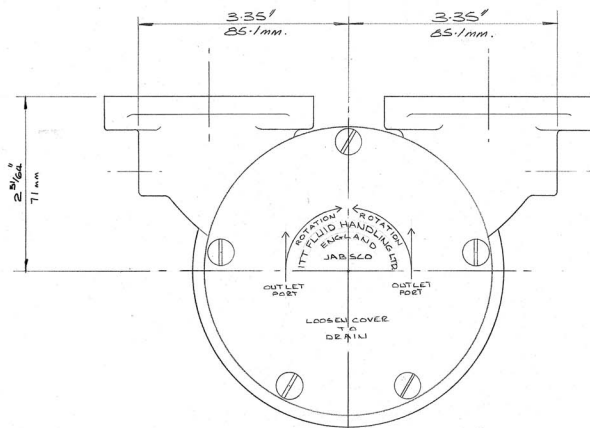
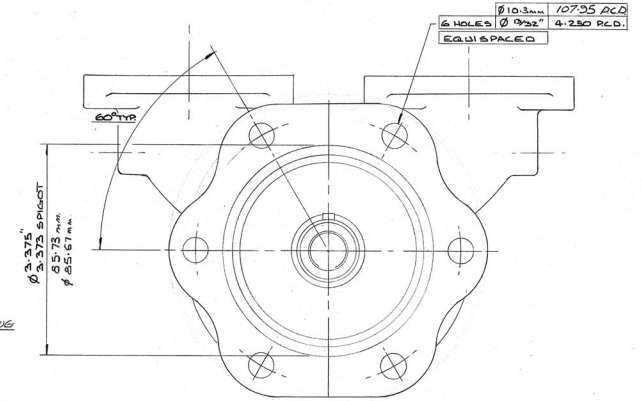
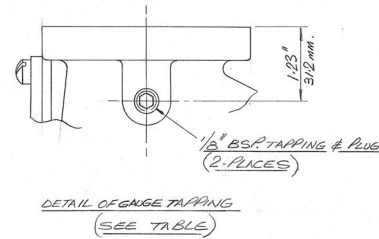
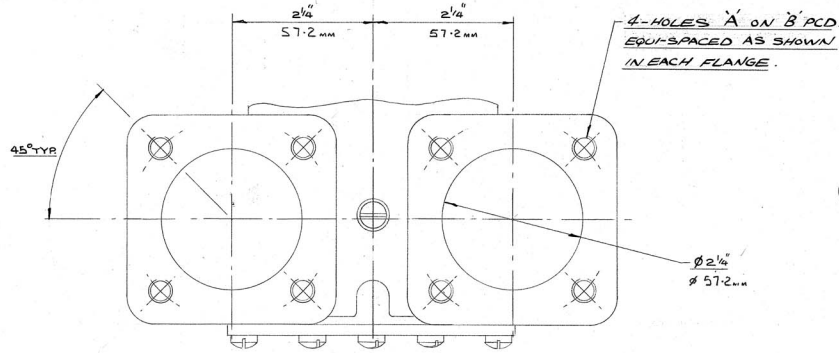


INSTALLATION	ASSEMBLY	B.O.M.	NOTES	A	B	THREAD DETAILS	GAUGETAPPING
22040	22041	22042	---	---	---	---	---
22040-01	22041	22042-01	NOTE INCLUDES ADAPTOR FLANGE AND OTHER ITEMS SUPPLIED LOOSE	3/16" - 16UNC. / 28.325" (82.55mm)	5/8" - 18UNC. 2A. - RIGHT HAND	" " " " " "	" " " " " "
22040-013/	22041	22042-013/	FITTED WITH REDUCED CAM. FITTED WITH REDUCED CAM. LOCKWASHER NOT SUPPLIED.	M10 X G.H. 3.562" (90.47mm)	" " " " " "	" " " " " "	2-PLACES
22040-053/	22041	22040-053/	LOCKWASHER NOT SUPPLIED	" " " " " "	3/8" - 18 UNC. 2A. - LEFT HAND	" " " " " "	" " " " " "
22040-050/	22041	22040-050/	LOCKWASHER NOT SUPPLIED	" " " " " "	" " " " " "	" " " " " "	" " " " " "



ASSEMBLY INSTRUCTIONS ~ 22049
SERVICE KIT ~ SK318

DATE	LET	REVISION	REF.	BY	CHK.	APP.
2013	A	METRIC DIMS. ADDED	3/11	JR	DF	JR
2013	B	ECO 31/5		JR		JR
2013	C	ECO 32/1		JR		JR
2013	D	ECO 33/3		JR		JR
2013	E	ECO 35/5		JR		JR
2013	F	ECO 40/8		JR		JR
2013	G	ECO 43/1		JR		JR

NOTES
MATERIAL SPEC:
DO NOT SCALE - REPORT ERRORS
REMOVE SAND & FINES FROM CASTINGS. FLASH & SCALE FROM FORGINGS.
SURFACE FINISH SPECIFICATIONS ARE IN MICRONS UNLESS OTHERWISE STATED THE FOLLOWING APPLY
PART TO BE FREE OF BURRS
DIMENSIONAL LIMITS: DECIMAL ± 0.10 ± 0.05 ± 0.03
FRACTIONAL ± 1/32. ANGULAR ± 1/2° ± 3/32°

ITT FLUID HANDLING LIMITED HODDESDON, HERTS, ENGLAND			
DR.	6 Co	16-5-74	E O
CHK.	3 Co	2-5-78	
APP.	JR		
TITLE INSTALLATION 2" MARINE PUMP			
PART No.	22040	SCALE	1:1
			D