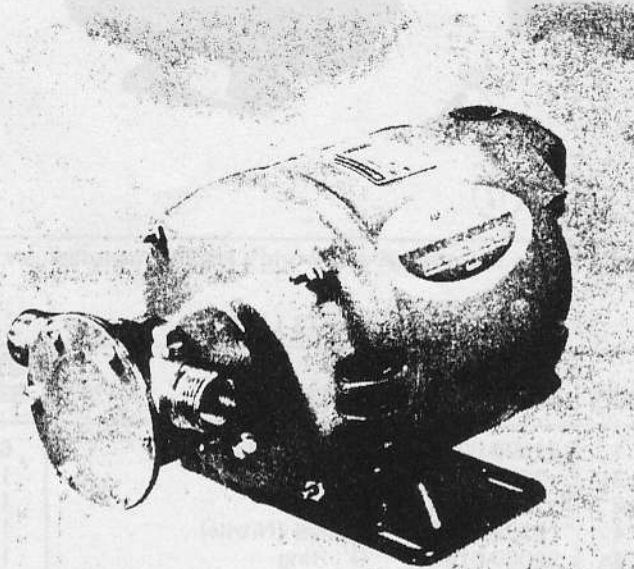


# JABSCO® PUMPS

Self-Priming Pumps

**MODELS: 2187-0321** 32 Volts D.C.  
**2187-1101** 110 Volts D.C.

11810 -  
 Product Data



Model: 2187-0321

## DESIGN FEATURES

- Body: Bronze
- Impeller: Jabsco Nitrile Compound
- Wearplate: Replaceable
- Shaft Seal: Rotary Type Carbon Face Replaceable Seal Seat
- Ports: ¾" Garden Hose Thread and ½" Internal Pipe Thread
- Weight: 38 lbs. (Approximately) (17,3 Kg)
- Motor: ¼ H. P. 1725 RPM  
 32 Volt D.C.: 6.0 AMP;  
 110 Volt D.C.: 2.8 AMP Open Flow

## APPLICATIONS

Ideal for bilge pumping, Bait tank, Wash downs; and General Marine Service

## HEAD CAPACITY TABLE

TOTAL HEAD				1725 RPM	
Lbs. per sq. in.	Kg per sq. cm.	Ft. of Water	Meters of Water	GPM	Liters per sec.
4.3	,3	10	3	9.5	,6
8.7	,6	20	6,1	7.6	,48
13.0	,9	30	9,1	6.0	,38
17.3	1,2	40	12,2	4.2	,26

## OPERATING INSTRUCTIONS

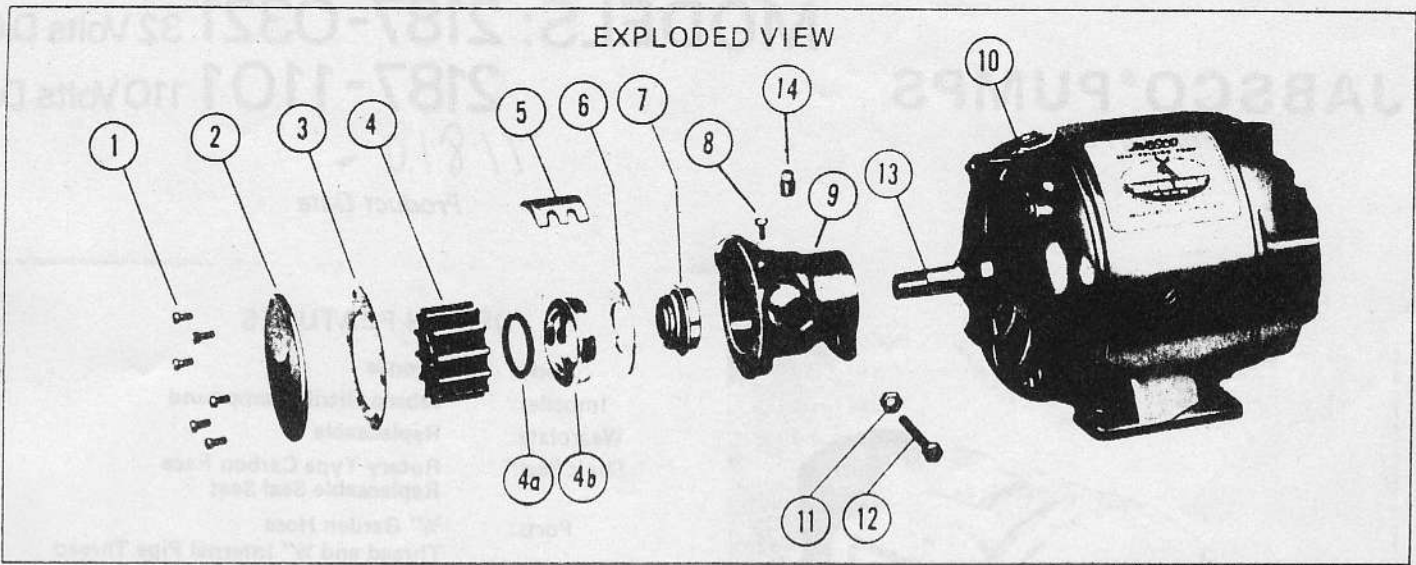
1. **INSTALLATION**—Pump may be mounted in any position without loss of efficiency; however, it is suggested that the pump head be down if vertical mounting is desired. The rotation of the motor shaft determines the location of the pump's intake and discharge ports. Refer to Dimensional Drawing.
2. **DRIVE**—Direct.
3. **SELF-PRIMING**—Pump will produce a suction lift approaching 15 feet when dry, and a lift up to 22 feet when primed. **BE SURE SUCTION LINES ARE AIR TIGHT** or pump will not self-prime.
4. **RUNNING DRY**—Unit depends on liquid pumped for lubrication. **DO NOT RUN DRY** for more than 30 seconds. Lack of liquid will burn the impeller.
5. **CAUTION**—Do not pump solvents, thinners, highly concentrated or organic acids. If corrosive fluids must be handled, pump life will be prolonged if flushed with water after each use or after each work day. **MOTOR IS NOT EXPLOSION PROOF.**
6. **PRESSURES**—For continuous operation, pressure should not exceed 20 PSI for either the 2187-0321 or 2187-1101.
7. **TEMPERATURE**—Impeller supplied in pump is recommended for liquid temperatures of 50° - 180° F.
8. **SPARE PARTS**—To avoid costly shut downs, keep a Jabsco Service Kit on hand.

**JABSCO PRODUCTS ITT**

Marine and Recreation Components Division  
 International Telephone and Telegraph Corporation  
 1485 Dale Way, Costa Mesa, California 92626

Telephone: (714) 545-8251

MODEL: 2187-0321/2187-1101



Insist on genuine Jabsco parts — made only by Jabsco Products ITT — the original and world's leading manufacturer of self-priming flexible neoprene impeller pumps.

### SERVICE INSTRUCTIONS

#### DISASSEMBLY

1. Remove end cover screws, gasket, and end cover.
2. Withdraw impeller and seal seat assembly.
3. Loosen cam screw and remove cam. Clean off Permatex. Remove wearplate with screwdriver or hooked wire.
4. Loosen nut at body clamp. Remove body from motor spud.
5. Press seal out of body towards impeller bore.
6. Split slinger along shaft keyway and remove.

#### ASSEMBLY

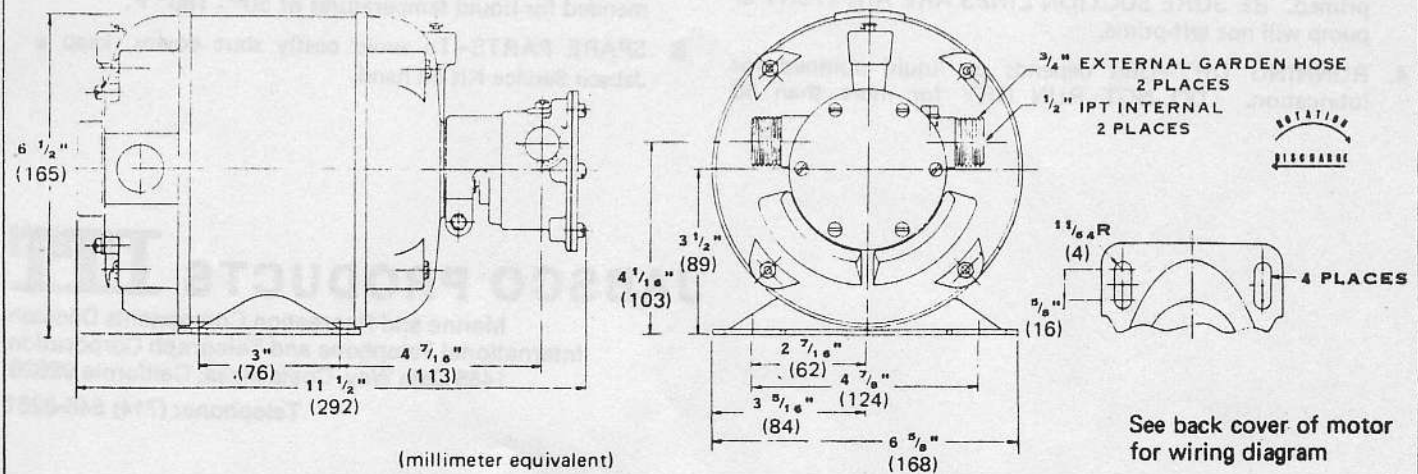
1. Install slinger and position  $\frac{1}{4}$ " from boss.
2. Permatex I. D. of seal case. Use  $\frac{1}{2}$ " pipe size short nipple to press seal in body seal bore.
3. Install wearplate, aligning slot with dowel pin.
4. Permatex top of cam and cam screw threads. Install cam and secure with cam screw, making sure cam is flush with end cover surface.
5. Install body on motor. Tighten nut at clamp, just tight enough to prevent body from turning. Do not over-tighten or motor bearings will be damaged.
6. Lubricate impeller bore with grease.
7. Lubricate shaft O. D. with grease, align ding in impeller with keyway in shaft and install impeller and seal seat assembly. Caution: The polished seal seat of the impeller assembly must be handled carefully to avoid scratching.
8. Install gasket, end cover, and end cover screws.

### PARTS LIST

KEY	NEW PART NUMBER	DESCRIPTION	QTY. REQ.
1	91003-0010	Screws (End Cover)	6
2	2236-0000	End Cover	1
3	* 2241-0000	Gasket	1
4	* 2232-0003	Impeller (Nitrile)	1
4a	92000-0120	"O" Ring	1
4b	3023-0000	Seal Seat	1
5	490-0000	Cam	1
6	2235-0000	Wearplate	1
7	*92700-0020	Seal	1
8	91003-0010	Screw (Cam)	1
9	2230-0000	Body	1
10	93004-0570	Motor, 32 volts, D.C.	1
	93004-0450	Motor, 110 volts, D.C.	1
11	91105-0030	Nut	1
12	91095-0090	Bolt	1
13	2398-0000	Slinger	1
14	92650-0070	Plug (for vacuum switch hole)	1
	4008-0003	Complete Pump Head	
	90018-0003	Service Kit (Not Shown)	1

\*Parts contained in Service Kit.  
2232-0001 Neoprene Impeller available upon request from factory.

### DIMENSIONAL DRAWING



See back cover of motor for wiring diagram