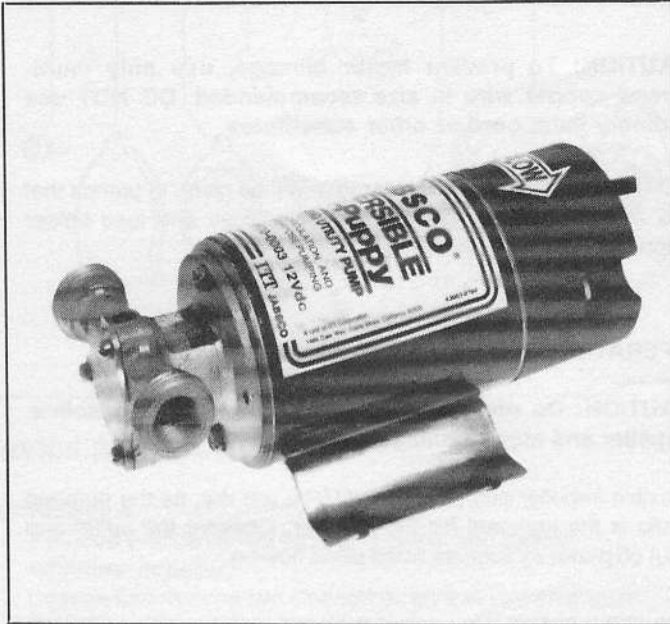


**JABSCO**

# Model 18620-SERIES

Model 18620-SERIES



## REVERSIBLE PUMP

### FEATURES

<b>Body:</b>	Bronze
<b>Impeller:</b>	Nitrile
<b>Seal:</b>	Lip Type
<b>Motor:</b>	Reversible Permanent Magnet Type with Intergral Reversing Switch and Fuse
<b>Ports:</b>	3/4 Inch Garden Hose External 3/8 Inch Pipe Thread Internal
<b>Height:</b>	3 3/8 Inches
<b>Length:</b>	8 5/8 Inches
<b>Width:</b>	4 Inches
<b>Weight</b>	5 1/2 Pounds, 2 1/2 kgs (approx.)

**WARNING**

Do not pump solvents, thinners or gasoline as explosion may result causing personal injury or death.

**WARNING**

Do not operate with rivets removed from motor case. Explosion resulting in personal injury, death or property damage may occur. Case openings must be sealed to avoid explosion and maintain ignition protected rating.

Motor meets USCG Electrical Standards (Title 33, Chapter 1, Part 183; Subpart 1) for IGNITION PROTECTION on gasoline powered vessels. SEE WARNING Note.

### APPLICATION

Use for circulating and draining bait tank, engine oil changing or general pumping requirements. With a wet impeller, pump will produce a suction lift of about 3 to 4 feet (0,9 to 1,2m) and a lift of about 10 feet (3m) when primed. **BE SURE SUCTION LINES ARE AIRTIGHT.**

### PLUMBING CONNECTIONS

Pumps have external hose threads and internal 3/8" pipe threads. Use hose that does not kink when bent or collapse due to the suction of the pump. Arrange hoses to trap liquid in pump body to wet the impeller. Wetting the impeller aids in priming and extends impeller life. All hoses must have airtight connections.

### INSTALLATION

The pump must be mounted in a dry location – the motor is not waterproof and must not be submerged. SELECTION OF A COOL, VENTILATED location will generally extend pump motor life. The unit can be mounted in any desired position. It is best to mount so that water dripping from loose port connection will not wet the motor. The pump head may be mounted at 90 degree increments on the motor to accommodate plumbing connections as needed.

### HEAD VS. FLOW CHART

PSI	TOTAL HEAD		CAPACITY	
	FEET	METRES	GPM	l/MIN
2.1	5	1,5	1.8	6,8
4.3	10	3,0	1.7	6,4
8.7	20	6,1	1.6	6,1
17.4	40	12,2	1.2	4,5

Chart shows approximate Head/Flow for new pump.

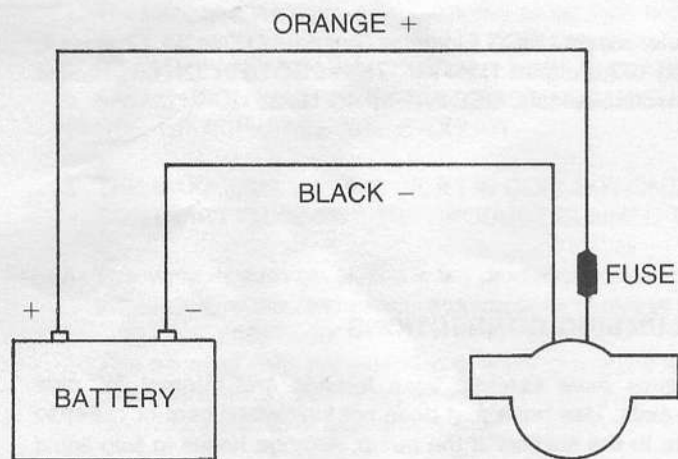
## ELECTRICAL CONNECTIONS



**WARNING** If pump is operated in an area containing flammable vapors, wire leads must be joined by insulated mechanical locking connectors. Loose or inadequate wire connections can spark resulting in an explosion, property damage, injury or death.

Connect black wire to negative (-) terminal of battery. The orange wire with the fuse holder should be connected to the positive (+) terminal of battery. Electrical circuit must be independent of all other accessories. Failure to connect black wire to negative and orange wire to positive will result in inverse motor rotation and reversed flow direction. Use proper wire size as determined by wire table elsewhere on this sheet. The proper fuse has been included in the fuse holder. Should this fuse blow, replace with the same size fuse after determining reason for blown fuse.

## WIRING DIAGRAM



## ELECTRICAL SPECIFICATIONS

MODELS	VOLTAGE		AMP DRAW	FUSE SIZE
	DC			
18620-0003	12		5	7 Slow Blow
18620-0023	32		3	3 Slow Blow

## MINIMUM WIRE SIZES

### WIRE LENGTH BETWEEN BATTERY AND MOTOR

	12V	32V
1-10 ft. (3m)	14	16
11-20 ft. (6m)	10	16
21-30 ft. (9m)	10	16

**CAUTION: To prevent motor damage, use only multi-strand copper wire in size recommended. DO NOT use ordinary lamp cord or other substitutes.**

**NOTICE:** No warranty consideration will be given to pumps that are returned without the properly sized fuse and fuse holder supplied with the pump.

## OPERATION

**CAUTION: Do not pump solvents, thinners, or gasoline. Impeller and motor damage will occur.**

Flexible impeller pumps must NOT be run dry, as the pumped liquid is the lubricant for the impeller. Observe the outlet and shut off pump as soon as liquid stops flowing.

The pump cannot run against a closed outlet such as encountered when using a garden hose type shut-off nozzle.

Temperature of pumped liquid may be in the range of 45° - 160°F (10° - 70°C).

Pressure for normal operation should not exceed 40 feet of head (17.4 psi).

## MAINTENANCE

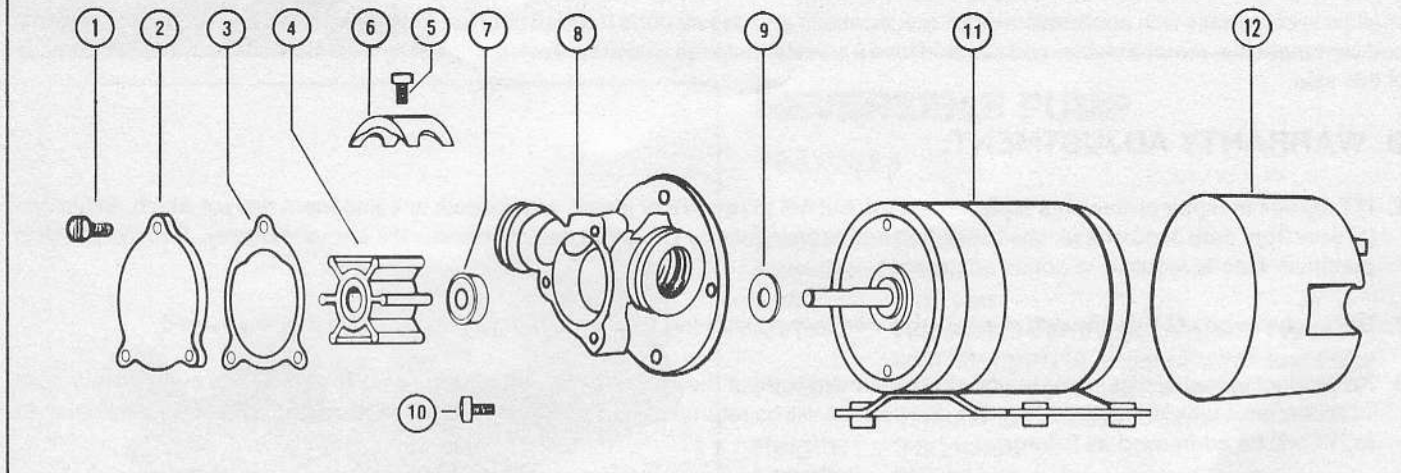
Check wires and connections to be sure corrosion is not adding additional resistance to the motor circuit and causing a low voltage condition *at the motor*. Low voltage can inhibit starting and cause fuse to blow. Full voltage should be available to prevent motor damage.

**NOTICE:** If pump is idle for extended periods, the impeller may stick to the pump body, preventing motor rotation and causing blown fuses. To correct, remove end cover and impeller. Clean body and impeller, then lubricate with water or small amounts of grease before assembly.

If pump is to be in freezing temperatures, drain by loosening end cover.

A service kit, or at least a spare impeller, should be carried aboard to be assured of pumping capability.

### EXPLODED VIEW



### SERVICE INSTRUCTIONS

#### DISASSEMBLY

1. Remove end cover screws, end cover and gasket.
  2. Withdraw impeller.
  3. Loosen and remove two slotted hex screws, which attach body to motor.
  4. Tap body lightly between ports and remove body from motor.
  5. Deform seal and remove from body cavity.
- NOTE: Do not tamper with or disassemble motor.

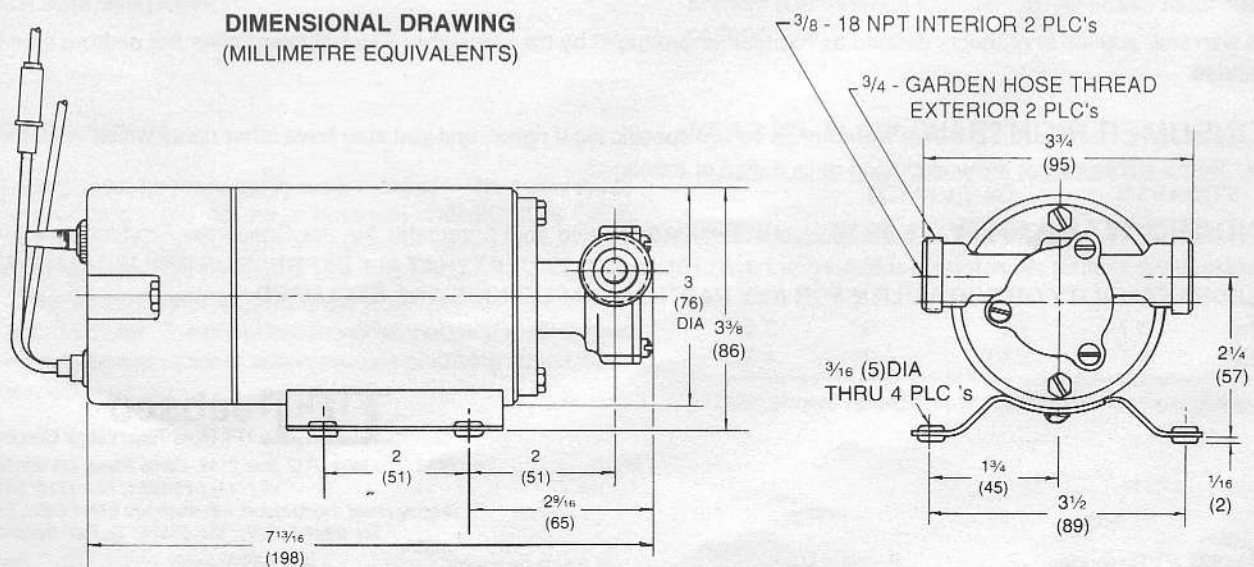
#### ASSEMBLY

1. Lubricate seal. Deform seal and install in cavity with open side of seal facing impeller.
2. Lubricate motor shaft and install body on motor.
3. Lubricate impeller bore and, aligning flat in impeller with flat on motor shaft, install impeller.
4. Install gasket, end cover and screws.

KEY	DESCRIPTION	PART NUMBER	QTY.
1	Screw (End Cover)	91002-0090	3
2	End cover	12076-0000	1
3*	Gasket	7828-0000	1
4*	Impeller, Nitrile	14750-0003	1
5	Screw (Cam)	91002-0010	1
6	Cam	8089-0000	1
7*	Seal	93000-0100	1
8	Body	7824-0000	1
9	Slinger	6342-0000	1
10	Screw (Body to Motor)	98019-0020	2
11	Motor		1
	Model 12V	18753-0067	
	Model 32V	18753-0068	
12	Switch/Housing Assy.	18753-0069	1
	Service Kit, Nitrile	90092-0004	

\*Parts contained in Service Kit

### DIMENSIONAL DRAWING (MILLIMETRE EQUIVALENTS)



# One Year Limited Warranty

**A. LIMITED WARRANTY:** ITT warrants that at the time of shipment, the products manufactured by ITT and sold hereunder shall be in conformity with applicable written specifications and descriptions referred to or set forth herein, free from defects in material and workmanship, merchantable, and suitable for a particular purpose, provided such is implied by State law under the circumstances of this sale.

## **B. WARRANTY ADJUSTMENT:**

1. ITT agrees to repair or furnish a replacement for, but not to remove or install, any product or component thereof which, within one (1) year from date of purchase, shall upon test and examination by ITT prove defective within the above warranty. Receipt verifying purchase date is required to obtain adjustment.
2. Buyer shall notify ITT of any defect within this warranty no later than ninety (90) days after the defect is discovered.
3. No product will be accepted for return or replacement without the prior written authorization of ITT. Upon such authorization, and in accordance with instructions from ITT, the product will be returned to ITT, shipping charges prepaid by Buyer. Products returned to ITT will be addressed as follows:

**ITT JABSCO**  
1485 Dale Way  
Costa Mesa, California 92626-3998

Or to such alternate locations as may be designated on the product, its container, or this sheet.  
Repair or replacement made under this warranty will be shipped prepaid to Buyer.

## **C. EXCLUSIONS FROM WARRANTY AND LIMITATION OF LIABILITY:**

1. The foregoing warranty is limited solely as set forth herein and applies only for the period designated above.
2. ITT SHALL NOT BE LIABLE FOR ANY LOSS, DAMAGE, SPECIAL OR CONSEQUENTIAL DAMAGE OF ANY KIND, WHETHER BASED UPON WARRANTY, CONTRACT, NEGLIGENCE, OR STRICT LIABILITY ARISING IN CONNECTION WITH THE SALE, USE, OR REPAIR OF THE PRODUCT.
3. THE MAXIMUM LIABILITY OF ITT IN CONNECTION WITH THIS WARRANTY SHALL NOT IN ANY CASE EXCEED THE CONTRACT PRICE FOR THE PRODUCT CLAIMED TO BE DEFECTIVE OR UNSUITABLE.
4. This warranty does not extend to any product manufactured by ITT which has been subjected to misuse, neglect, accident, improper installation, or use in violation of instructions furnished by ITT.
5. This warranty does not extend to or apply to any unit which has been repaired or altered at any place other than ITT's factory, or by persons not expressly approved by ITT, nor to any unit the serial number, model number, or identification of which has been removed, defaced or changed.
6. Components manufactured by any supplier other than ITT shall bear only that warranty made by the manufacturer of that product.
7. This warranty applies to products defined as "consumer products" by the Consumer Product Warranties Act as from time to time amended.

**D. CONSUMER RIGHTS:** This warranty gives you specific legal rights, and you may have other rights which vary from state to state. Some states do not allow exclusion or limitation of damages.

**STANDARD WARRANTY:** If the products manufactured and sold hereunder are not Consumer Products, the warranty extended to Buyer shall be as set forth in subparagraphs (A), (B), and (C), **EXCEPT THAT ALL EXPRESS OR IMPLIED WARRANTIES OR MERCHANTABILITY OR SUITABILITY FOR ANY PARTICULAR PURPOSE ARE EXCLUDED.**

**ITT Jabsco**

ITT Fluid Technology Corporation  
1485 Dale Way, P.O. Box 2158, Costa Mesa, CA 92628-2158  
Tel: (714) 545-8251; Fax: (714) 957-0609  
Bingley Road, Hoddesdon, Hertfordshire EN11 0BU, England  
Tel: 0992-467191; Tlx: 263251 G; Fax: 0992-467132