

**“CENTRI PUPPY”**

**Bronze Centrifugal DC Motor/Pump Unit**  
**FEATURES**

- Body & Impeller:** Bronze
- Seal:** Lip Type, Viton\*
- Port Size:** 3/4" NPT Internal
- Motor:** Permanent Magnet, Fully Enclosed, Ignition Protected
- Shaft:** Stainless Steel
- Weight:** 5 lb. (2,3 kg) approx.

Motor meets USCG Electrical Standards (Title 33, Chapter 1, Part 183; Subpart I) for IGNITION PROTECTION on gasoline powered vessels.

**VARIATIONS AVAILABLE**

MODEL	DESCRIPTION
18510-0000	12Vdc
18510-0001	24Vdc
18510-0002	32Vdc

**CAUTION:** Do not operate with rivets removed from motor case. Explosion resulting in personal injury, death or property damage may occur. Case openings must be sealed to avoid explosion and maintain ignition protected rating.

**APPLICATION**

Suited for many general pumping applications where a flooded intake condition exists. This pump is NOT SELF-PRIMING. Typical uses include livewell filling and circulation, diesel fuel transfer (NOT GASOLINE), and other applications not requiring a self-priming pump.

**INSTALLATION**

The pump must be mounted in a dry location - the motor is not waterproof and must not be submerged. The unit can be mounted in any desired position. It is best to mount so that water dripping from loose port connection will not wet the motor. The pump head may be mounted at 90 degree increments on the motor to allow mounting as needed. The pump may be mounted vertically on a thru-hull and seacock for applications requiring overboard water to be pumped aboard. A seacock must be used between the hull inlet fitting and pump on below-waterline installations.

**PLUMBING CONNECTIONS**

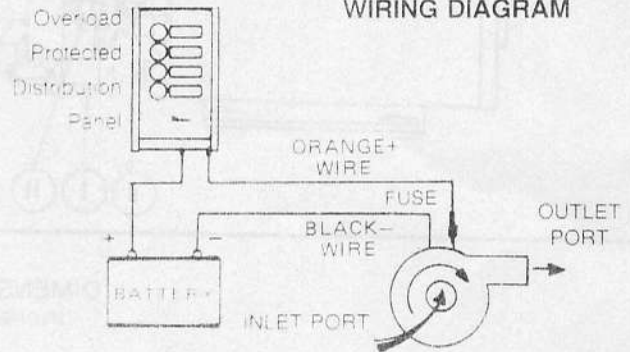
The intake and outlet ports have internal 3/4" pipe threads. Brass or plastic pipe fittings may be used to suit the installation. Plastic fittings that may be subject to cracking due to vibration should not be used below the waterline. TFE pipe joint tape or compound should be used if brass fittings are installed in pump. Hose may be used with common pipe adaptors installed in the pump ports.

**ELECTRICAL CONNECTIONS**

Connect black wire to negative (-) terminal at battery. The orange wire should be connected to the positive (+) battery terminal and be fused and switched per the wiring diagram. Wire sizes should be selected per the table.

\* Viton is a trademark of E.I. Du Pont de Nemours and Company.

**WIRING DIAGRAM**



**MINIMUM WIRE SIZES**

CONNECTION LENGTH BETWEEN BATTERY AND MOTOR	12V	24V	32V
1 - 10 ft. (3m)	#12	#16	#16
11 - 20 ft. (6m)	#10	#16	#16
21 - 30 ft. (9m)	#8	#12	#16

**AMP DRAW AND FUSE SIZES**

	12V	24V	32V
Amp. Draw (Approx.)	8	4	3
Fuse Size	10	5	5

**OPERATION**

The pump may be run dry for short periods of time. Running without liquid allows heat to build up between seal and shaft, thus shortening seal life. The pump can run against a closed outlet such as encountered when using a garden hose type shut-off nozzle. Small particles of trash and debris will pass through the pump, though an intake strainer should be fitted if excessive problems are encountered with pump clogging.

## MAINTENANCE

Check all electrical connections periodically, particularly in salt water areas. Corrosion can cause loss of performance or non-operation in extreme cases. The motor should be protected with a corrosion inhibiting spray and any rust should be removed and the motor repainted.

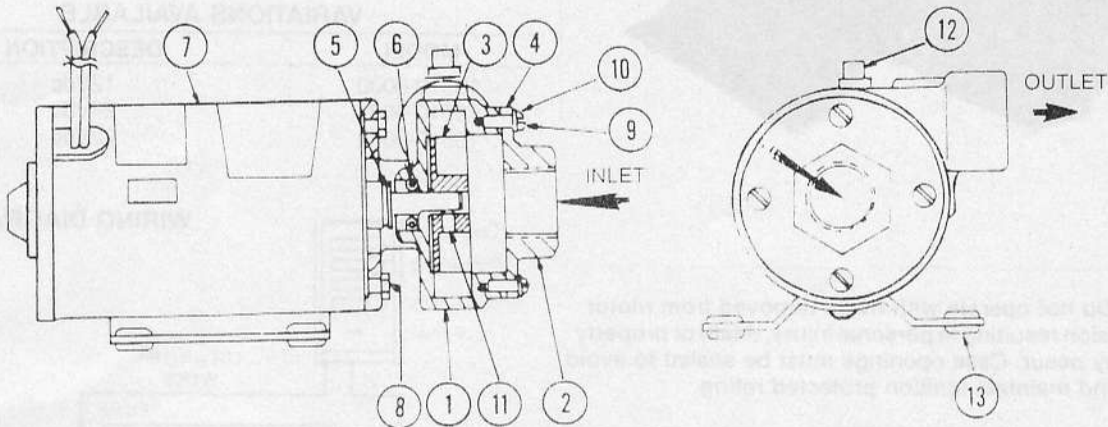
## PERFORMANCE (Nominal 12 Vdc System)

AMPS	FT. OF WATER	GPM
8	2	20
6.7	6	14.5
5.4	10	7.5
4.5	12.5	Shutoff

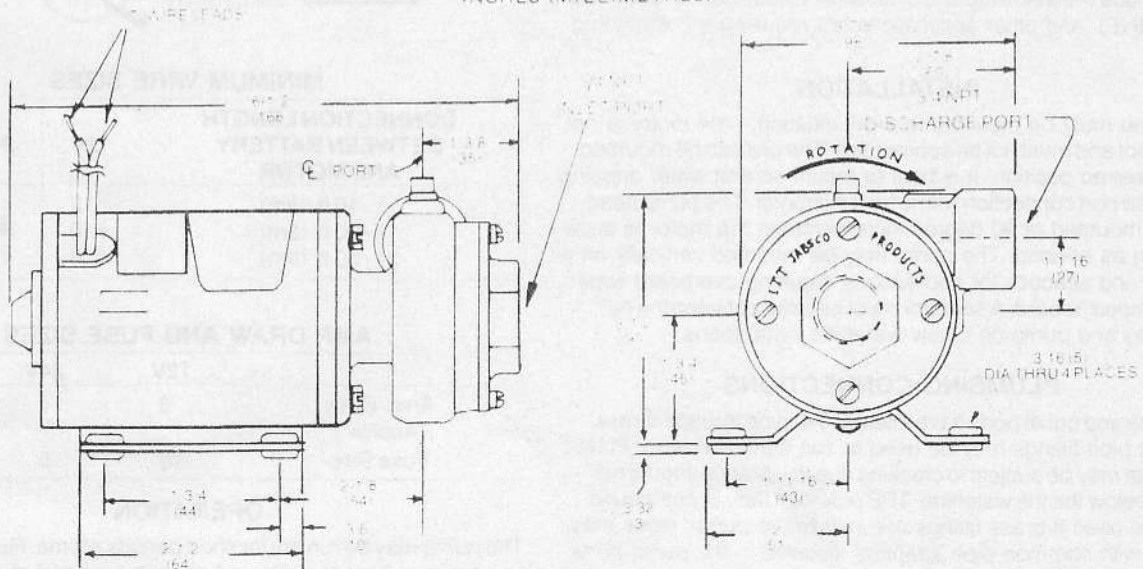
## PARTS LIST

KEY	DESCRIPTION	PART NUMBER	QTY. REQ'D
1	Pump Body	18513-0000	1
2	End Cover	18514-0000	1
3	Impeller	18515-0000	1
4	Gasket	18516-0000	1
5	Slinger	6342-0000	1
6	Seal, Viton	1040-0001	1
7*	Motor 12 Vdc	18517-0000	1
	Motor 24 Vdc	18517-0001	
	Motor 32 Vdc	18517-0002	
8	Body Mounting Screw	98019-0020	2
9	End Cover Screw	91003-0230	4
10	Lock Washer #10 S.S.	91602-0020	4
11	Impeller Set Screw	91083-0040	1
12	Plug	92650-0040	1
13	Grommet	92900-0330	4

\* Includes motor base.



## DIMENSIONAL DRAWING INCHES (MILLIMETRES)



THE PRODUCT DESCRIBED HEREIN IS SUBJECT TO THE JABSCO ONE YEAR LIMITED WARRANTY, WHICH IS AVAILABLE FOR YOUR INSPECTION UPON REQUEST.

**Jabsco**  
ITT Fluid Technology Corporation  
1485 Dale Way, P.O. Box 2158  
Costa Mesa, CA 92628-2158  
Telephone: (714) 545-8251