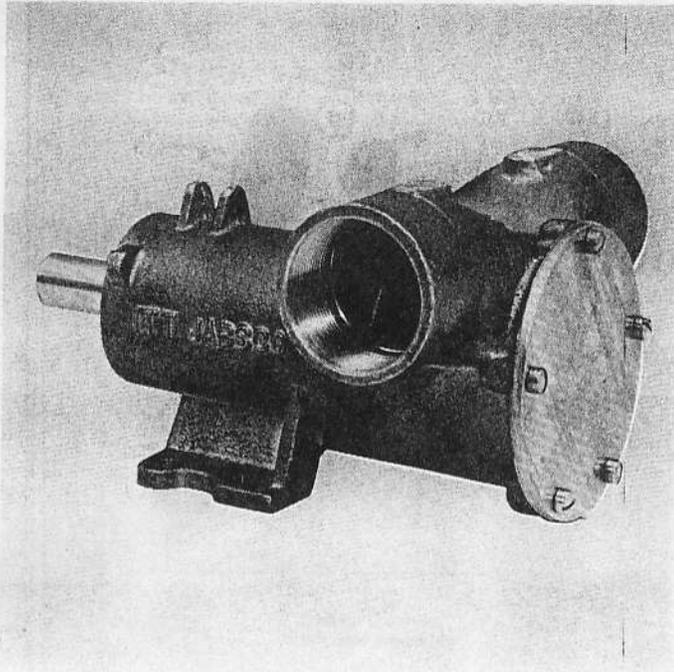


JABSCO® PUMPS

Self-Priming Pumps

MODEL 18340-0000 (1½") 18370-0000 (2")

PRODUCT DATA



DESIGN FEATURES

Body:	Bronze
Impeller:	Jabasco Neoprene Compound
Shaft:	Brass
Ports:	Model 18340 1½" IPT Model 18370 2" IPT
Seal:	Carbon-Ceramic Face Type
Bearings:	Sealed Ball Bearings
Shipping Weight:	18340 - 18 Lbs. (8.2 Kg) 18370 - 19 Lbs. (8.6 Kg)

MODEL 18340-0000 (1½")
18370-0000 (2")

APPLICATIONS

MARINE: Engine cooling, Pumping bilges, Washdowns, Circulating water in bait tanks, Utility dock side pump.

INDUSTRIAL: Circulating and transferring, Velocity-mixing, Return spill, Sump drainage, Chemicals, Pharmaceuticals, Soap, Liquors, Ink, Dyes, Alcohol, Tanning Liquors, Glycerine, Brine, etc.

FARMING: Pumping water for stock, Pumping water from shallow wells and cisterns.

OPERATION

Pump will self-prime at low or high speeds. Make sure that all connections are airtight. **DO NOT RUN PUMP DRY FOR MORE THAN 30 SECONDS. LACK OF WATER FLOW MAY DAMAGE IMPELLER.** To drain pump, loosen end cover screws. See Head Capacity Table for head pressures and flow. To avoid costly shutdowns, keep a Jabasco Service Kit on hand.

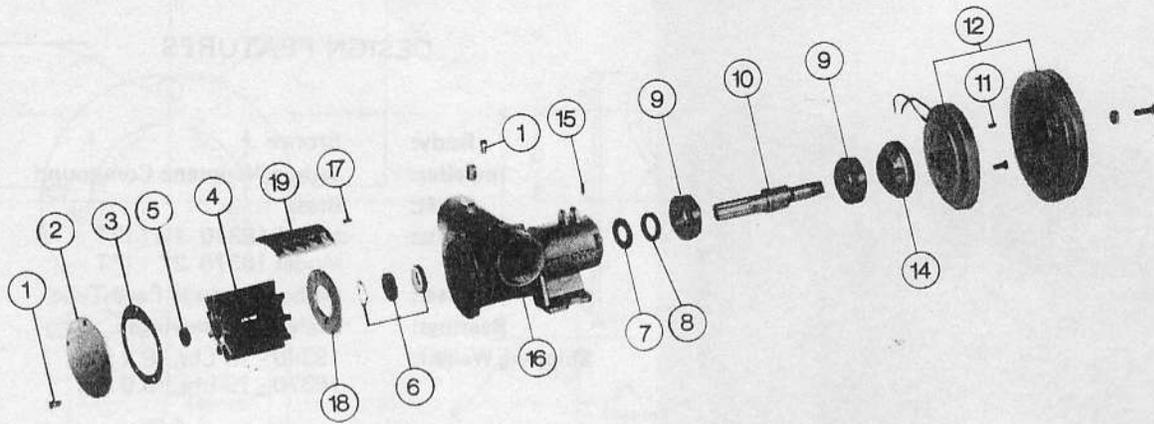
INSTALLATION

Pump may be mounted in any position. Intake and discharge ports are determined by the direction of shaft rotation (refer to dimensional drawing). Before installing, turn pump shaft in the direction of shaft rotation.

NOTE: MODEL 18370-0000 IS INTERCHANGEABLE WITH EARLIER PUMP MODEL 10490-0001: BASE MOUNTING DIMENSIONS, HEIGHT ABOVE BASE TO SHAFT, AND HEIGHT ABOVE BASE TO PORT CENTERLINE ARE THE SAME.

JABSCO PRODUCTS **ITT**

EXPLODED VIEW



PARTS LIST

Key	Description	Part Number	Qty.
1	Screw, End Cover and Cam	91005-0040	6
2	End Cover		1
	Model 18340-0000	18294-0001	
	Model 18370-0000	18294-0000	
3	*Gasket	816-0000	1
4	*Impeller	6760-0001	1
5	*Spline Plug	4346-0000	1
6	*Seal Assembly (Shaft)	6408-0000	1
7	Slinger	3181-0000	1
8	Inner Bearing Seal	92701-0180	1
9	Ball Bearing Seal	92600-0260	2

Key	Description	Part Number	Qty.
10	Shaft	10487-0010	1
11	Drive Key	91402-0120	1
12	Outer Bearing Seal	92700-0490	1
13	Retaining Ring	92701-2440	1
14	Body		1
	Model 18340-0000 (1½" IPT)	18313-0004	
	Model 18370-0000 (2" IPT)	18313-0001	
15	Dowel Pin	2572-0000	1
16	Wearplate	2574-0000	1
17	Cam	6988-0000	1
	Service Kit	90254-0001	

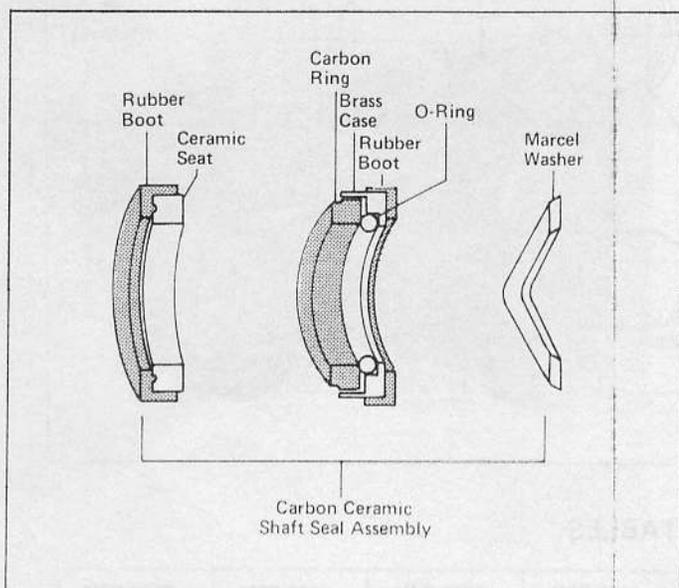
*Parts contained in Service Kit

- NOTE:**
1. ALL REPLACEMENT PARTS SHOWN ARE INTERCHANGEABLE WITH EARLIER PUMP MODEL 10490-0001.
 2. MODELS 18340-0000 and 18370-0000 HAVE A ONE-PIECE BODY AND BEARING HOUSING DESIGN, WHICH REPLACES THE TWO-PIECE DESIGN OF MODEL 10490-0001.

SERVICE INSTRUCTIONS

IMPELLER REPLACEMENT: Remove end cover and gasket. Pull impeller out by grasping hub or blades with pliers. Replace impeller, gasket and end cover. A light coating of grease in impeller bore will aid priming on dry startup. (Use correct Jabsco gasket; a thicker or thinner gasket may cause impeller damage.) Standard gasket is .015" thickness.

SHAFT SEAL REPLACEMENT: Remove end cover, gasket, and impeller as outlined above. Loosen cam screw and remove cam (Key 17) (clean off permatex). Remove wearplate (Key 16) with screwdriver or hooked wire.



Remove marcel washer, carbon ring assembly, and seal seat with a hooked wire. Use care not to scratch shaft or seal seat bore. Inspect shaft and seal seat bore to be sure sealing surfaces are free of wear tracks, nicks or scratches. Clean shaft surface behind splines to insure proper O-ring seal on shaft.

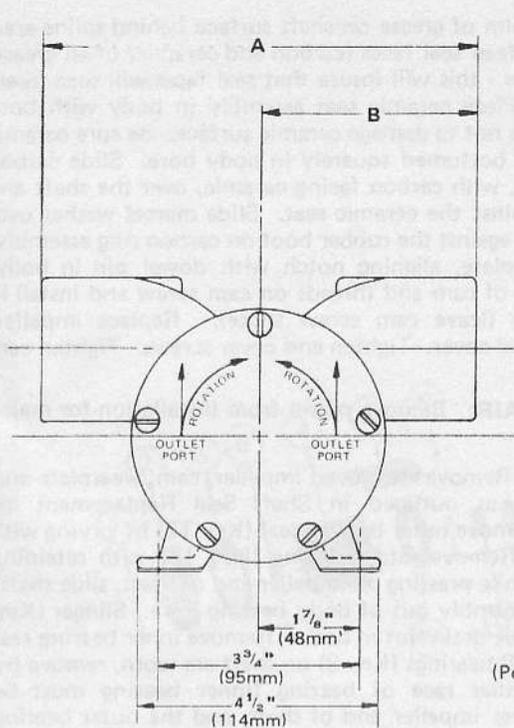
Apply light film of grease on shaft surface behind spline area. Thoroughly clean seal faces (carbon and ceramic) of all grease, oil or particles - this will insure that seal faces will turn freely on startup. Place ceramic seat assembly in body with boot first. Use care not to damage ceramic surface. Be sure ceramic and boot are bottomed squarely in body bore. Slide carbon ring assembly, with carbon facing ceramic, over the shaft and firmly up against the ceramic seat. Slide marcel washer over the shaft and against the rubber boot on carbon ring assembly. Replace wearplate, aligning notch with dowel pin in body. Permatex top of cam and threads on cam screw and install in impeller bore (leave cam screw loose). Replace impeller, gasket, and end cover. Tighten end cover screws. Tighten cam screw.

MAJOR REPAIR: Remove pump from installation for major repair.

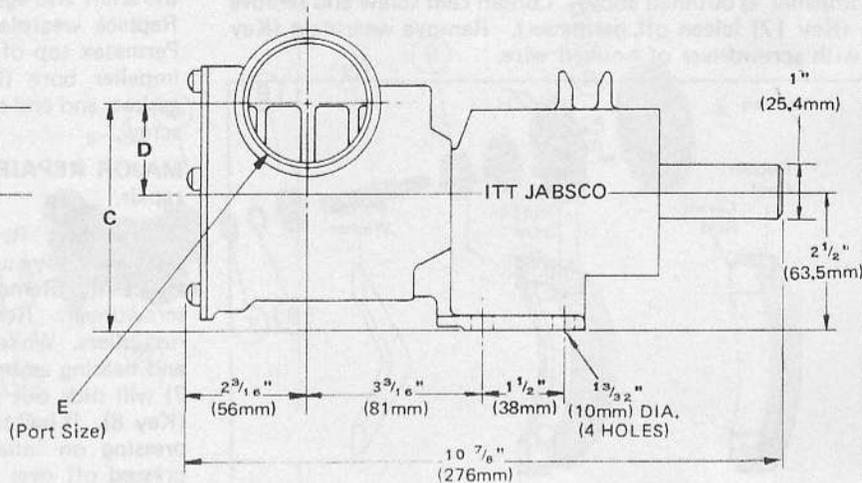
Disassembly: Remove end cover, impeller, cam, wearplate and seal assembly as outlined in Shaft Seal Replacement instructions. Remove outer bearing seal (Key 12) by prying with screwdriver. Remove retaining ring (Key 13) with retaining ring pliers. While pressing on impeller end of shaft, slide shaft, and bearing assembly out of body bearing bore. Slinger (Key 7) will slide out drain slot in body. Remove inner bearing seal (Key 8). If ball bearings (Key 9) on shaft are worn, remove by pressing on inner race of bearing (inner bearing must be pressed off over impeller end of shaft, and the outer bearing over drive end of shaft). Replace all worn or broken parts.

Assembly: While supporting inner race of bearings, press new ball bearings onto a clean well-oiled shaft. Wipe excess oil from impeller end of shaft. Press new bearing seal (Key 8) into seal bore. Slide slinger (Key 7) through drain slot in body and into place so shaft can go through. Support the outer race of bearing while pressing shaft and bearing assembly (splined end first) into body bearing bore. Install retaining ring (Key 13). Press new outer bearing seal (Key 12) into place. Install shaft seal, wearplate, cam, gasket and end cover as outlined in Shaft Seal Replacement instructions.

DIMENSIONAL DRAWING



Dimension	Model 18340-0000	Model 18370-0000
A	7" (178mm)	8" (203mm)
B	3 1/2" (89mm)	4" (102mm)
C	3 3/16" (97mm)	4 1/8" (105mm)
D	1 5/16" (33mm)	1 5/8" (41mm)
E	1 1/2" IPT	2" IPT



HEAD CAPACITY TABLES

MODEL 18370-0000 2" PORTS

TOTAL HEAD				500 RPM			870 RPM			1160 RPM			1450 RPM			1750 RPM			2100 RPM			2450 RPM		
Lbs Per Sq Inch	Kg Per Sq cm	Feet of Water	Meters of Water	GPM	L/min	HP	GPM	L/min	HP	GPM	L/min	HP	GPM	L/min	HP	GPM	L/min	HP	GPM	L/min	HP	GPM	L/min	HP
4.3	.3	10	3.0	23	87	1/2	40	151	1	54	204	1	70	265	1 1/2	83	314	2	95	360	3	108	409	3
8.7	.6	20	6.1	22	83	1/2	37	140	1	50	189	1	66	250	1 1/2	79	299	2	91	344	3	104	394	3
17.3	1.2	40	12.2	17	64	1/2	30	114	1	43	163	1 1/2	58	220	1 1/2	71	269	3	82	310	3	93	352	5
26.0	1.8	60	18.3	-	-	-	22	83	1 1/2	34	129	1 1/2	48	182	2	61	231	3	70	265	5	81	307	5
30.3	2.1	70	21.3	-	-	-	-	-	-	-	-	-	41	155	2	55	208	3	62	235	5	73	276	5

MODEL 18340-0000 1 1/2" PORTS

TOTAL HEAD				500 RPM			870 RPM			1160 RPM			1450 RPM			1750 RPM			2100 RPM		
Lbs Per Sq Inch	Kg Per Sq cm	Feet of Water	Meters of Water	GPM	L/min	HP	GPM	L/min	HP	GPM	L/min	HP	GPM	L/min	HP	GPM	L/min	HP	GPM	L/min	HP
4.3	.3	10	3.0	23	87	1/2	40	151	1	54	204	1	70	265	1 1/2	83	314	2	95	360	3
8.7	.6	20	6.1	22	83	1/2	37	140	1	50	189	1	66	250	1 1/2	79	299	2	91	344	3
17.3	1.2	40	12.2	17	64	1/2	30	114	1	43	163	1 1/2	58	220	1 1/2	71	269	3	82	310	3
26.0	1.8	60	18.3	-	-	-	22	83	1 1/2	34	129	1 1/2	48	182	2	61	231	3	70	265	5
30.3	2.1	70	21.3	-	-	-	-	-	-	-	-	-	41	155	2	55	208	3	62	235	5

JABSCO PRODUCTS **ITT**

Marine and Recreation Components Division
International Telephone and Telegraph Corporation
1485 Dale Way, Costa Mesa, California 92626

Telephone: (714) 545-8251