

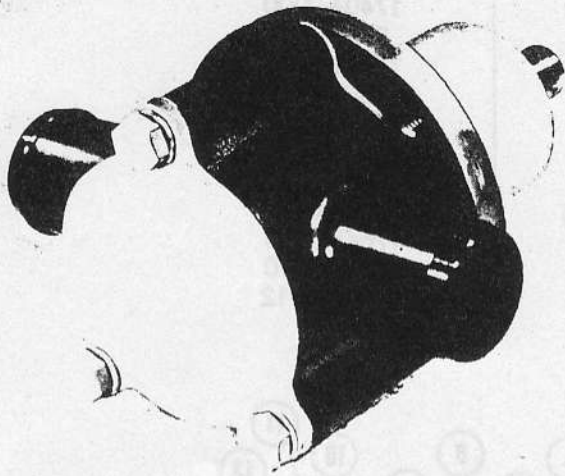
JABSCO® PUMPS

MODEL 17410 SERIES MARINE ENGINE COOLING PUMP

Replaced by 18830-1020

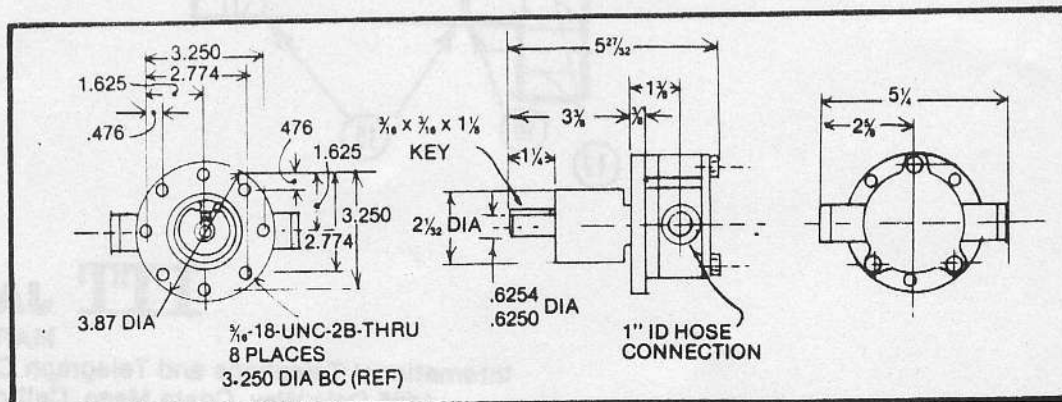
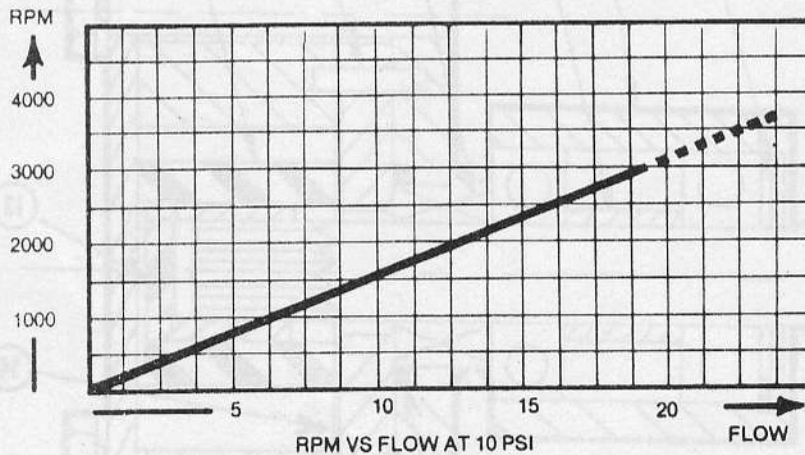
PRODUCT DATA

DESIGN FEATURES



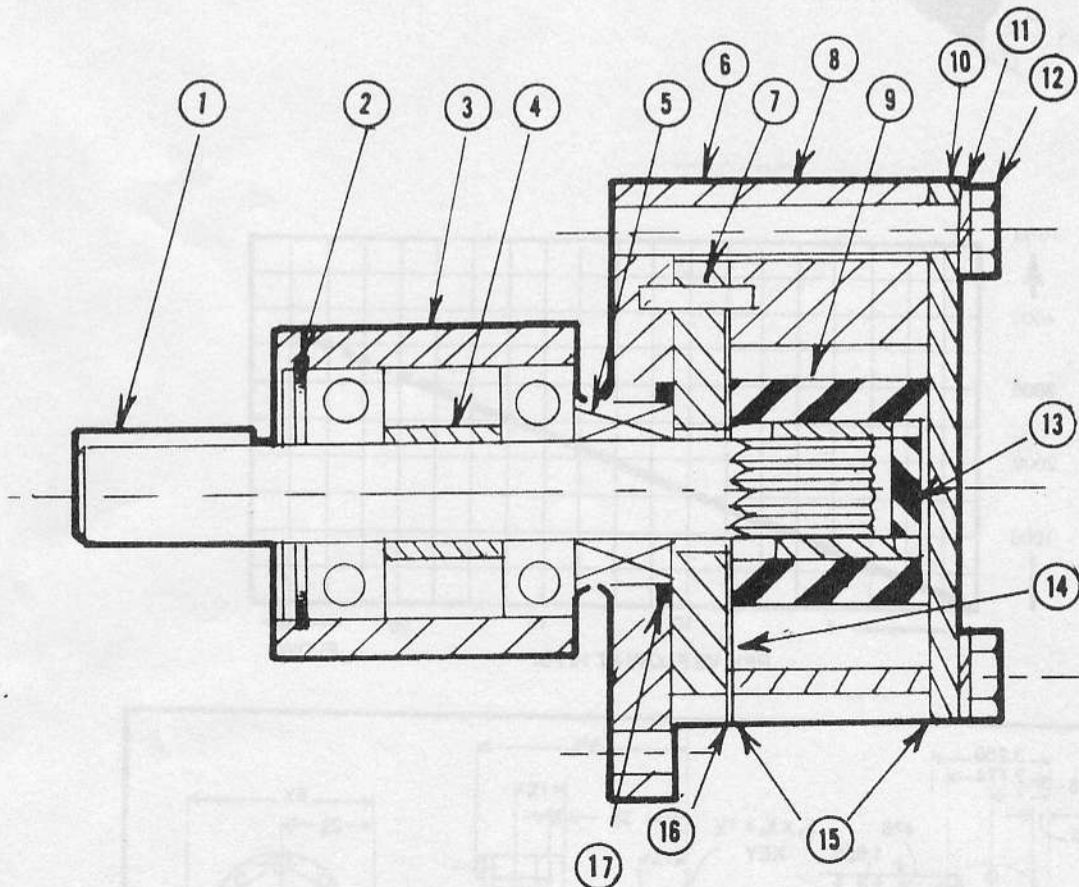
- BODY: PLASTIC
- BEARING HOUSING: ALUMINUM
- SHAFT: STAINLESS STEEL
- SEAL: CARBON FACE, ROTARY TYPE
- BEARINGS: TWO SINGLE ROW BALL BEARINGS
- PORTS: FOR 1" I.D. HOSE
- APPROX. WEIGHT: 3 LB.

MODEL 17410-SERIES



PARTS LIST

NUMBER	PART DESCRIPTION	MODEL 17410-0001
1	Key (Shaft)	9215-0000
2	Retaining Ring	91700-2840
3	Bearing Housing	17103-0000
4	Shaft and Bearing Assembly	17388-0010
5	*Seal	96080-0080
6	Spacer (Plastic)	17406-0000
7	Dowel Pin	91112-0150
8	Body	17404-0000
9	*Impeller	3085-0001
10	End Cover	17232-0000
11	Lock Washer (3 Required)	91602-0130
12	Bolt (hex head) (3 Required)	91095-0540
13	*Spline Seal	4345-0000
14	*Wearplate (Stainless Steel)	17847-0000
15	*Gasket (end cover & body) (2 Required)	17408-0000
16	*Gasket (wearplate)	17848-0000
17	*'O' Ring	92000-1010
	Service Kit (Includes items marked *)	90187-0012



ITT JABSCO

MARC Division

International Telephone and Telegraph Corporation

1485 Dale Way, Costa Mesa, California 92626

Telephone: (714) 545-8251