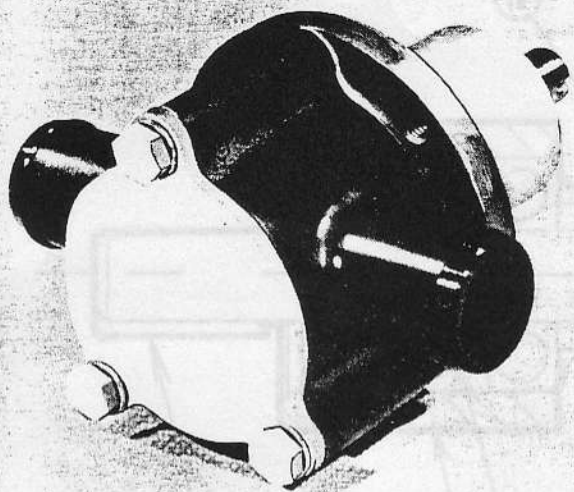


JABSCO® PUMPS

MODEL 17100-SERIES MARINE ENGINE COOLING PUMP

PRODUCT DATA

DESIGN FEATURES



BODY:	PLASTIC
BEARING HOUSING:	ALUMINUM
SHAFT:	STAINLESS STEEL
SEAL:	CARBON FACE, ROTARY TYPE
BEARINGS:	TWO SINGLE ROW BALL BEARINGS
PORTS:	FOR 1 1/4" I.D. HOSE
WEIGHT:	APPROX. 3 LBS.

MODEL 17100-SERIES

RPM

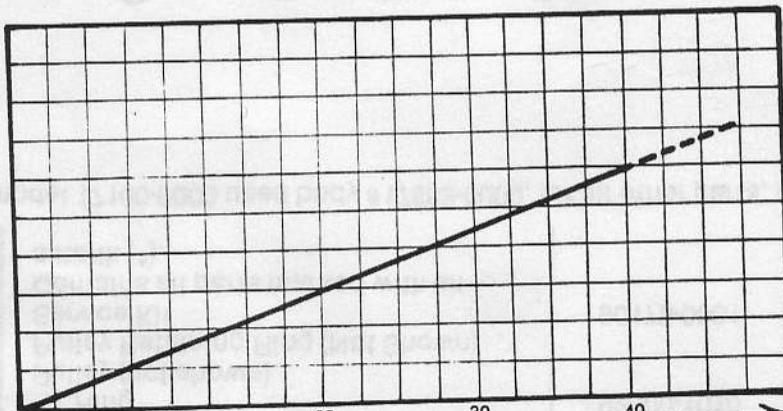
↑

4000

3000

2000

1000



RPM VS FLOW AT 10 PSI

FLOW

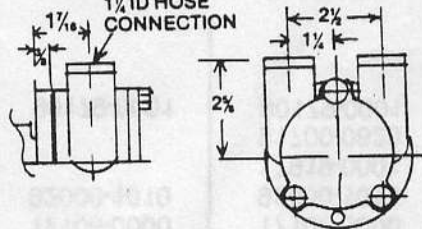
ROTATION

DISCHARGE

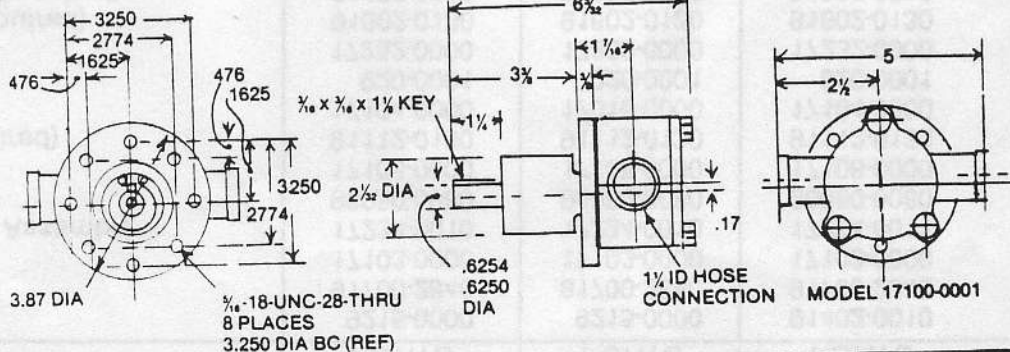
DISCHARGE

ROTATION

1 1/4" I.D. HOSE
CONNECTION



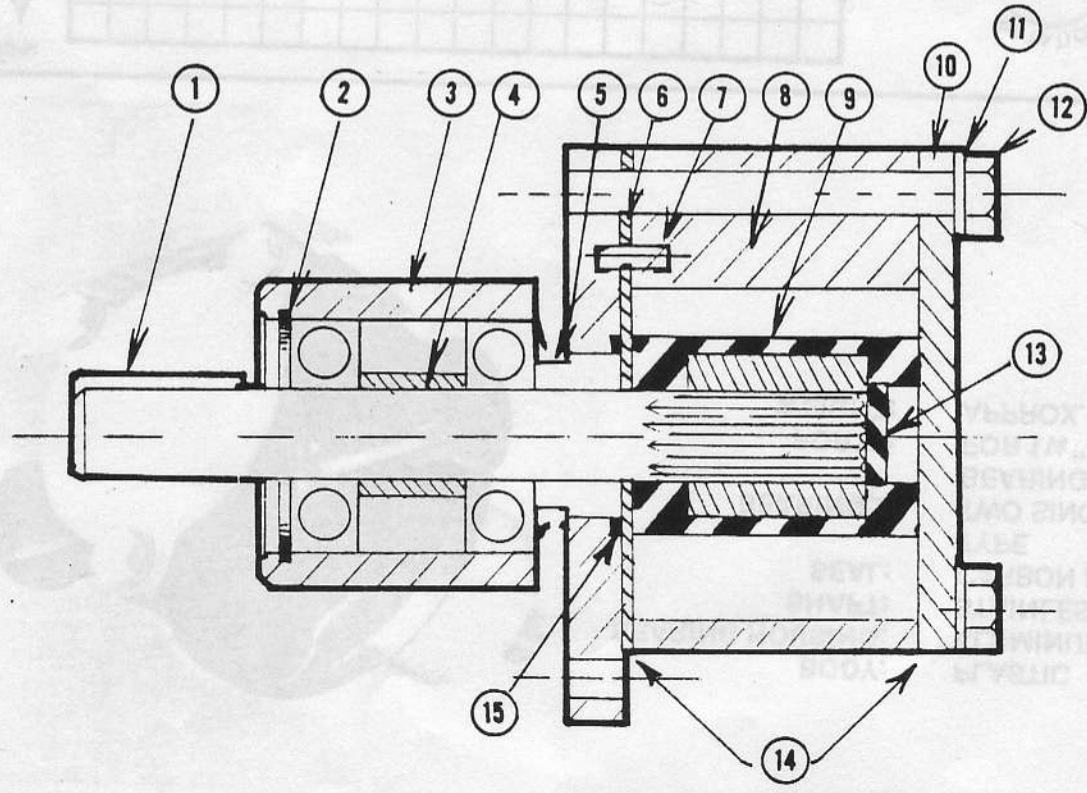
MODEL 17100-0011



DIMENSIONAL DRAWING

NUMBER	PART DESCRIPTION	MODEL	MODEL	MODEL
		17100-0001 HORIZONTAL PORTS	17100-0011 VERTICAL PORTS	17100-0005 HORIZONTAL PORTS
1	Key (Shaft)	9215-0000	9215-0000	91402-0010
2	Retaining Ring	91700-2840	91700-2840	91700-2840
3	Bearing Housing	17103-0000	17103-0000	17103-0000
4	Shaft and Bearing Assembly	17234-0010	17234-0010	17234-0011
5	*Seal	96080-0080	96080-0080	96080-0080
6	*Wearplate	17108-0000	17108-0000	17108-0000
7	Dowel Pin (2 Required)	91112-0130	91112-0130	91112-0130
*8	Body	17104-0000	17016-0000	17104-0000
9	*Impeller	920-0001	920-0001	920-0001
10	End Cover	17232-0000	17232-0000	17232-0000
11	Lockwasher (3 Required)	91602-0130	91602-0130	91602-0130
12	Bolt (hex head) (3 Required)	91095-0510	91095-0510	91095-0510
13	*Spline Seal	4345-0000	4345-0000	4345-0000
14	*Gasket (end cover & body) (2 Required)	17106-0000	17106-0000	17106-0000
15	**O' Ring	92000-1010	92000-1010	92000-1010
	Pulley (not shown)			17919-0001
	Pulley Retaining Ring (Not Shown)			91700-0620
	Service Kit	90179-0001	90179-0001	90179-0001
	Contains all parts marked with an asterik (*).			

NOTE: Pump model 17100-0003 used body #17668-0000, for all other parts, use listing for model 17100-0001.



JABSCO PRODUCTS **ITT**
 Marine and Recreation Components Division
 International Telephone and Telegraph Corporation
 1485 Dale Way, Costa Mesa, California
 Telephone (714) 541-5400

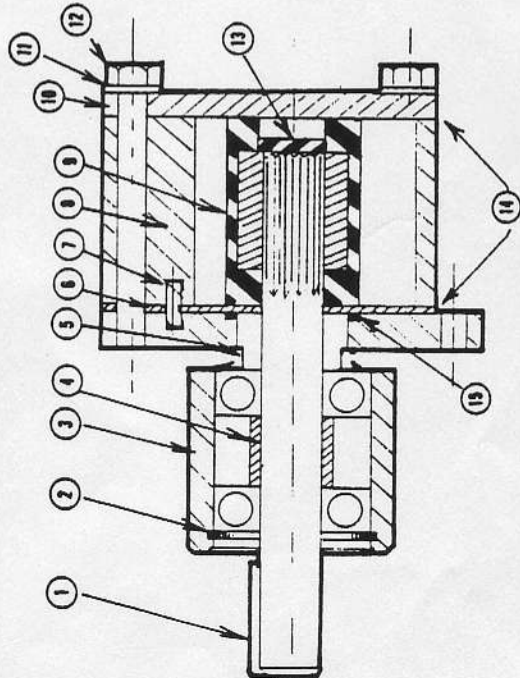
17100-SERIES

PARTS LIST

NUMBER	PART DESCRIPTION	MODEL 17100-0001 HORIZONTAL PORTS	MODEL 17100-0011 VERTICAL PORTS	MODEL 17100-0005 HORIZONTAL PORTS
1	Key (Shaft)	9215-0000	9215-0000	91402-0010
2	Retaining Ring	91700-2840	91700-2840	91700-2840
3	Bearing Housing	17103-0000	17103-0000	17103-0000
4	Shaft and Bearing Assembly	17234-0010	17234-0010	17234-0011
5	*Seal	96080-0080	96080-0080	96080-0080
6	*Wearplate	17108-0000	17108-0000	17108-0000
7	Dowel Pin (2 Required)	91112-0130	91112-0130	91112-0130
8	Body	17104-0000	17104-0000	17104-0000
9	*Impeller	920-0001	920-0001	920-0001
10	End Cover	17232-0000	17232-0000	17232-0000
11	Lockwasher (3 Required)	91602-0130	91602-0130	91602-0130
12	Bolt (hex head) (3 Required)	91095-0510	91095-0510	91095-0510
13	*Spine Seal	4345-0000	4345-0000	4345-0000
14	*Gasket (end cover & body) (2 Required)	17106-0000	17106-0000	17106-0000
15	*O' Ring	92000-1010	92000-1010	92000-1010
	Pulley (not shown)			17919-0001
	Pulley Retaining Ring (Not Shown)			91700-0620
	Service Kit	90179-0001	90179-0001	90179-0001
	Contains all parts marked with an asterisk (*).			

NOTE: Pump model 17100-0003 used body #17668-0000, for all other parts, use listing for model 17100-0001.

BEARING ONLY 92600-0110



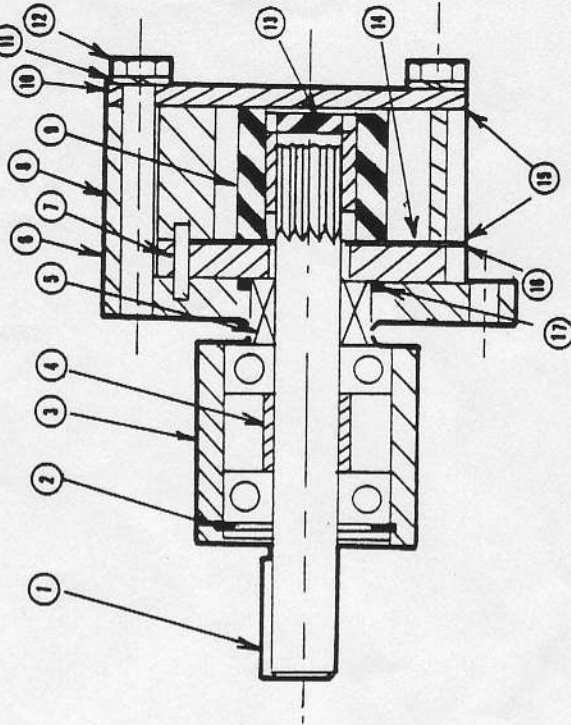
17100-0001 (New 18930-0020)
 17100-0011 (New SH G55-2
 W/11877 SHAFT)
 17100-0005 (New 18930-0020
 use old pulley)

17410-0001

PARTS LIST

NUMBER	PART DESCRIPTION	MODEL 17410-0001
1	Key (Shaft)	9215-0000
2	Retaining Ring	91700-2840
3	Bearing Housing	17103-0000
4	Shaft and Bearing Assembly	17388-0010
5	*Seal	96080-0080
6	Spacer (Plastic)	17408-0000
7	Dowel Pin	91112-0150
8	Body	17404-0000
9	*Impeller	3085-0001
10	End Cover	17232-0000
11	Lock Washer (3 Required)	91602-0130
12	Bolt (hex head) (3 Required)	91095-0540
13	*Wearplate (Stainless Steel)	4345-0000
14	*Gasket (end cover & body) (2 Required)	17847-0000
15	*Gasket (wearplate)	17408-0000
16	*O' Ring	18738-0000
17	Service Kit (Includes Items marked *)	90187-0012

BEARING ONLY 92600-0110



17410-0001 (New 18830-1020)