

# JABSCO® PUMPS

Self-Priming Pumps

SECTION 1100— WATER

8/69

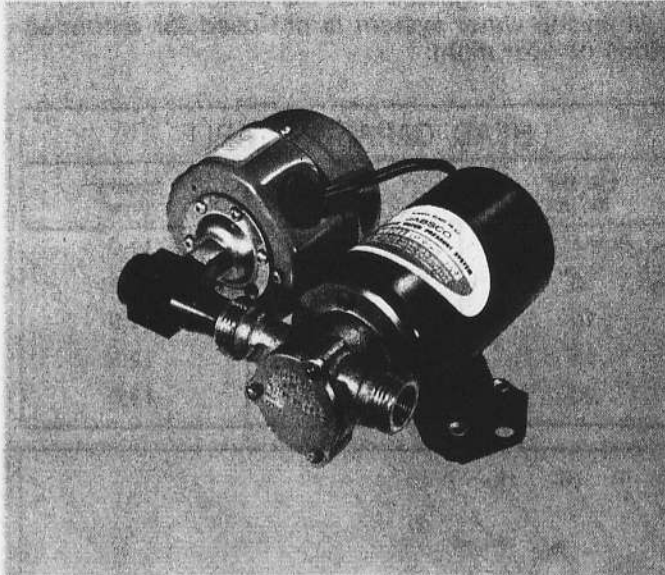
PAGE 20

MODEL: 15960

12V D.C.

Product Data

MODEL 15960 (12 Volt D.C.)



## DESIGN FEATURES

- Pump: **Bronze**
- Impeller: **JABSCO Nitrile Compound**
- Seal: **Lip Type**
- Ports: **3/8" Pipe Thread Internal**
- Motor: **Enclosed 1/12 H.P. with Stainless Steel Shaft**
- Check Valve: **Positive Action Molded Plastic**
- Control: **Top Quality Diaphragm Type Pressure Switch**
- Weight: **8 pounds (Approx.)**
- Switch Panel: **Includes ON-OFF Switch, Indicator Light and Fuse**

## APPLICATION INFORMATION

The model 15960 is designed for automatic operation of up to 5 fixtures. For best operation an accumulator tank of about one quart capacity is suggested. If an instantaneous type water heater is used an accumulator tank must be installed or the warranty is void.

## INSTALLATION AND OPERATING INSTRUCTIONS

### 1. Locating Pump

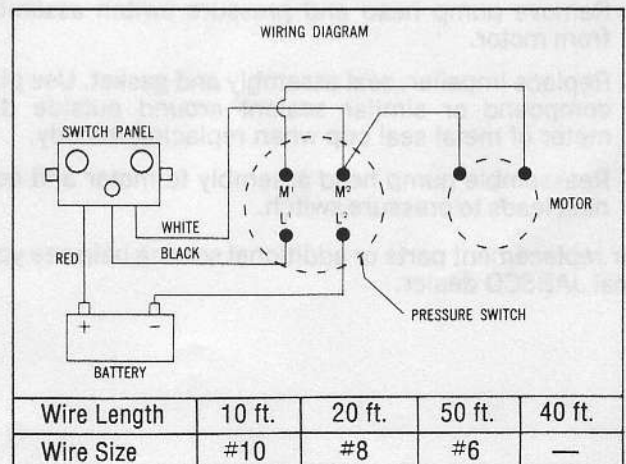
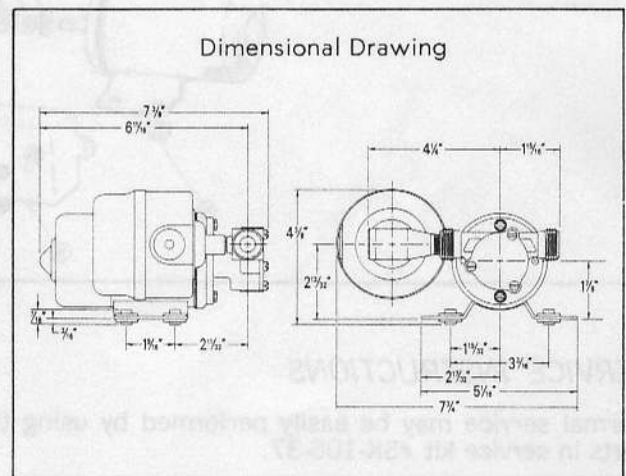
The model 15960 JABSCO water pressure system is self priming, may be installed at any point between tank and faucet. Will not lose its prime or air lock. Mounting grommets and screws have been included for your convenience. Do not overtighten mounting screws.

### 2. Plumbing Connections

Use only plastic internal port fittings or standard garden hose connections. Minimum 1/2" tube size for inlet and outlet. Be sure all connections are airtight and your tank is vented. If copper tubing is used a short section of reinforced rubber hose on inlet and outlet is recommended to reduce noise and vibration transmitted through the plumbing system.

### 3. Wiring Hookup

Use stranded #12 wire. Do not use lamp cord or other substitutes. See wiring diagram at right for proper wiring connections. Locate the switch panel in a convenient readily visible location, the counter top or wall panel near the main outlet is preferable. Be sure main switch is in off position when making connections.



**ITT JABSCO PRODUCTS**

To operate your JABSCO automatic water pressure system, be sure the water tank is full, properly vented, all plumbing connections are air tight and correct wiring connections have been made.

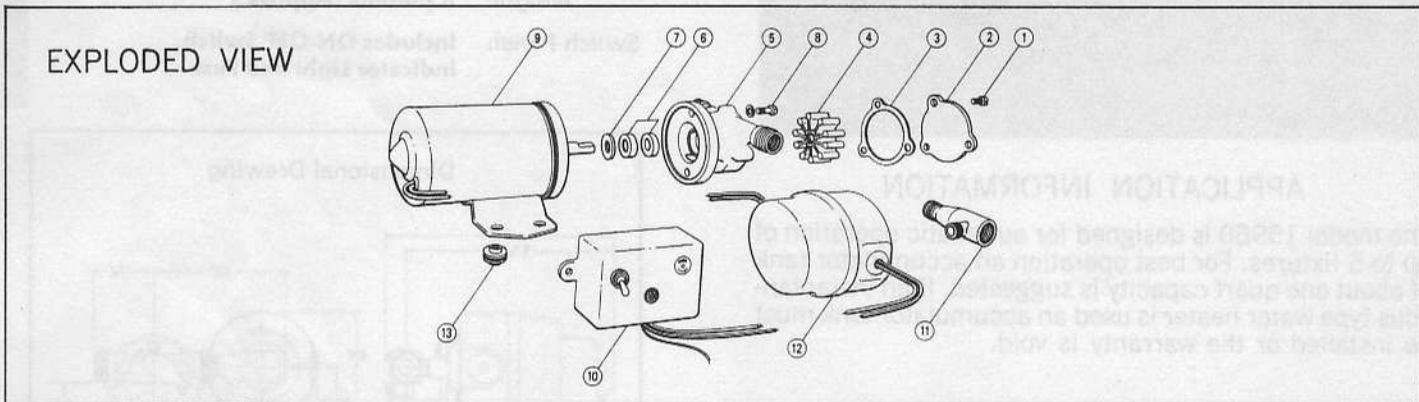
1. Open the faucet farthest from the tank and let water run for a few seconds. The indicator light should be on when the pump is running. Close the faucet. The pump should shut off almost immediately, the indicator light should go out and both should remain off until a faucet is opened.
2. If indicator light shows the pump is running with all faucets closed turn switch off immediately and check the following:
  1. Water tank may be empty. Fill the tank.
  2. Battery may be low or discharged. Recharge battery.
  3. Impeller may be fatigued. Replace the impeller.
3. If the pump cycles on and off with all faucets closed, check the following:
  1. Leaking faucet or plumbing system. Correct the leak.
  2. Leak back thru the check valve. Clean the check valve seat.

— IMPORTANT —

The pressure switch control is preset and tested at the factory. Operating pressures are 8 PSI on 20 PSI off. Do not tamper with switch adjustment, this will void the warranty.

The JABSCO pump switch panel has been developed to provide added operating convenience and built-in overload fuse protection. Use only the correct fuse size marked on the panel to protect the pump from overload. It is suggested that the switch be turned off when the water system is not used for extended periods or over night.

HEAD CAPACITY TABLE		
Lbs. Per Sq. In.	GPM	Ampere Draw
Free Flow	3.8	11.0
5	3.6	11.3
10	3.3	11.8
15	3.0	12.5
20	2.6	13.0



PARTS LIST

SERVICE INSTRUCTIONS

Normal service may be easily performed by using the parts in service kit #SK-106-37.

- Disconnect motor leads from pressure switch.
- Remove pump head and pressure switch assembly from motor.
- Replace impeller, seal assembly and gasket. Use pipe compound or similar sealant around outside diameter of metal seal cup when replacing in body.
- Reassemble pump head assembly to motor and connect leads to pressure switch.

For replacement parts or additional service help see your local JABSCO dealer.

Key	Part No.	Description	Qty. Req.
1	SP1002-09	Screw	3
2	15965	End Cover	1
3	9156	Gasket	1
4	9200-37	Impeller	1
5	9154	Body	1
6	SP2700-91	Seal Assembly	1
7	6342	Slinger	1
8	SP8019-02	Screw	2
9	SP3004-86	Motor	1
10	14963-01	Switch Panel	1
11	SP8024-01	Check Valve	1
12	SP6070-12	Pressure Switch	1
13	SP2900-09	Grommet	4
14	SK-106-37	Service Kit (not shown)	—
15	SP-8022-72	Wire Switch	—

Variations Available

Other voltages available on request.  
15960-01 Automatic Water Pressure System less Switch Panel.

# ITT JABSCO PRODUCTS

A Unit of International Telephone and Telegraph Corporation, 1485 Dale Way, Costa Mesa, California 92626