

## MODEL: 15120 — 0009 12V D.C. Product Data

MODEL: 15120-0009 (12 VOLT D.C.)



### DESIGN FEATURES

- Motor Housing: **Stainless Steel**
- Pump Body: **Delrin Plastic**
- Impeller: **Delrin Plastic**
- Seal: **Carbon Ceramic Face Type**
- Port Connection: **1 1/4" Slip-on hose, 3/4" Internal Pipe Thread**
- Motor: **12 Volt D.C., stainless steel shaft**
- Weight: **3 pounds**
- Dimensions: **5 5/8" High x 4 1/2" Base Diameter**

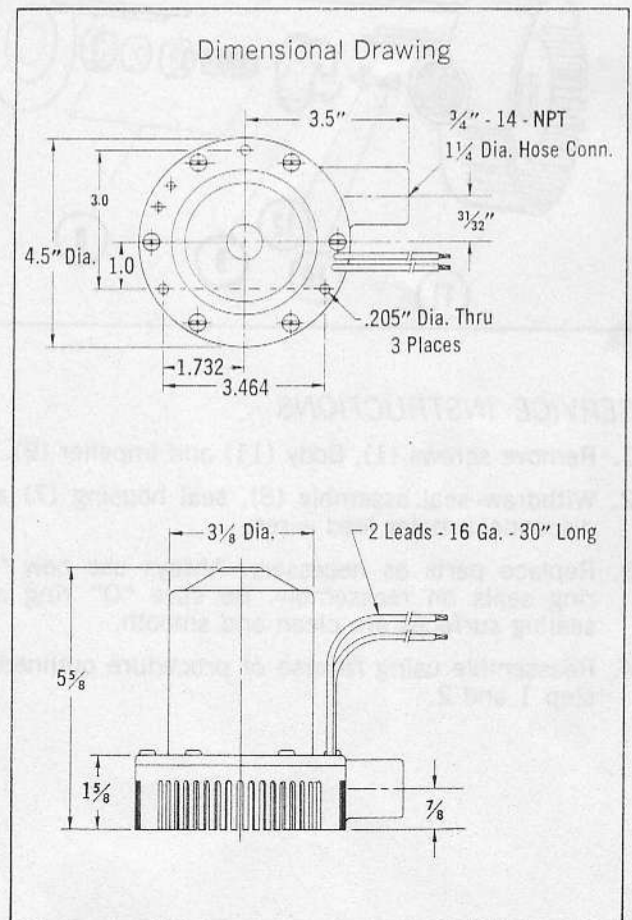
### APPLICATION INFORMATION

Submersible Bilge Pump for Manual or Automatic Operation.

### INSTALLATION AND OPERATING INSTRUCTIONS

1. Install pump at lowest point in the bilge. Mount with base in horizontal plane to assure pump-out down to minimum level.
2. For automatic installation be sure to mount base of switch at same level as bottom of pump base.
3. 3/4" I.D. hose and 3/4" min. I.D. through hull fitting are recommended. Smaller connections can be used but flow will be reduced.
4. Locate through hull discharge fitting well above water line.
5. Use #12 multi strand hookup wire.\* See diagram for typical installation connections.
6. Make wiring connections well above high bilge level. Use 7.5 Amp fuse for overload protection.

\*If hookup wire length is over 24', use #10 wire



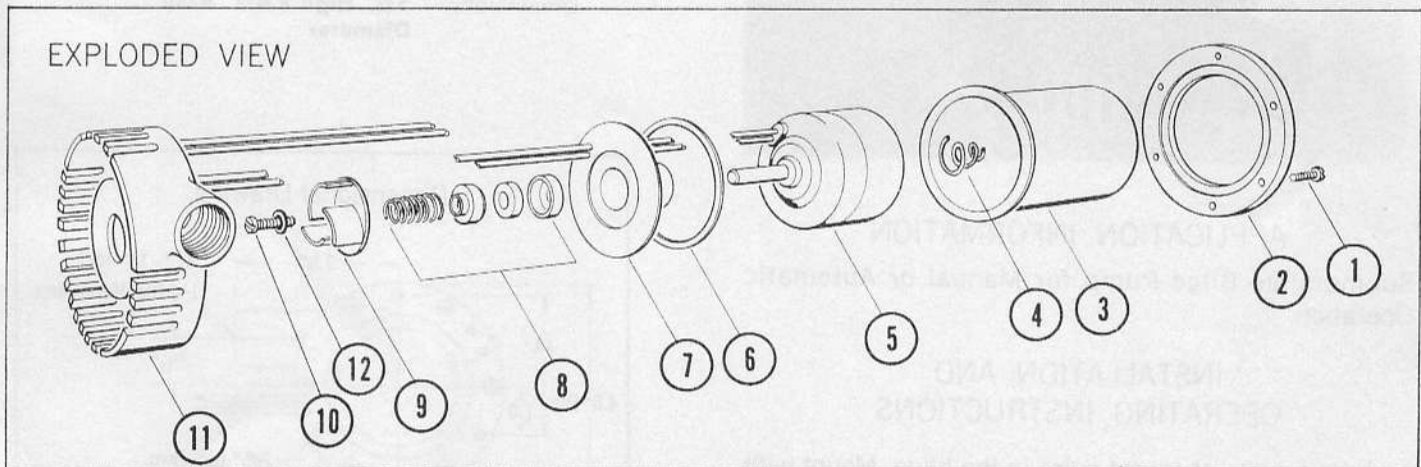
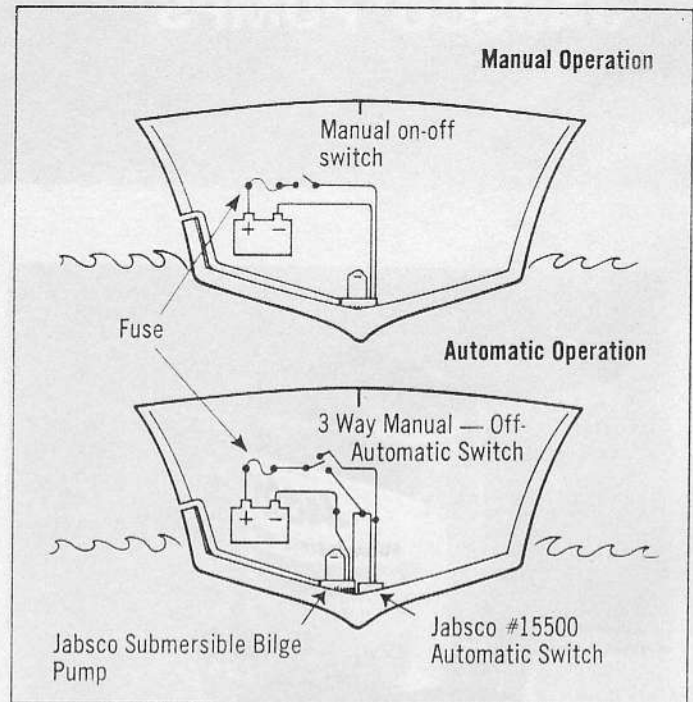
For automatic operation use Jabsco bilge pump switch No. 15500. For additional information request F. 4028.

### VARIATIONS AVAILABLE

Model No.	Voltage
17150-0009	6 volt D.C.
17170-0009	24 volt D.C.
17180-0009	32 volt D.C.

### CAPACITY

18 Gallons Per Minute (1080 Gallons Per Hour) at 3 ft. Head, Amp draw 5.5 Amps.



### PARTS LIST

#### SERVICE INSTRUCTIONS

1. Remove screws (1), Body (11) and Impeller (9).
2. Withdraw seal assembly (8), seal housing (7) and disconnect motor lead wires.
3. Replace parts as necessary. Always use new "O" ring seals on reassembly. Be sure "O" ring and sealing surfaces are clean and smooth.
4. Reassemble using reverse of procedure outlined in step 1 and 2.

Key	Description	Part No.	Qty.
1	Screw	93950-0030	6
2	Ring	17166-0000	1
3	Motor Housing	17167-0000	1
4	Spring	17154-0000	1
5	Motor		
	6 volt D.C.	93004-1720	
	12 volt D.C.	93004-1700	
	24 volt D.C.	93004-1730	
	32 volt D.C.	93004-1740	
6	"O" Ring	92000-0980	1
7	Seal Housing	17168-0000	1
8	Seal	96080-0300	1
9	Impeller	17165-0000	1
10	Screw	91001-0020	1
11	Body	17164-0000	1
12	Washer	91613-0120	1

# JABSCO PRODUCTS **ITT**

Fluid Handling Division, International Telephone and Telegraph Corporation, 1485 Dale Way, Costa Mesa, California 92626