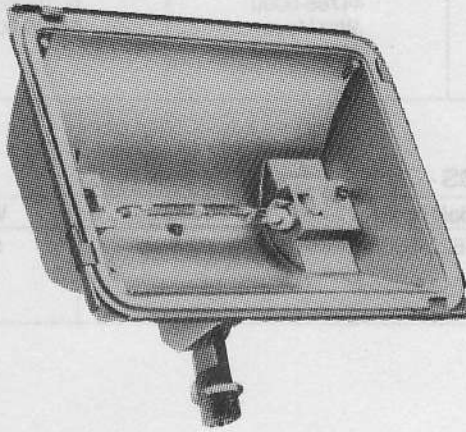


**RAY-LINE****Model 14780-0001**

14780-0001  
500 WATT

**QUARTZ FLOODLIGHT****FEATURES**

- Rugged housing of heavy duty die-cast aluminum.
- Reflector has superior anodic finish with diffused finish to provide wide beam spreads.
- Silicone gaskets weatherproof all critical points.
- Corrosion resistant hardware used on all exposed surfaces.
- Metal clad, spring-loaded porcelain sockets are protected by end reflectors from heat.
- Factory prewired with silicone glass braided wires extending 6" from stem.
- Aiming bars located on both sides of housing and 1/2" stem mounting arm complete with 180° aiming sector and repositioning stop.

Model 14780-0001

**STANDARD MODELS**

Model Numbers	Voltage	Wattage
14780-0001	12, 24, 32 Vdc, 115 Vac	500

**INSTALLATION AND AIMING**

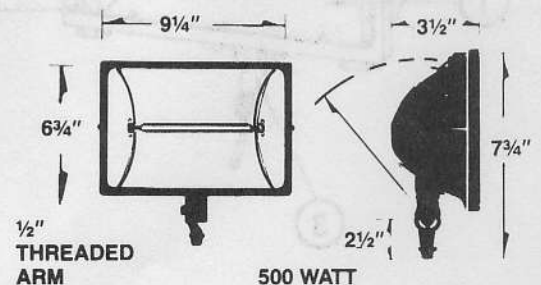
**WARNING: LIGHT HOUSING GETS HOT DURING OPERATION. DO NOT MOUNT WITHIN TWO INCHES OF COMBUSTIBLE MATERIALS. FIRE MAY RESULT.**

1. Bring socket leads thru swivel arm and make connections in junction box.
2. Rotate in horizontal plane to desired area to be illuminated. Secure in position with lock-nut.
3. Set vertical aiming angle by loosening bolt and set screw.
4. Using aiming index align indicator on fin with desired angular setting, and tighten.






Quartz-iodine bulb manufacturers recommend operation within 4° of horizontal from end to end.

**WARNING: LIGHT HOUSING GETS HOT DURING OPERATION. DO NOT TOUCH DURING OR IMMEDIATELY AFTER OPERATION. BURNS MAY RESULT.**

**NOTICE: Use a clean cloth, gloves, or hold by the ceramic socket ends when handling the bulb.**

**DIMENSIONAL DRAWINGS**

### HARDWARE FITTINGS

				
Junction Box 44786-0000	Junction Box 44786-0000 Cross Arm Bkt. 44788-0000	Junction Box 44786-0000 Clamp 1 1/2" - 2" pipe 44784-0000	Junction Box 44786-0000 Wall Mount 44787-0000	Pole Top Mount 2" or 2 1/2" pipe 44785-0000

### REPLACEMENT BULBS

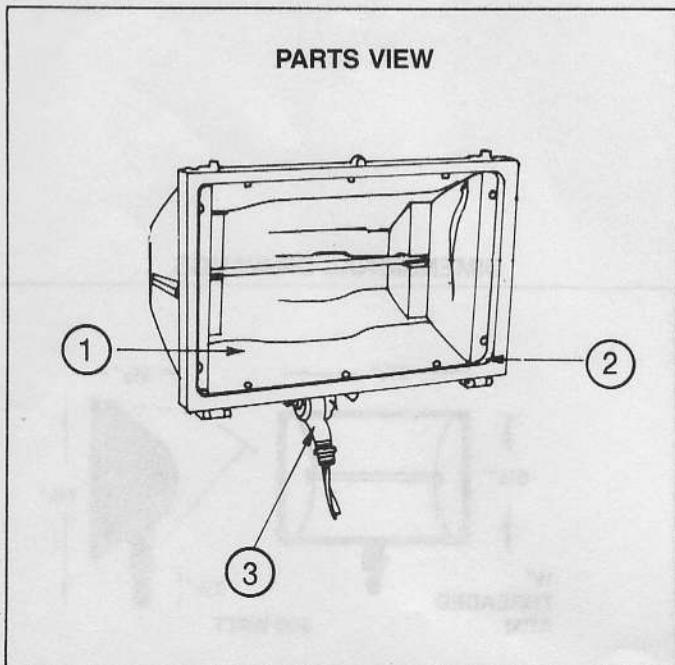
Model Number	Voltage	Watt	Model Number	Voltage	Watt
43950-0000	12 dc	150	44820-0000	115 ac	500
43950-0010	24 dc	250			
43950-0020	32 dc	300			

### PARTS LIST

Key	Part Description	500 Watt 14780-0001*
1	Lens Standard	44832-1001
2	Lens Gasket	44834-1001
3	Lower Swivel Bracket	44836-1001
4	Lens Clip (not shown)	44838-1001

\* When ordering parts for deleted model 14780-0000 (prior to 1983), drop 1001 and use 1000.

### PARTS VIEW



SERVICING. Use mild soap or household type detergent on reflector surface.

DO NOT USE ACID OR CAUSTIC CLEANERS.

THE PRODUCT DESCRIBED HEREIN IS SUBJECT TO THE JABSCO® ONE YEAR LIMITED WARRANTY, WHICH IS AVAILABLE FOR YOUR INSPECTION UPON REQUEST.

**ITT Jabsco**

ITT Fluid Technology Corporation  
1485 Dale Way, P.O. Box 2158, Costa Mesa, Ca 92628-2158  
Tel: (714) 545-8251; Fax: (714) 957-0609  
Bingley Road, Hoddesdon, Hertfordshire EN11 0BU, England  
Tel: 0992-467191; Tlx: 26351 G; Fax: 0992-467132