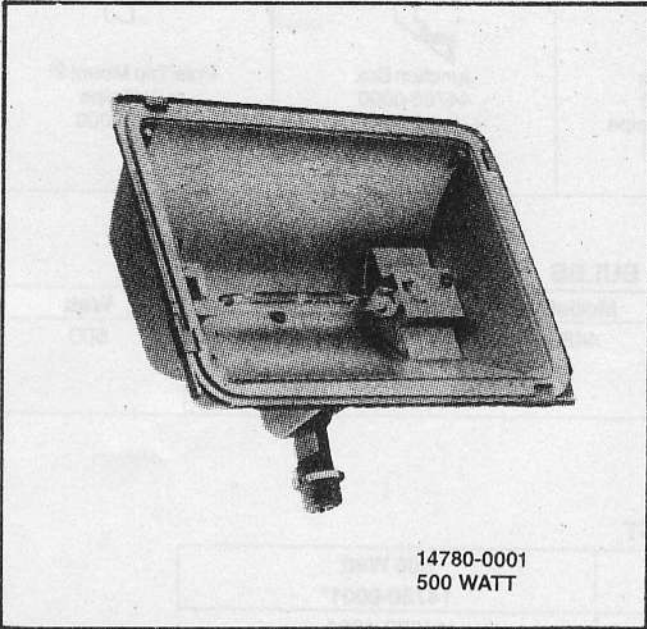




Model 14780-0001



QUARTZ FLOODLIGHT

FEATURES

- Rugged housing of heavy duty die-cast aluminum.
- Reflector has superior anodic finish with diffused finish to provide wide beam spreads.
- Silicone gaskets weatherproof all critical points.
- Corrosion resistant hardware used on all exposed surfaces.
- Metal clad, spring-loaded porcelain sockets are protected by end reflectors from heat.
- Factory prewired with silicone glass braided wires extending 6" from stem.
- Aiming bars located on both sides of housing and 1/2" stem mounting arm complete with 180° aiming sector and repositioning stop.

Model 14780-0001

STANDARD MODELS

Model Numbers	Voltage	Wattage
14780-0001	12, 24, 32 Vdc, 115 Vac	500

INSTALLATION AND AIMING

WARNING: LIGHT HOUSING GETS HOT DURING OPERATION. DO NOT MOUNT WITHIN TWO INCHES OF COMBUSTIBLE MATERIALS. FIRE MAY RESULT.

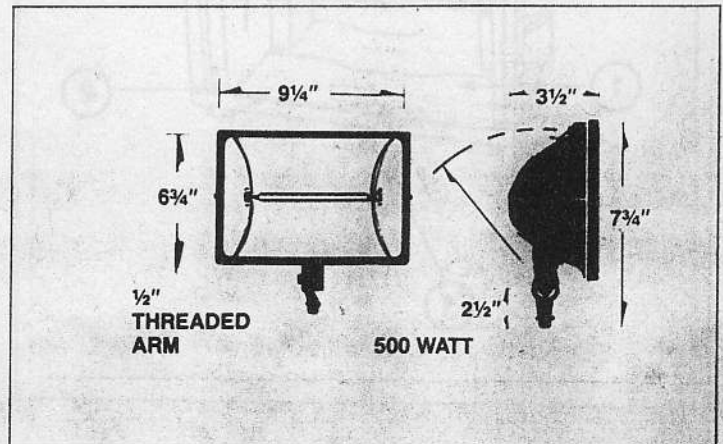
1. Bring socket leads thru swivel arm and make connections in junction box.
2. Rotate in horizontal plane to desired area to be illuminated. Secure in position with lock-nut.
3. Set vertical aiming angle by loosening bolt and set screw.
4. Using aiming index align indicator on fin with desired angular setting, and tighten.

Quartz-iodine bulb manufacturers recommend operation within 4° of horizontal from end to end.






WARNING: LIGHT HOUSING GETS HOT DURING OPERATION. DO NOT TOUCH DURING OR IMMEDIATELY AFTER OPERATION. BURNS MAY RESULT.

NOTICE: Use a clean cloth, gloves, or hold by the ceramic socket ends when handling the bulb.

DIMENSIONAL DRAWINGS



HARDWARE FITTINGS

 Junction Box 44786-0000	 Junction Box 44786-0000 Cross Arm Bkt. 44788-0000	 Junction Box 44786-0000 Clamp 1 1/2" - 2" pipe 44784-0000	 Junction Box 44786-0000 Wall Mount 44787-0000	 Pole Top Mount 2" or 2 1/2" pipe 44785-0000
---	---	---	---	--

REPLACEMENT BULBS

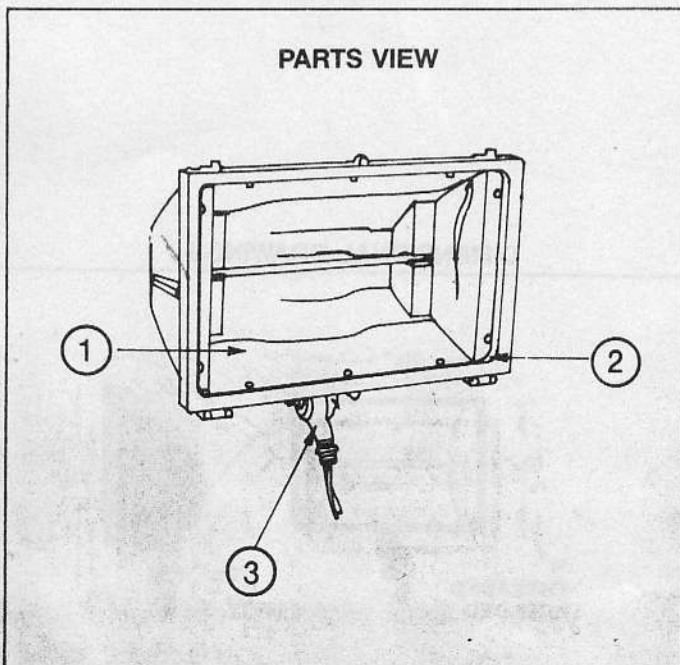
Model Number	Voltage	Watt	Model Number	Voltage	Watt
43950-0000	12 dc	150	44820-0000	115 ac	500
43950-0010	24 dc	250			
43950-0020	32 dc	300			

PARTS LIST

Key	Part Description	500 Watt 14780-0001*
1	Lens Standard	44832-1001
2	Lens Gasket	44834-1001
3	Lower Swivel Bracket	44836-1001
4	Lens Clip (not shown)	44838-1001

* When ordering parts for deleted model 14780-0000 (prior to 1983), drop 1001 and use 1000.

PARTS VIEW



SERVICING. Use mild soap or household type detergent on reflector surface.

DO NOT USE ACID OR CAUSTIC CLEANERS.

THE PRODUCT DESCRIBED HEREIN IS SUBJECT TO THE JABSCO® ONE YEAR LIMITED WARRANTY, WHICH IS AVAILABLE FOR YOUR INSPECTION UPON REQUEST.

ITT JABSCO

A Unit of ITT Corporation
1485 Dale Way, P.O. Box 2158
Costa Mesa, California 92628-2158
Telephone: (714) 545-8251