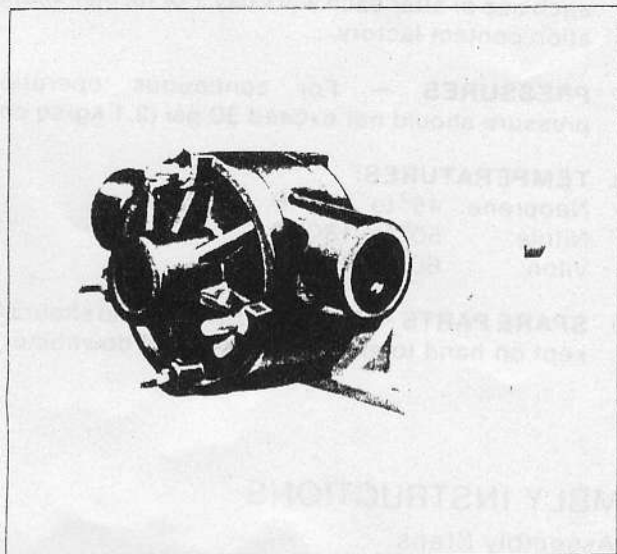


JABSCO®

Self-Priming Pumps

MODEL 14540-SERIES

MODEL 14540-SERIES



DESIGN FEATURES

Body:	Epoxy Plastic
Impeller:	Neoprene, Nitrile or Viton*
Shaft Seal:	Mechanical
Ports:	1" NPT Internal
Shaft:	Type 316 Stainless Steel, Titanium or Hastelloy "B"
Shipping Weight:	8-1/2 lbs (3,8 kg)

APPLICATIONS

Designed for: "transfers," "circulation," "spill returns," "filtration" and "filling line" use. Easily handles pure solutions, foaming liquids, emulsions, suspended solids, gels and ferments. Because the plastic pump is resistant to corrosion and metallic contamination it is widely used for pumping photo chemicals, plating compounds, lab solutions, pharmaceuticals, cosmetics, weak acids, alkalies, liquid fertilizers, insecticides, dyes, detergents, waxes and many more.

CAUTION: If pumping light fraction petroleum derivatives, solvents, thinners, highly concentrated or organic acids, consult Jabsco "Chemical Resistance Table" (which is available upon request from ITT Jabsco) for proper body materials and impeller compounds. If corrosive fluids are handled, pump life will be prolonged if pump is flushed with water after each use or after each work day.

HEAD CAPACITY TABLE

TOTAL HEAD		500 RPM		1160 RPM		1750 RPM	
PSI (kg/sq cm)	Ft. of Water (metre)	GPM (L/min)	H P	GPM (L/min)	H P	GPM (L/min)	H P
4.3 (.30)	10 (3,0)	8.0 (30,3)	1/6	16.5 (62,5)	1/3	25.5 (96,5)	3/4
8.7 (.61)	20 (6,1)	7.5 (28,4)	1/4	16.0 (60,5)	1/3	24.6 (93,1)	3/4
17.3 (1,21)	40 (12,2)	5.4 (20,4)	1/4	14.3 (54,1)	1/3	23.0 (87,1)	3/4
26.0 (1,83)	60 (18,3)	—	—	12.8 (48,4)	1/2	21.0 (79,5)	1

Motor must be capacitor start type

VARIATIONS AVAILABLE

MODEL	DESCRIPTION
14540-0001	Stainless Steel Shaft Neoprene Impeller
14540-0003	Stainless Steel Shaft Nitrile Impeller
14540-0004	Stainless Steel Shaft Viton Impeller Viton O-Rings Viton, Carbon/Ceramic Seal
14540-0021	Hastelloy B Shaft Neoprene Impeller
14540-0023	Hastelloy B Shaft Nitrile Impeller
14540-0024	Hastelloy B Shaft Viton Impeller Viton O-Rings Viton, Carbon/Ceramic Seal
14540-0151	Titanium Shaft Neoprene Impeller
14540-0153	Titanium Shaft Nitrile Impeller
14540-0154	Titanium Shaft Viton Impeller Viton O-Rings Viton, Carbon/Ceramic Seal

*Viton is a trademark of E. I. Du Pont de Nemours and Company.

ITT JABSCO

OPERATING INSTRUCTIONS

- 1. INSTALLATION** — Pump may be mounted in any position. The rotation of the pump shaft determines the location of the pump's intake and discharge ports. Refer to Dimensional Drawing. Before starting, turn the pump shaft in the direction of the operating rotation.
- 2. DRIVE** — Belt or Direct with flexible coupling.
DIRECT DRIVE — Clearance should be left between drive shaft and pump shaft when installing coupling. Always mount pump and align drive shaft before tightening the coupling set screw. Impeller starting torque is 4.8 ft - lbs., size motor accordingly.
- 3. SPEEDS** — 100 RPM to the maximum shown in the performance table. For longer pump life, operate at lowest possible speeds.
- 4. SELF-PRIMING** — Primes at low or high speeds. For vertical dry suction lift of 10 feet (3.0m), a minimum of 800 RPM is required. Pump will produce suction lifts up to 22 feet (6.7m) when wetted. **BE SURE SUCTION LINES ARE AIRTIGHT OR PUMP WILL NOT SELF-PRIME.**
- 5. RUNNING DRY** — Unit depends on liquid pumped for lubrication. **DO NOT RUN DRY FOR MORE THAN 30 SECONDS.** Lack of liquid will burn the impeller and damage the plastic components.
- 6. CAUTION** — If corrosive fluids are handled, pump life will be prolonged if flushed with water after each use or after each work day. For further information contact factory.
- 7. PRESSURES** — For continuous operation, pressure should not exceed 30 psi (2.1 kg/sq cm).
- 8. TEMPERATURES:**
Neoprene: 45° to 180° F
Nitrile: 50° to 180° F
Viton: 60° to 180° F
- 9. SPARE PARTS** — A spare impeller & seal should be kept on hand to eliminate excessive downtime.

DISASSEMBLY AND ASSEMBLY INSTRUCTIONS

- Disassembly □ Assembly Steps

TO REPLACE IMPELLER

- Step #1. ● Remove wing nuts, washers and end cover.
- Step #2. ● Remove pump head from seal housing. Remove O-rings from body grooves.
- Step #3. ● Push impeller from body bore.
- Step #4. □ Install new impeller in lubricated body bore by grasping hub and with a rotary motion push it into the body bore. Replace O-rings in body grooves.
- Step #5. □ Position the body over the through bolts against the seal housing.
- Step #6. □ Install end cover and secure with washers and wing nuts.

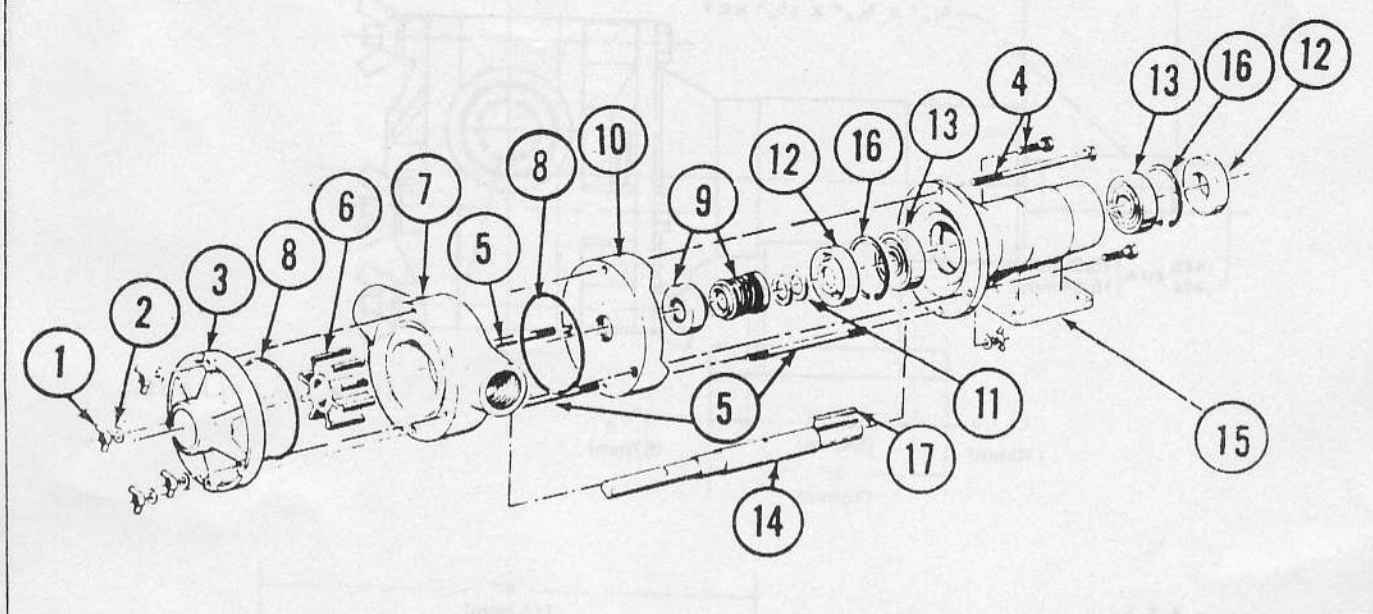
TO REPLACE SEAL ASSEMBLY

- Step #7. ● Follow steps 1●, 2●, and 3●.
- Step #8. ● Remove seal housing. Insert screw driver through seal seat bore and pry seat and grommet from seal housing.
- Step #9. ● Remove seal and seal spring from shaft.
- Step #10. □ Install seal spring on shaft against two shaft washers. Lubricate seal with water and slide on shaft with carbon facing away from spring.
- Step #11. □ Install ceramic seal seat in grommet with grooved face towards grommet. Lubricate outer grommet surface with water and push seal seat assembly into seal housing with ceramic seal facing out of seal seat bore. Assemble seal housing over through bolts so seal and seat faces contact.
- Step #12. □ Assemble impeller, body, and end cover as in steps 4□, 5□, and 6□.

TO SERVICE BEARING HOUSING

- Step #13. ● Follow steps 1●, 2●, 3●, 8●, and 9●.
- Step #14. ● Use a thin screw driver blade to pry inner bearing seal from pedestal. Use retaining ring pliers to remove retaining ring.
- Step #15. ● Press on drive end of shaft to remove shaft and bearing assembly from pedestal.
- Step #16. ● Use thin screw driver blade to pry outer bearing seal from pedestal.
- Step #17. ● Support inner face of one bearing and press shaft through and out of bearing. Reverse shaft, support inner face of second bearing and press shaft through and out of bearing.
- Step #18. □ Support inner face of ball bearing, press shaft through bearing until shaft shoulder bottoms firmly against bearing inner face. Reverse shaft and repeat procedure to assemble second bearing on shaft.
- Step #19. □ Push shaft and bearing assembly into bearing housing from body end, secure with retaining ring in housing.
- Step #20. □ Press inboard bearing seal in bearing housing with lip facing impeller bore.
- Step #21. □ Press outboard bearing seal in bearing housing with lip facing outwards.
- Step #22. □ Assemble balance of pump parts following steps 10□, 11□, and 12□.

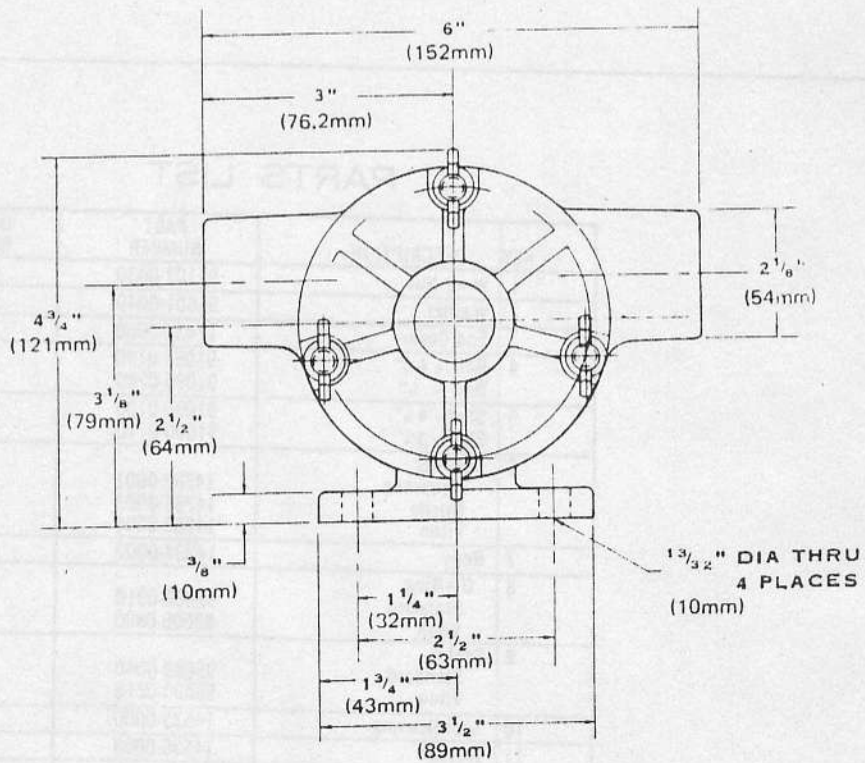
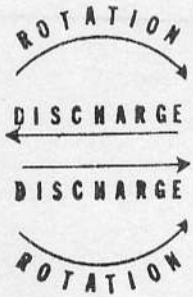
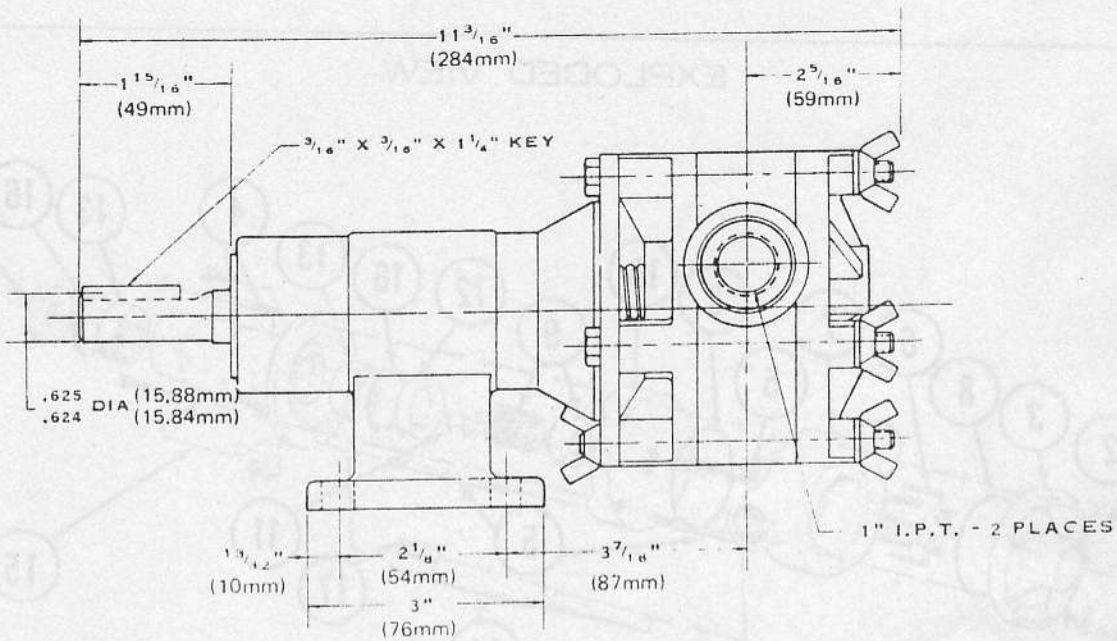
EXPLODED VIEW



PARTS LIST

KEY	DESCRIPTION	PART NUMBER	QTY. REQ.
1	Wing Nut	91107-0030	5
2	Washer	91601-0040	5
3	End Cover	17434-0000	1
4	Bolt - 4/8"	91095-0140	1
	Bolt - 1/2"	91095-0240	2
5	Stud - 4/4"	91090-0100	1
	Stud - 3/4"	91090-0110	2
6	Impeller		1
	Neoprene	14282-0001	
	Nitrile	14282-0003	
	Viton	14282-0004	
7	Body	14934-0000	1
8	O - Ring		2
	Standard	92000-0310	
	Viton	92000-0880	
9	Seal		1
	Standard	96080-0040	
	Viton	96080-0210	
10	Seal Housing	14533-0000	1
11	Washer	14536-0000	2
12	Bearing Seal	496-0000	2
13	Ball Bearing	92600-0120	2
14	Shaft		1
	Stainless Steel	14538-0010	
	Hastelloy "B"	14538-0020	
	Titanium	14538-0150	
15	Bearing Housing	1269-0000	1
16	Retaining Ring	18716-0000	2
17	Key	91402-0110	1

DIMENSIONAL DRAWINGS



ITT JABSCO

A Unit of ITT Corporation
 1485 Dale Way, Costa Mesa, California 92626
 Telephone: (714) 545-8251

THE PRODUCTS DESCRIBED HEREIN ARE SUBJECT TO
 THE JABSCO ONE YEAR LIMITED WARRANTY, WHICH
 IS AVAILABLE FOR YOUR INSPECTION UPON REQUEST.