



Models 62022-4-Series 62040-4 Series
62026-4-Series 62042-4 Series

5", 7" & 8" ELECTRIC REMOTE CONTROL SEARCHLIGHTS

FEATURES

- Complete drive unit enclosed in light housing.
- Single control lever for vertical and horizontal movement.
- Dual speed control for precise beam movement.
- On-off and spot/flood beam selection from a single switch. (Spot only on 7" and 8" models).
- Exclusive Clutch-A-Matic feature protects drive unit against overload. Can operate for extended periods against limit stops without harm. Light head may be moved manually without damage to the drive unit.
- Internal brake system holds beam firmly on target.
- Includes control with on-off, spot/flood switch, dual speed control, and single control for vertical and horizontal movement.

Model Number	Volts	Head	Base	Bulb Type	Candlepower (Combined)
62022-4002	12	Brass	Zinc	5" Spot/Flood	150,000
62026-4002	12	Brass	Brass	5" Spot/Flood	150,000
62040-4002	12	Brass	Brass	7" Spot	230,000
62040-4006	24	Brass	Brass	7" Spot	230,000
62042-4006	24	Brass	Brass	8" Spot	500,000

CABLE LISTING

Part Number	Description
43990-0013	10' Cable Assembly
43990-0014	15' Cable Assembly
43990-0015	25' Cable Assembly
43990-0016	35' Cable Assembly
67294-0000	50' Bulk Cable

CONTROLS

Part Number	Description
43670-0003	Primary Control 12 V
43670-0004	Secondary Control Kit 12 V
60070-0000	Primary Control 24 V
18753-0335	Secondary Control Kit 24 V



Model 62022-4002



Model 62026-4002



Models 62040 & 62042-Series

Models 62022-4-Series, 62040-4 Series, 62026-4-Series, 62042-4 Series

LIGHT MOUNTING

See base mounting dimensions for appropriate model light. Mount all models with front of base toward direction of most intended use (front of circular base is marked with arrow). Drill screw holes (per dimensional drawing) and a 1-1/8" (28mm) hole at center of base for wiring cable. Drill additional holes for wiring cable through firewalls, bulkheads, etc., for connection to control. With gasket under light base, feed wire through hole and fasten light in place.

NOTE: Cable connectors are provided for easy wiring connections. See Wiring Diagram.

CONTROL MOUNTING

43670-0003 12 VOLT & 60070-0000 24 VOLT

Select a location near the helm which will allow convenient operation of control. Unit may be mounted on vertical, horizontal or inclined panel.

1. Cut 2-5/8" (67mm) diameter hole in flat surface where control is to be mounted.
2. Route power leads (supplied by customer) from power source to control. NOTE: Wiring must be 16 gauge with maximum run of 15 ft.
3. Crimp terminals supplied onto power leads. NOTE: Larger terminal is crimped to positive lead – smaller terminal to negative lead.
4. Insert wiring cable and power leads thru back of hole and plug into control.
5. Use bedding compound or sealant to waterproof control mounting.
6. Secure control with self-tapping screws provided.

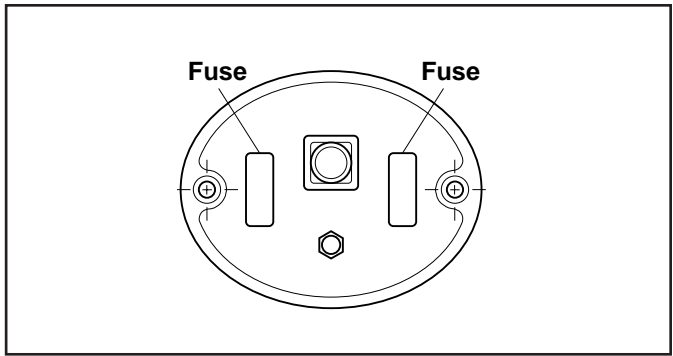
CIRCUIT PROTECTION

Two (2) automotive type fuses are included in the control. One (10 amp) protects the bulb circuit, the other (3 amp) protects the motor circuit.

TROUBLESHOOTING

All lights are thoroughly inspected before shipping and are warranted to operate within specifications. If light does not operate correctly, **CHECK FUSES, AND WIRE HARNESS CONNECTIONS BEFORE PROCEEDING WITH THIS TROUBLESHOOTING.**

PROBLEM	SOLUTION
1. Dual filament bulb works in reverse.	Reverse orange and gray wires at the bulb terminals.
2. Control lever works in reverse in all directions.	Power leads to control are reversed.
3. Light moves in only three of the possible four directions. . .	A. Check connectors. B. Replace control. C. If problem persists, return light & control for service.
4. Dim light (low voltage).	A. Check voltage at power source. B. Refer to cable listing for proper wire gage and length.
5. Bulb operates – no light movement or Light moves – bulb does not operate.	Check fuses on front of control.

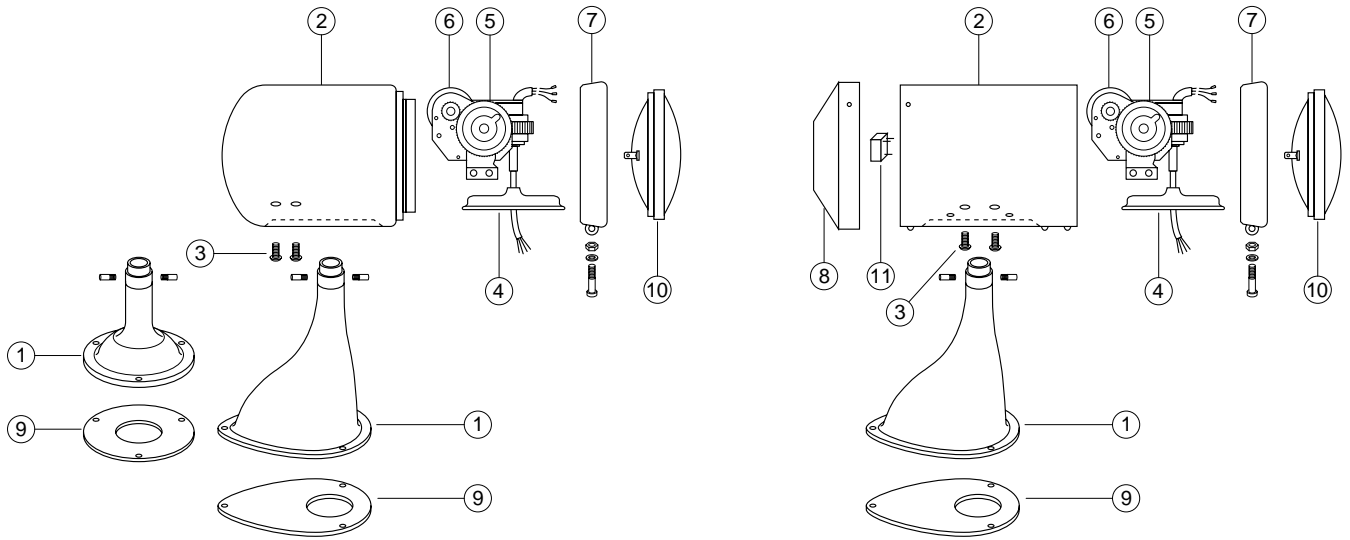


OPTIONAL SECONDARY CONTROL MOUNTING

If an additional control station is desired, use control kit number 43670-0004 12 Volt, 18753-0335 24 Volt. Mount secondary control in same manner as main control. Mount station selector panel near the main control (flybridge or lower).

1. Cut a 2" x 1-3/8" (51mm x 35mm) opening for station selector panel within a 1 foot radius of the control.
2. Route secondary control cable from station selector panel to secondary control location (cable acquired separately – see cable listing).
3. Insert station selector panel thru mounting hole and attach connectors to mating connectors from controls and searchlight. The connectors marked "flybridge" to go to flybridge control and the connector marked "lower" to lower control. The connector to the nearest control can be plugged directly into the control. See diagram.
4. Use bedding compound or sealant to waterproof station selector panel mounting.
5. Secure panel with self-tapping screws provided.

EXPLODED VIEW



Key No.	Part Description	62022-4002		62026-4002		62040-Series		62042-Series	
		Part No.	Qty.	Part No.	Qty.	Part No.	Qty.	Part No.	Qty.
1	Base (includes set screw) Chrome - Zinc	66130-0000	1	---	-	---	-	---	-
		---	-	43990-0030	1	43990-0031	1	43990-0031	1
2	Housing (rubber boot installed) (includes end bell (No.8) on 7" & 8") Chrome - Brass Housing	43990-0032	1	43990-0032	1	43998-0000	1	43966-0000	1
		66138-0000	1	66138-0000	1	66138-0000	1	66138-0000	1
3	Screws for mounting housing (package of 4 screws)	66138-0000	1	66138-0000	1	66138-0000	1	66138-0000	1
4	Rubber Boot (includes straps and fasteners)	43990-0045	1	43990-0045	1	43990-0046	1	43990-0046	1
5	Motor Clutch Assembly (assembled and wired)	43990-0075	1	43990-0075	1	43990-0076	1	43990-0076	1
6	Motor & Pinion Kit (vertical horizontal)*	43990-0078	1	43990-0078	1	43990-0078	1	43990-0078	1
		43990-0079	1	43990-0079	1	43990-0079	1	43990-0079	1
7	Bulb Retaining Ring (chrome) (w/fasteners)	66149-0000	1	66149-0000	1	43990-0039	1	43990-0040	1
8	End Bell (w/fasteners)	---	-	---	-	See Key #2	-	See Key #2	-
9	Gasket (base mount)	66155-0000	1	66156-0000	1	66157-0000	1	66157-0000	1
		67296-0000	1	67296-0000	1	67262-0000	1	67524-0000	1
10	Bulb 12 Vdc 24 Vdc	---	-	---	-	18753-0447	1	98040-0520	1
		---	-	---	-	---	-	43789-0000	1
11	Primary Power Relay - 12 Volt Model**	---	-	---	-	---	-	---	-
	Gear & Clutch Kit (not shown)	43990-0069	-	43990-0069	1	43990-0069	1	43990-0069	1
	Replacement 8-Way Switch for Control (not shown)	43990-0000	1	43990-0000	1	43990-0000	1	43990-0000	1

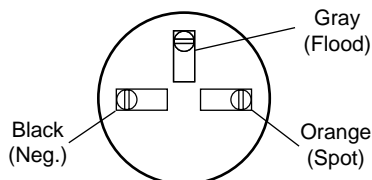
*Vertical & horizontal refer to movement, not orientation or the motor inside the housing.

**For older 12 Volt, 8" models only.

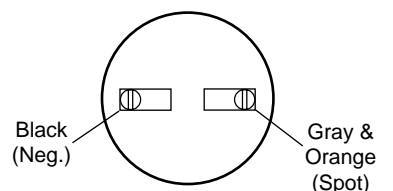
BULB REPLACEMENT

Loosen screw and remove bulb retaining ring. Disconnect wires from faulty bulb. Connect wires to new bulb as shown. Install bulb and fasten with bulb retaining ring.

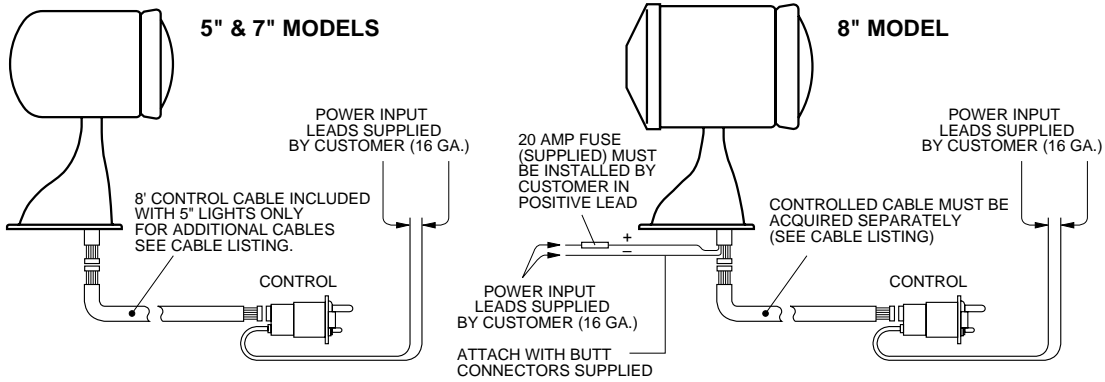
DUAL FILAMENT SPOT/FLOOD



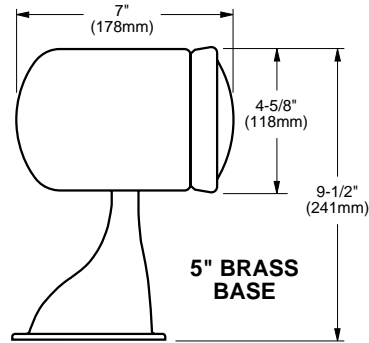
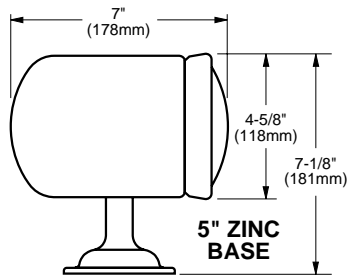
SINGLE FILAMENT



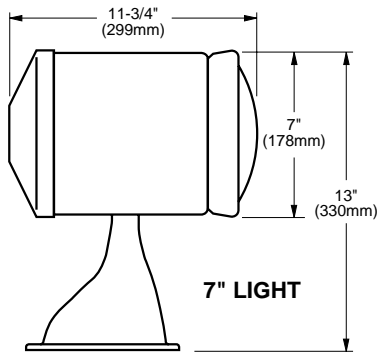
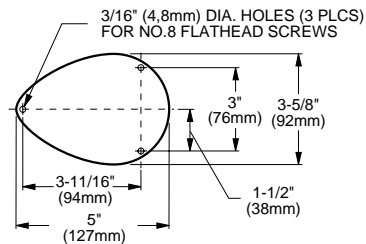
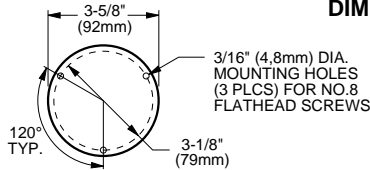
WIRING DIAGRAM SINGLE CONTROL



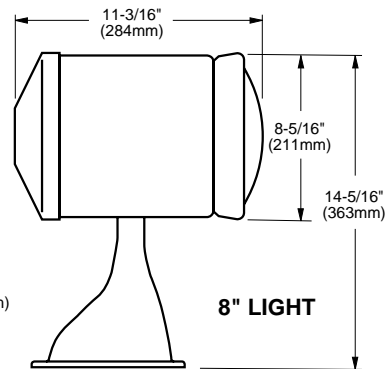
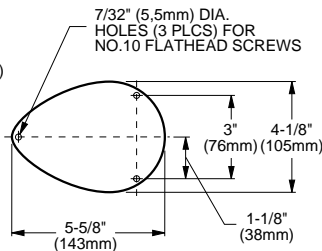
DIMENSIONAL DRAWINGS



BASE MOUNTING DIMENSIONS



BASE MOUNTING DIMENSIONS



Jabsco



ITT Industries
Engineered for life

THE PRODUCTS DESCRIBED HEREIN ARE SUBJECT TO THE JABSCO ONE YEAR LIMITED WARRANTY, WHICH IS AVAILABLE FOR YOUR INSPECTION UPON REQUEST.

U.S.A.
Jabsco
Cape Ann Industrial Park
Gloucester, MA 01930
Tel: 978.281.0440
Fax: 978.283.2619

UNITED KINGDOM
Jabsco
Bingley Road, Hoddesdon
Hertfordshire EN11 OBU
Tel: +44 (0) 1992 450145
Fax: +44 (0) 1992 467132

CANADA
Fluid Products Canada
55 Royal Road
Guelph, Ontario N1H 1T1
Tel: 519 821.1900
Fax: 519 821.2569

JAPAN
NHK Jabsco Company Ltd.
3-21-10, Shin-Yokohama
Kohoku-Ku, Yokohama, 222
Tel: 045.475.8906
Fax: 045.475.8908

GERMANY
Jabsco GmbH
Oststrasse 28
22840 Norderstedt
Tel: +49-40-53 53 73 -0
Fax: +49-40-53 53 73 -11