

53080 Series Bronze Flexible Impeller Utility Pump

Features

- Self prime from dry up to 3 metres
- Flows up to 80 litres per minute
- Pressure up to 2 bar
- Handles hard or soft solids
- Tolerates abrasive wear
- Non pulsating flow
- Handles viscosities up to 500 centiPoise
- Uses standard IEC motor
- Dry running capability for 30 minutes, post operation



Typical Applications

- Sump emptying and cellar drainage
- Sewage tank emptying
- Product transfer
- Mains boosting
- Shallow well pumping
- Water sampling
- Washdown systems
- Silo pump-out on farms
- Dockside pump-out of toilets

Model Options

Specifications

Seal : Carbon/Ceramic mechanical seal, Nitrile elastomers

Pump Head : Bronze with integral fluid reservoir to protect pump against dry running for up to 30 minutes, post operational

End Cover : Brass

Bearings : Uses motor bearings

Shaft : Stainless steel, shaft extension

Ports : 1½" BSP internal thread

Cable : Fitted with 2m long supply cable

Weight : 15kg.



Pump rated to 40 minutes continuous duty at 1.5 bar differential pressure with water at 20°C ambient temperature

Impeller Option				Neoprene	Nitrile
Temperature Range				4°C to 80°C	-5°C to 90°C
Volts	Amps	Hertz	RPM		
230	4	50	1450	53080-2001	53080-2003
Pump Head Only				53081-2001	53081-2003

*Uses a modified Cam without port fingers

All motors are 4 pole, single phase, 550 Watt, AC. Enclosure IP55. Fitted with manual reset overload.

Note: it is **NOT** recommended to start the pump at extreme ends of the temperature range, impeller damage may occur

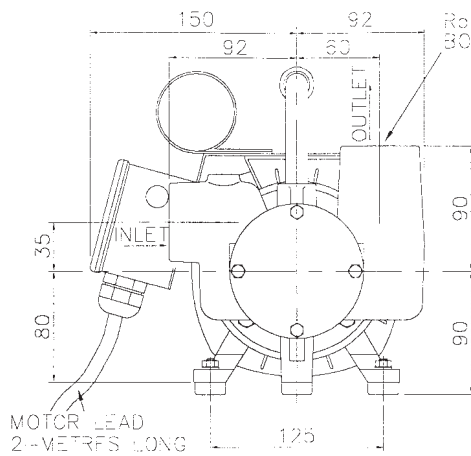
For Installation, Operating, Maintenance and Safety Instructions refer to form 43001-0543



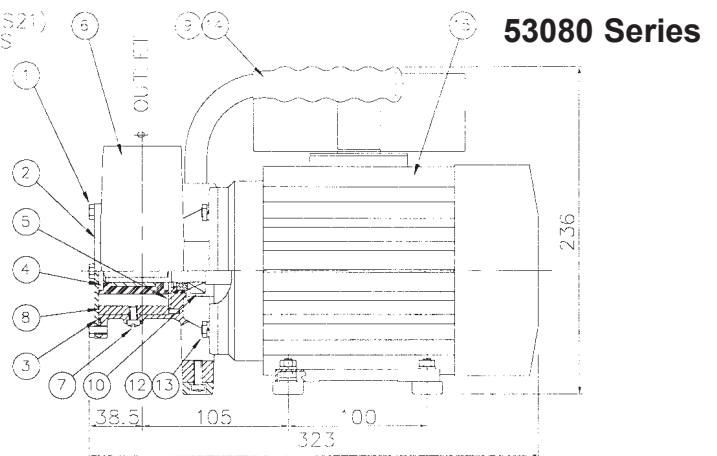
WARNING Explosion hazard. Do not pump gasoline, solvents, thinners or other flammable liquids. To do so can cause an explosion resulting in injury or death.



WARNING Fire hazard. Wiring must comply with applicable electrical standards and include a properly sized fuse or circuit breaker. Improper wiring can cause a fire resulting in injury or death



Dimensions in mm



53080 Series

Parts List

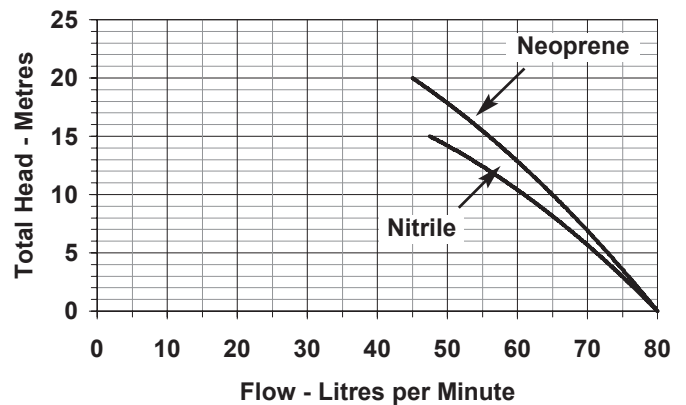
Key	Description	Qty	Part No.
1	Screw*	4	X3001-176F
2	Endcover	1	53085-0000
3	O-Ring*	1	See Below
4	Impeller*	1	See Below
5	Wearplate	1	4156
6	Body	1	53084-2000
7	Screw	Cam	1 X3004-174F
8	Cam	Standard	1 53082-0000
		Marine	1 53082-0060
9	Handle	1	53083-0000
10	Seal assembly*	1	22626-6000
12	Screw	Body	4 X3001-180C
13	Washers	1	X3081-091C
14	Handle grip	1	X5255-005
15	Motor	230V/50Hz	1 SP8012-0243
-	Feet Set	1	23822-0000B

Alternative compounds, spare parts & service kit numbers

Key	Description	Neoprene	EPDM	Nitrile	Viton®
3	O-ring	X4020-269A	X4020-269A	X4020-269A	X4020-269B
4	Impeller	14282-0001	8981-0002	14282-0003	14282-0004
	Service kit	SK411-0001		SK411-0003	N/A

Service kit contains parts marked * above
Models with a Neoprene or an EPDM Impeller, use Nitrile Lip Seal and O-rings

Performance



Note : Performance shown is for a new pump, pumping water at 20°C, performance may vary by up to 15%. Consult factory for performance of alternative impeller compounds.

Viton is a registered trademark of DuPont Dow Elastomers

xylem

Let's Solve Water

USA

Jabsco
20 Icon
Foothill Ranch
CA 92610

Tel : +1 949 609 5106
Fax : +1 949 859 1254

UK

Jabsco
Bingley Road
Hoddesdon
Hertfordshire, EN11 0BU

Tel : +44 (0) 1992 450 145
Fax : +44 (0) 1992 467 132

GERMANY

Jabsco GmbH
Oststraße 28
22844 Norderstedt

Tel : +49 (0) 40 53 53 73 0
Fax : +49 (0) 40 53 53 73 11