

NEW!



ITT



Par-Max Series

7.0 GPM WATER PRESSURE PUMP



Service up to seven outlets with smooth flow and hassle-free operation.

The high pressure capability of the new Par-Max Series 7.0 GPM water pressure pump provides exceptional flow and consistent water pressure to easily handle the demand of multiple outlets at one time. When onboard appliances are activated, the built in bypass design re-circulates back pressure into the pump to reduce cycling resulting in a quieter and smoother flow.

The Par-Max 7.0 GPM Water Pressure Pump includes a Pumpgard™ strainer, soft rubber mounts and quick connect fittings for ease of installation. The pump is self priming up to 10ft. (3m) and can run dry without damage. It's manufactured from corrosion resistant materials and is capable of pumping water up to 70°C (160°F). Available in either 12 or 24 volt DC versions, the Par-Max 7.0 GPM Water Pressure Pump is certified to EN ISO 8846 Marine (Ignition Protection).

Features and Benefits

- 7.0 GPM (26.5 LPM) Open Flow Rate
- Up to 60 PSI (4.1 bar)
- Self-Priming / Runs Dry
- Silent Operation
- Low Amp Draw



Engineered for life

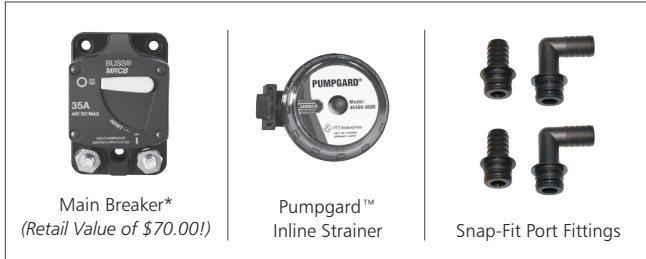
PAR-MAX SERIES™ | 7.0 GPM WATER PRESSURE PUMP

Specifications

Pump: 5 Chamber Positive displacement diaphragm design. Self-Priming up to 10 feet suction lift. Pump able to run dry without damage. Removable port adapters.

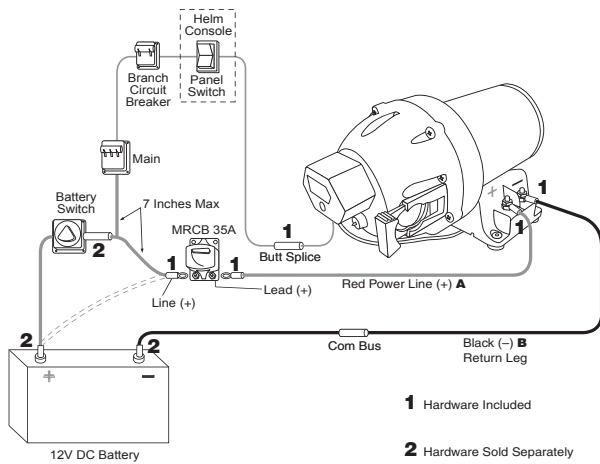
Motor: Permanent magnet, double ball bear armature.

Kit Includes



*Main breaker is available in aftermarket packaging. Not included with 24 volt version.

Wiring Diagram



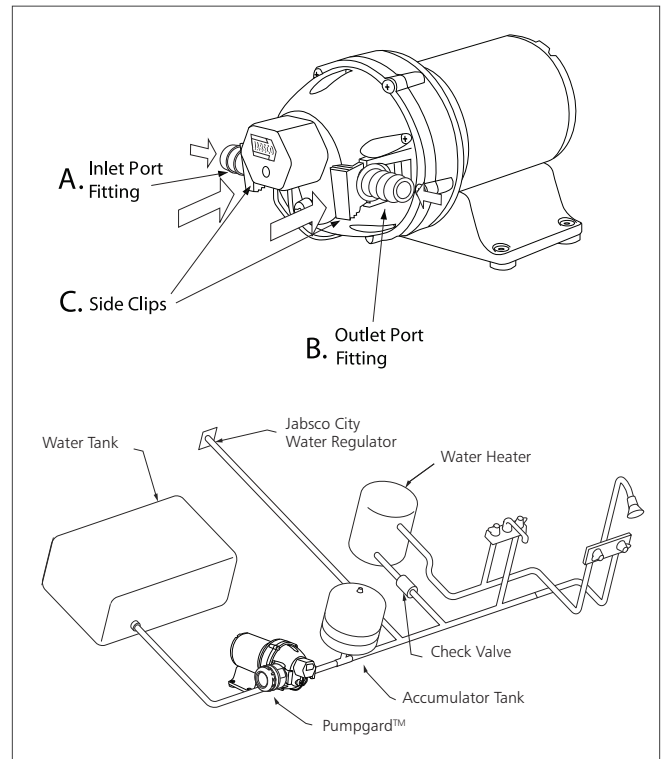
Available Pre-Pressurised Accumulator Tanks



Accumulator tank will improve any pressure switch controlled water system by smoothing water flow and reducing on/off cycling of the pump.

Jabsco accumulator tanks are maintenance free and can be mounted at any angle, thanks to their internal membrane.

Typical Installation Layout



Model Number	Voltage	Max Amp Draw	Open Flow GPM (lpm)	Switch Max PSI (bar)
52600-0092	12	35	7.0 (26.5)	60 (4.1)
52600-0094	24	20	7.0 (26.5)	60 (4.1)
52600-0292	12	30	7.0 (26.5)	40 (2.7)
52600-0294	24	15	7.0 (26.5)	40 (2.7)



Engineered for life

www.jabsco.com

USA

ITT Corporation
Cape Ann Industrial Park
Gloucester, MA 01930
Tel: (978) 281-0440
Fax: (978) 283-2619

UK

ITT Industries
Bingley Road, Hoddesdon
Hertfordshire EN11 0BU
Tel: +44 (0) 1992 450145
Fax: +44 (0) 1992 467132

GERMANY

Jabsco GmbH
Oststrasse 28
22844 Norderstedt
Tel: +49-40-53 53 73-0
Fax: +49-40-53 53 73-11

JAPAN

NHK Jabsco Company Ltd.
3-21-10, Shin-Yokohama
Kohoku-Ku, Yokohama, 222-0033
Tel: +81-045-475-8906
Fax: +81-045-477-1162

ITALY

Jabsco Marine Italia
Via Tommaseo, 6
20059 Vimercate, Milano
Tel: +39 039 685 2323
Fax: +39 039 666 307

Warranty: All products of the company are sold and all services of the company are offered subject to the company's warranty and terms and conditions of sale, copies of which will be furnished upon request. The information provided herein is for guidance only, it does not constitute a guarantee of the performance or specification of any individual product or component.