



Waste Evacuation Pump

Introducing the New Diaphragm Waste Evacuation Pump

- 360° rotating head for flexible installation
- Capable of extensive dry running
- Compact and simple design
- Filter-less design
- Quiet running
- Corrosion-resistant parts
- Complies with USCG 183.410 and ISO 8846 MARINE (ignition protection)



Jabsco is excited to introduce the NEW inline Diaphragm Waste Evacuation Pump designed specifically for use in the evacuation of holding tanks. With 1-1/2" (38mm) ports and no requirement for a pre-filter, black water can be moved easily at a flow rate of 5 gpm (19 lpm). The self-priming and dry running capabilities further enhance the synergy of this pump to the application, and the 360° rotating pump head allows the unit to be mounted in almost any position relative to the direction of the pipe work.



The 360° rotation on the pump head and the 360° flip rotation options give this pump true installation flexibility.

Specifications

Model	Description	Voltage	Amp Draw	Fittings	Flow	Head
50890-1000	Waste Pump	12 Volts	10A	1-1/2" (38mm)	5 gpm (19 lpm)	10 ft (3m)
50890-1100	Waste Pump	24 Volts	7A	1-1/2" (38mm)	5 gpm (19 lpm)	10 ft (3m)

Jabsco



ITT Industries
Engineered for life



Jabsco Waste Evacuation Systems

Dimensional Drawings Inches (mm)

Waste Pump

50890-100012 Volts

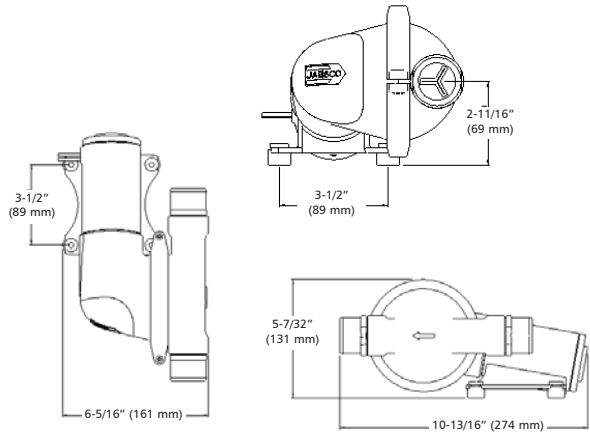
50890-1100.....24 Volts

Specifications

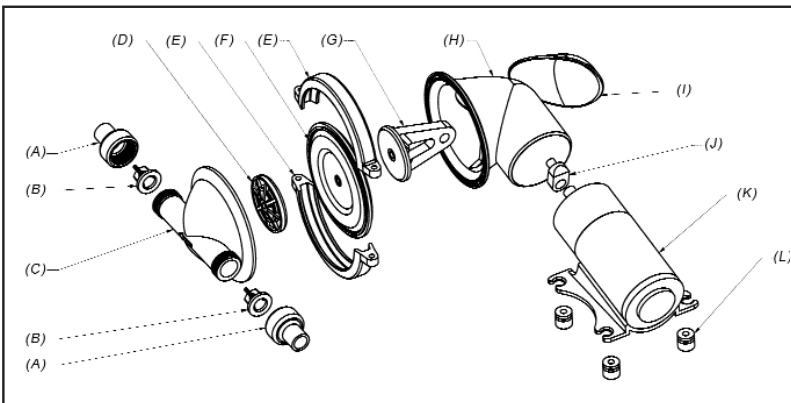
Nominal Voltage..... 12/24 Volts

Amp Draw..... 15 Amp (12V)
.....7 Amp (24V)

Flow Rate..... 5 GPM (19 LPM)



Exploded View



Key

- A 1-1/2" (38mm) ports
- B Joker valves
- C Pump chamber
- D Diaphragm plate
- E Diaphragm clamps
- F Diaphragm
- G Connecting rod
- H Motor / Diaphragm bracket
- I Bracket cover
- J Crank
- K Motor and gearbox
- L Rubber mounting feet

Jabsco

www.jabsco.com



USA
Jabsco
1 Kondelin Road
Gloucester, MA 01930
Tel: 978 281 0440
Fax: 978 281 2619

UK
Jabsco
Bingley Road, Hoddesdon
Hertfordshire EN11 0BU
Tel: +44 (0) 1992 450145
Fax: +44 (0) 1992 467132

CANADA
Fluid Products Canada
55 Royal Road
Guelph, Ontario N1H 1T1
Tel: 519 821 1900
Fax: 519 821 2569

JAPAN
NHK Jabsco Company Ltd.
3-21-10, Shin-Yokohama
Kohoku-Ku, Yokohama, 222
Tel: 045 475 8906
Fax: 045 475 8908

GERMANY
Jabsco GmbH
Oststrasse 28
22840 Norderstedt
Tel: +49-40-53 43 73 -0
Fax: +49-40-53 53 73 -11

ITALY
Jabsco Marine Italia S.r.l.,
Via Tommaso, 6,
20059 Vimercate, Milano
Tel: +39 039 6852323
Fax: +39 039 666307

Warranty: All products of the company are sold and all services of the company are offered subject to the company's warranty and terms and conditions of sale, copies of which will be furnished upon request. The information provided herein is for guidance only, it does not constitute a guarantee of performance or specification of any individual product or component.