

## 50020 Series

### Bronze Flexible Impeller Pump

#### Features

- Self prime from dry up to 1.5 metres
- Flows up to 18 litres per minute
- Pressure up to 1.7 bar
- Will handle hard or soft solids
- Will tolerate abrasive wear
- Non pulsating flow
- Will handle viscosities up to 500 centiPoise
- Uses standard IEC motor



#### Typical Applications

- **Industrial** : Industrial filling systems, Utility shop pump, Transfer systems, Recharge water softeners, Sump emptying, Cooling tower circulation, Line cleaning, Heat exchangers, Air scrubbers, Processing systems, Laboratory circulation and Oil changing
- **Plumbing** : Emptying clogged drains, Pump out water closets and Empty sumps, sinks & tubs.
- **Contractors** : Cement mixing, Wash down equipment, Empty basements and Fill & empty tanks.
- **Agricultural** : Fill water tanks, Flush animal pens and Pumping water for livestock.
- **Food & Beverage** : Vending machines, Refrigeration condensate pump out, Wash down equipment and Floor cleaning.

#### Specifications

**Seal** : Nitrile lip seal

**Pump Head** : Bronze

**End Cover** : Brass

**Bearings** : Uses motor bearings

**Shaft** : Stainless steel, shaft extension

**Ports** : ½" BSP internal thread and 25mm (1") bore hose connections

**Motor Adaptor** : Polypropylene

**Weight** : 6.4kg

#### Model Options

Impeller option				Neoprene	Nitrile
Temperature range				4°C to 80°C	0°C to 90°C
Poles	Volts	Amps	RPM		
4	230	2.13	1450	50020-2411	50020-2413
Pump head only				50021-2411	50021-2413


Motors are single phase, 180 Watt, 50 Hertz, AC. Face & Foot mounting B3-B14.

Enclosure IP55, frame size 63 all IEC 72 standard. Fitted with manual reset overload.


Note : it is not recommended to start the pump at extreme ends of the temperature range, impeller damage may occur

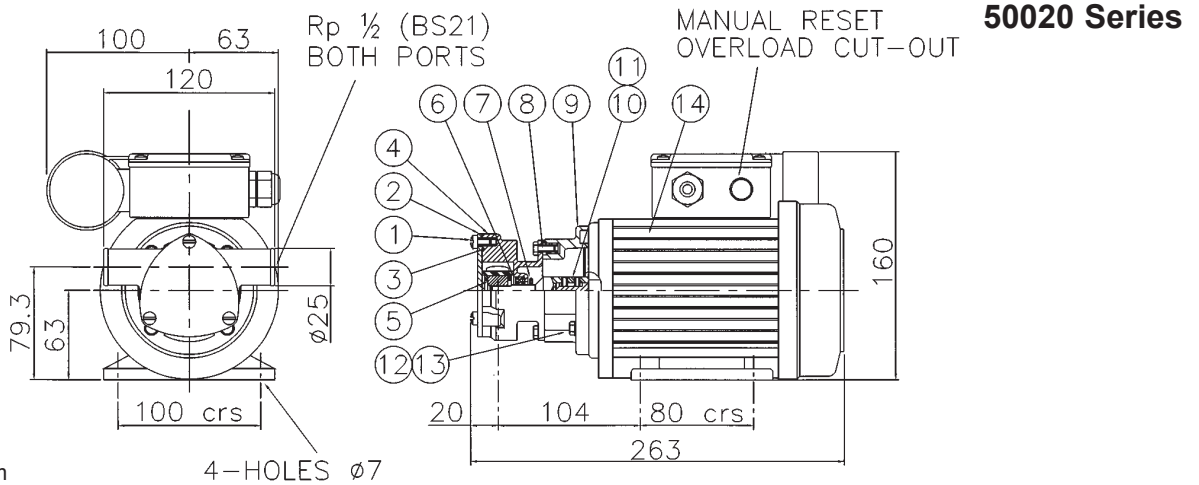
For Installation, Operating, Maintenance and Safety Instructions refer to form 43001-0543

**⚠ WARNING** Explosion hazard. Do not pump gasoline, solvents, thinners or other flammable liquids. To do so can cause an explosion resulting in injury or death.



**⚠ WARNING** Fire hazard. Wiring must comply with applicable electrical standards and include a properly sized fuse or circuit breaker. Improper wiring can cause a fire resulting in injury or death.

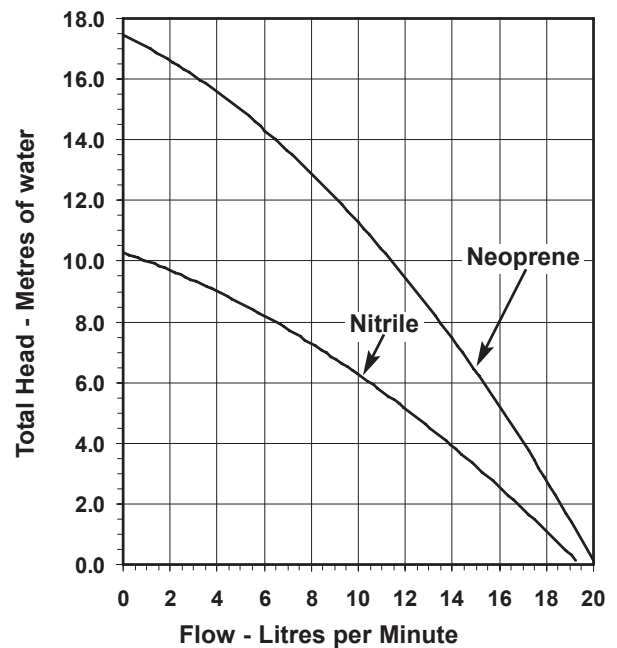




### Parts List

Key	Description	Qty	Part Number
1	Screw*	3	SP1004-09
2	Endcover*	1	9328-0
3	Gasket*	1	1985-01
4	Body	1	23064-2000
5	Impeller Neoprene*	1	7273-0001
	Impeller Nitrile*	1	7273-0003
6	Lip Seal*	1	SP2701-52
7	Slinger	1	6342
8	Screw - M5 x 12	2	X3001-151F
9	Adaptor	1	50168-0000
10/11	Shaft Extension Kit	1	50167-0000
12	Screw - M5 x 16	4	X3001-153F
13	Washer	4	X3080-081F
14	Motor	1	SP8012-0260
Parts marked * contained in service kit			
Service	Neoprene	1	SK224-02
Kit	Nitrile	1	SK224

### Performance



**Note :** Performance shown is for a new pump, pumping water at 20°C, performance may vary by up to 15%. Consult factory for performance of alternative impeller compounds.

**xylem**  
Let's Solve Water

#### USA

**Jabsco**  
20 Icon  
Foothill Ranch  
CA 92610

Tel : +1 949 859 4945  
Fax : +1 949 859 1153

#### UK

**Jabsco**  
Bingley Road  
Hoddesdon  
Hertfordshire, EN11 0BU

Tel : +44 (0) 1992 450 145  
Fax : +44 (0) 1992 467 132

#### GERMANY

**Jabsco GmbH**  
Oststraße 28  
22844 Norderstedt

Tel : +49 (0) 40 53 53 73 0  
Fax : +49 (0) 40 53 53 73 11