

50010 Series

Bronze Flexible Impeller Pump

Features

- Self prime from dry up to 1.5 metres
- Flows up to 6 litres per minute
- Pressure up to 2.5 bar
- Will handle hard or soft solids
- Will tolerate abrasive wear
- Non pulsating flow
- Will handle viscosities up to 500 centiPoise
- Uses standard IEC motor



Typical Applications

- **Industrial** : Industrial filling systems, utility shop pump, transfer systems, recharge water softeners, sump emptying, cooling tower circulation, line cleaning, heat exchangers, air scrubbers, laboratory circulation, oil changing.
- **Plumbing** : Empty clogged drains, sumps, sinks & tubs, pump out water closets.
- **Contractors** : Cement mixing, wash down equipment, fill & empty tanks, empty basements.
- **Agricultural** : Fill water tanks, flush animal pens, plumbing water for livestock.
- **Food, Beverage & Dairy** : Vending Machines, refrigeration condensate pump out, wash down equipment & floor cleaning.

Specifications

Seal : Nitrile lip seal

Pump Head : Bronze

End Cover : Brass

Bearings : Uses motor bearings

Shafts : Stainless steel shaft extension

Ports : $\frac{3}{8}$ " BSP internal thread and 19mm ($\frac{3}{4}$ ") bore hose connections

Motor Adaptor : Polypropylene

Weight : 6.3kg

Model Options

Impeller option				Neoprene	Nitrile
Temperature range				4°C to 80°C	0°C to 90°C
Poles	Volts	Amps	RPM		
4	230	2.13	1450	50010-2411	50010-2413
Pump head only				50011-2411	50011-2413

Motors are single phase, 180 Watt, 50 Hertz, AC. Face & Foot mounting B3-B14.

Enclosure IP55, frame size 63 all IEC 72 standard. Fitted with manual reset overload.

Note : it is not recommended to start the pump at extreme ends of the temperature range, impeller damage may occur

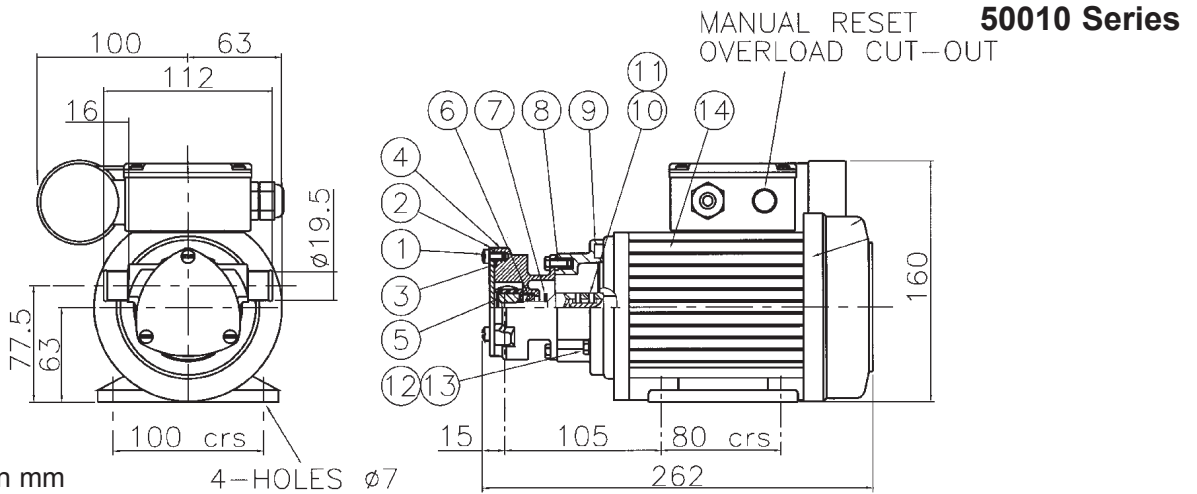
For Installation, Operating, Maintenance and Safety Instructions refer to form 43001-0543



WARNING Explosion hazard. Do not pump gasoline, solvents, thinners or other flammable liquids. To do so can cause an explosion resulting in injury or death.



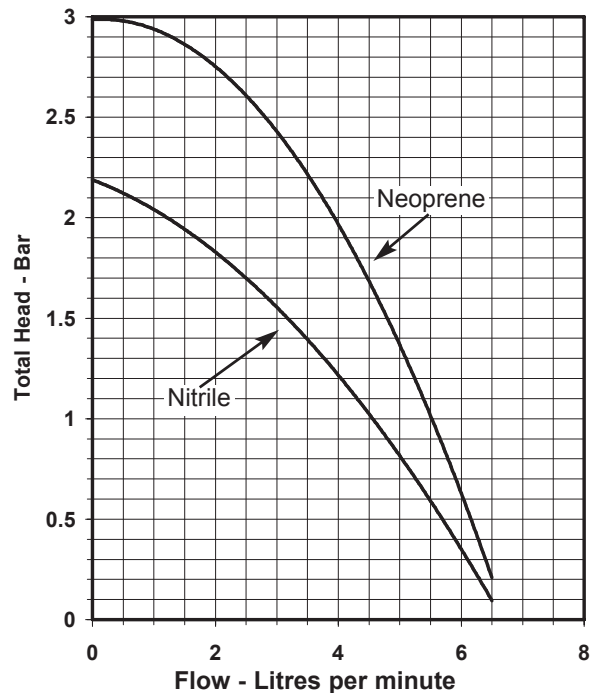
WARNING Fire hazard. Wiring must comply with applicable electrical standards and include a properly sized fuse or circuit breaker. Improper wiring can cause a fire resulting in injury or death



Parts List

Key	Description	Qty	Part Number
1	Screw*	3	SP1004-09
2	Endcover*	1	9328-0200
3	O-Ring*	1	X5251-049
4	Body	1	23674-2000
5	Impeller Neoprene*	1	9200-0021
	Impeller Nitrile*	1	9200-0023
6	Lip Seal*	1	SP2701-52
7	Slinger	1	6342
8	Screw - M5 x 12	2	X3001-151F
9	Adaptor	1	50168-0000
10/11	Shaft Extension Kit	1	50167-0000
12	Screw - M5 x 16	4	X3001-153F
13	Washer	4	X3080-081F
14	Motor	1	SP8021-0260
Parts marked * contained in service kit			
Service Kit	Neoprene	1	SK400-0021
	Nitrile	1	SK400-0023

Performance



Note : Performance shown is for a new pump, pumping water at 20°C, performance may vary by up to 15%. Consult factory for performance of alternative impeller compounds.

xylem
Let's Solve Water

USA

Jabsco
20 Icon
Foothill Ranch
CA 92610

Tel : +1 949 859 4945
Fax : +1 949 859 1153

UK

Jabsco
Bingley Road
Hoddesdon
Hertfordshire, EN11 0BU

Tel : +44 (0) 1992 450 145
Fax : +44 (0) 1992 467 132

GERMANY

Jabsco GmbH
Oststraße 28
22844 Norderstedt

Tel : +49 (0) 40 53 53 73 0
Fax : +49 (0) 40 53 53 73 11