



## Low Cost Water System Protection!



## Jabsco Water Pressure Regulators

Designed for day and night protection of the entire plumbing system from unregulated city water system hook-ups. Whether connected to a dock-side main or a campground faucet, the new Jabsco Regulator will maintain regulated output at low or high flow rates. The removable strainer protects valves and seal-seats from pipe scale and other debris.

### FEATURES

- **Reduces unregulated city water pressures that can run as high as 125 psi down to a safe 45 psi - automatically**
- **Features built-in backflow preventer. Federal and State required on RV's with water service hookup**
- **Built-in port strainer is easily cleanable**



**ITT**

*Engineered for life*

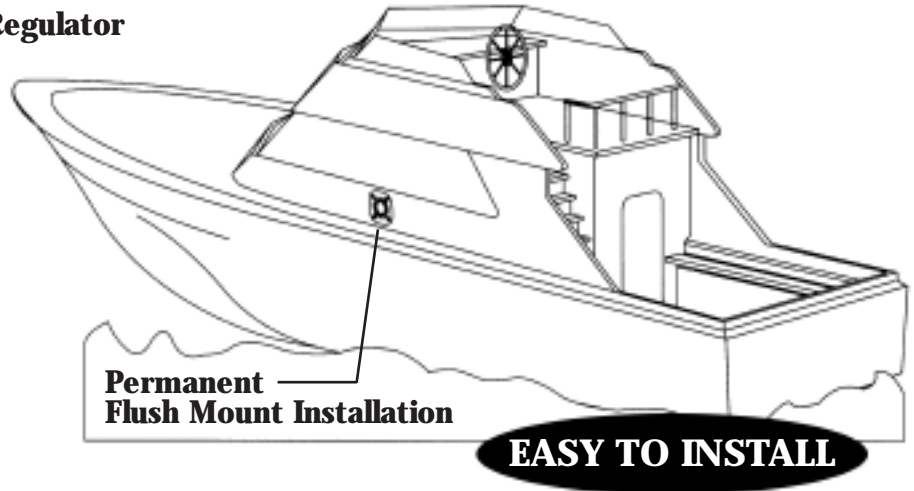


## FLUSH MOUNT MODEL 44411-SERIES

### Permanent City Water Pressure Regulator and City Water Entry

#### FEATURES

- Flush mounts permanently in vessel super structure
- Easily replaces most original city water entries
- Automatic pressure regulation
- Built-in backflow preventer
- Easy cleaning strainer
- Dust cap



#### Specifications:

Water pressures from 46-125 psi (3-10 bar) will be regulated down to 45 psi (3 bar). Lower pressures will pass through unregulated. Variance is  $\pm 5$  psi (0.3 bar).

#### Fitting:

Flush, 3/4 GHT(f) inlet and 1/2"-14 pipe 90° swivel-elbow outlet.  
Inline, 3/4 GHT(f) inlet and 3/4 GHT(m) outlet.

#### Materials:

UV-resistant plastic, crack resistant mounting flange.

#### Working Temperature:

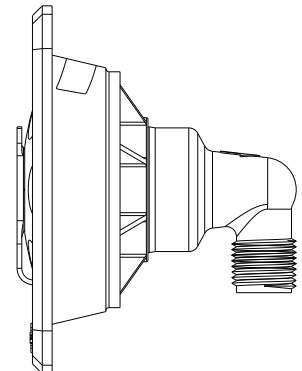
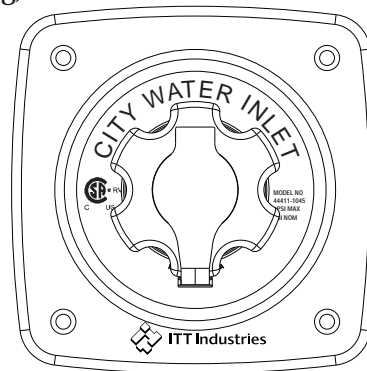
33-150°F (1-65°C).

#### Weight:

Inline, 0.2 lb. (0.1 kg).  
Flush, 0.4 lb. (0.2 kg).

#### MODEL NUMBER:

- 44411-0045 In-line, white, 45 psi (3.1 bar)  
44411-1045 Flush mount, white 45 psi (3.1 bar)  
44411-2045 Flush mount, chrome 45 psi (3.1 bar)



#### IN-LINE MODEL ALSO AVAILABLE



[www.jabsco.com](http://www.jabsco.com)

**USA**  
Jabsco  
666 E Dyer Road  
Santa Ana, CA 92705  
Tel: 714-557-4700  
Fax: 714-628-8478

**UK**  
Jabsco  
Bingley Road, Hoddesdon  
Hertfordshire EN11 0BU  
Tel: +44 (0) 1992 450145  
Fax: +44 (0) 1992 467132

**JAPAN**  
NHK Jabsco Company Ltd.  
3-21-10, Shin-Yokohama  
Kohoku-Ku, Yokohama, 222  
Tel: 045 475 8906  
Fax: 045 475 8908

**GERMANY**  
Jabsco GmbH  
Oststrasse 28  
22840 Norderstedt  
Tel: +49-40-53 43 73 -0  
Fax: +49-40-53 53 73 -11

**ITALY**  
Jabsco Marine Italia S.r.l.  
Via Tommaso, 6,  
20059 Vimercate, Milano  
Tel: +39 039 6852323  
Fax: +39 039 666307

Warranty: All products of the company are sold and all services of the company are offered subject to the company's warranty and terms and conditions of sale, copies of which will be furnished upon request. The information provided herein is for guidance only, it does not constitute a guarantee of performance or specification of any individual product or component.