



Jabsco ParMax 1 Plus

LOW FLOW, COMPACT WATER PRESSURE PUMPS

The New LF Plus Motor Driven Marine Pumps are backed by Jabsco's diaphragm pump technology, a brand enjoying over 50 years of operational excellence.

This NEW Jabsco design with an IP (Ingress Protection) rated cover and quick fit ports improves the installation process and follows 50 years of innovative Jabsco design. With on demand (pressure switch shut-off) and made from a robust material selection, suitable for handling a broad range of applications these low flow pumps meet the markets variable demands. Jabsco Diaphragm pumps provide dependable run dry capabilities, extending the life of the pump. NOW, this pump comes packaged in a clam shell with port fittings, or choose the combination pump and faucet model to complete your installation. The clamshell is designed so it may be merchandised on pegboard or placed on the counter for those impulse purchases.



Features and Benefits:

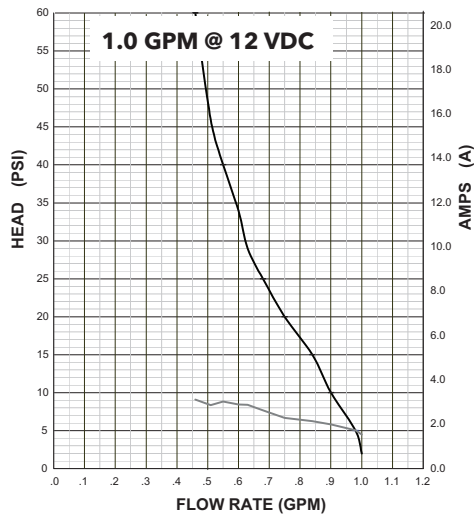
- Flow rates up to 1.0 GPM (3.8 LPM.) and operating pressures up to 35 PSI (2.4 bar)
- Demand (pressure switch shut-off)
- Sealed motor and pressure switch, providing years of dependable reliability
- Jabsco Diaphragm pumps provide dependable run dry capabilities, extending the life of the pump
- Self priming, accommodating up to 6ft. (1.8m)
- Built in thermal protector, prevents overheating to protect the pump from damage
- Quick Disconnect Ports allow for quick cleaning and easy hose replacement in seconds
- Low amp draw, ideal for battery powered applications
- Optional faucet with tubing and fittings model to complete the water delivery system on your vessel



a xylem brand

ParMax 1 Plus LOW FLOW, COMPACT WATER PRESSURE PUMPS

Head-Flow Chart

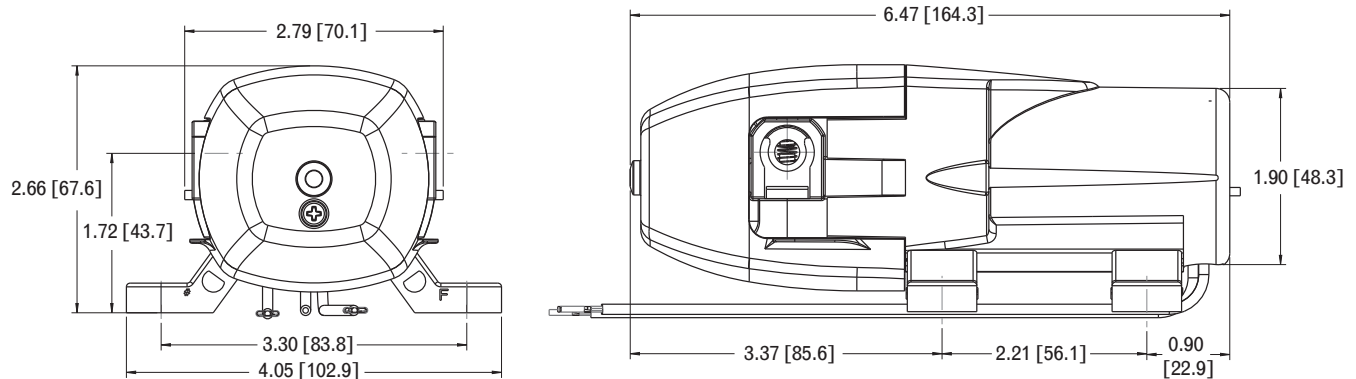


Specifications

Pump Design	Reciprocating Diaphragm
Maximum Flow Rate	1.0 GPM (3.78 LPM) @ open flow
Duty Cycle	Intermittent
Housing Material	Polypropylene
Diaphragm Elastomer	Santoprene®
Check Valve Materials	EPDM
Check Valve Spring	316 Stainless Steel
Port Type	Quick Disconnect **
Pressure Switch Setting	35 PSI (2.4 bar) cutoff
Self Priming	Up to 6ft. (1.8m)
Liquid Temperature	110° F (43° C) Maximum
Motor Type	Permanent Magnet Motor
Motor Voltage	12 VDC, 24 VDC
Current for 12 VDC	2.5 Amps @ 25 PSI (1.7 Bar)
Certifications	CSA, CE*

**Reference datasheet PN#81000-230 for additional fittings

Dimensional Drawing Dimensions in inches [mm]



Models

Part No.	Volts (DC)	GPM (LPM)	Pressure Switch PSI (Bar)	Port Fittings	Certifications
42630-2992-P	12	1.0 (3.78)	35 (2.4)	Quick Disconnect - 3/8" HB Straight, 3/8" x 1/2" adapter	CE, ISO 8846
42630-2994-P	24	1.0 (3.78)	35 (2.4)	Quick Disconnect - 3/8" HB Straight, 3/8" x 1/2" adapter	CE, ISO 8846
42630-3992-P	12	1.0 (3.78)	35 (2.4)	John Guest type 1/4" to snap fit port (pump), 3/8" npt male to John Guest 1/4"	CE, ISO 8846
42630-3994-P	24	1.0 (3.78)	35 (2.4)	John Guest type 1/4" to snap fit port (pump), 3/8" npt male to John Guest 1/4"	CE, ISO 8846

* Models 42630-3992-P and 42630-3994-P both come with the faucet, 20' tubing, John Guest type port fittings(pump) and a John Guest type tank fitting(3/8" MNPT)

xylem
Let's Solve Water

Xylem, Inc.
USA
17942 Cowan
Irvine, CA 92614
Tel +1.949.608.3900
Fax +1.949.609.3887

Xylem, Inc.
ENGLAND
Bingley Road, Hoddesdon
Hertfordshire EN11 0BU
Tel: +44 (0) 1992 450145
Fax: +44 (0) 1992 467132

Xylem, Inc.
CHINA
30/F Tower A
100 Zunyi Road
Shanghai, China 200051
Tel: +86-21-2208-2888
Fax: +86-21-2208-2999

Xylem, Inc.
GERMANY
Oststrasse 28
22844 Norderstedt
Tel: +49-40-53 53 73-0
Fax: +49-40-53 53 73-11

Xylem, Inc.
ITALY
Via Tommaseo, 6
20059 Vimercate, Milano
Tel: +39 039 685 2323
Fax: +39 039 666 307