



## Model 37010-Series

### ELECTRIC MARINE TOILET

#### Push Button Operation

#### FEATURES

- White Vitreous China Bowl Available in Two Sizes
- Baked enamel seat & cover - soft close seat option available on regular bowl models
- Flexible Impeller Flush Pump
- Permanent Magnet Type Motor, Fully Enclosed, with Stainless Steel Shaft
- High Capacity Waste Macerator and Bowl discharge Pump
- Built-in Back Flow Preventer
- Corrosion resistant material for marine use

#### VARIATIONS

| MODEL NUMBER | DESCRIPTION                           |
|--------------|---------------------------------------|
| 37010-3092   | Compact Bowl 12V                      |
| 37010-3094   | Compact Bowl 24V                      |
| 37010-4092   | Regular Bowl 12V                      |
| 37010-4192   | Regular Bowl 12V, Soft Close Seat/Lid |
| 37010-4094   | Regular Bowl 24V                      |
| 37010-4194   | Regular Bowl 24V, Soft Close Seat/Lid |

#### INSTALLATION

The Jabsco electric toilet may be installed above or below the waterline. Flush pump is self-priming with a vertical lift up to 4 feet; discharge macerator pump can operate against a vertical head up to 4 feet (1.2m).

Inlet and outlet seacocks should be easily accessible and be positive shut off valves. If seacocks cannot be conveniently operated from toilet location, install suitable shut off valves for inlet and discharge connections.

Base assembly may be moved 90° to accommodate connections and provide accessibility for servicing.

Surface where toilet is mounted should be flat to prevent distortion of toilet base.

**PLUMBING CONNECTIONS** - Connect inlet hose using 3/4" (19mm) ID hose. Make sure all inlet connections are airtight and free of sharp bends or restrictions.

Connect 1" (25mm) or 1-1/2" (38mm) hose to discharge hose to discharge port (Adaptor 98023-0080 is included to convert discharge port to 1-1/2" ID hose), and make suitable connection to holding tank or other discharge system. Avoid sharp bends or restrictions. For above waterline installations, a check valve may have to be installed in the flush water intake line to ensure rapid pump priming. To retain water in bowl, make a loop in the discharge line about 8 inches (200mm) above base of bowl.



Model 37010-Series

|  |  |
|--|--|
|  | <b>WARNING</b> Flood hazard. If toilet is installed below the waterline or may be below the waterline at any angle of heel or trim, it must be installed with properly positioned vented loops. Failure to do so can result in flooding which can cause loss of property and life. |
|--|--|

**CAUTION** Do not connect the toilet to the vessels potable water for its source of supply. To do so can result in contamination of potable water supply. If fresh water is preferred for flushing, provide a separate fresh water tank to supply water to the toilet only.

**DO NOT CONNECT INLET HOSE TO A PRESSURIZED WATER SYSTEM.**

If the toilet is, or can be, below waterline at any normal (including static) attitude of vessel heel and/or trim, a 3/4" (19mm) Vented Loop Fitting must be installed in the length of hose connecting the flushing pump to the inlet seacock. The Vented Loop Fitting must be positioned so it remains at least 8" (200mm)\* above the waterline at all angles of heel and trim. In some installations when a vented loop is installed in the intake hose, the flushing pump primeability and flow characteristics are reduced and may adversely affect toilet function. To restore pump performance, connect a solenoid valve (Jabsco No. 37068-2000) to the vent air inlet to interrupt the air supply during the flush cycle. The brass port of the solenoid valve (remove plastic filter if attached) should be connected to the vent inlet with 3/16" hose and the solenoid wired in parallel with the toilet motor. See diagram below.

**ELECTRICAL CONNECTIONS** - Select a location for the switch and instruction plate, making sure wire leads from both the toilet and power source can be routed to the switch. Ensure the panel where installing switch is no more than 1" thick. Drill a 5/8" mounting hole and install switch and instruction plate. Use stranded copper wire of the correct size (determined from the electrical specifications chart) to connect one side of the switch to the positive power source. An appropriate size fuse or equivalent circuit breaker (determined from electrical specifications chart) must be installed in the positive power lead within seven inches of the power source. Connect the other side of the switch to the orange (positive) motor lead. Connect the black (negative) motor lead to the negative side of the battery or grounded buss bar.

**NOTICE:** Correct motor polarity (orange to positive, black to negative) is important. Reverse polarity can damage motor and void warranty. Full voltage at the motor is required to properly operate the Electric Toilet. The toilet must be wired in a circuit independent of all other accessories.

### ELECTRICAL SPECIFICATIONS

| VOLTAGE | AMP DRAW | FUSE SIZE | WIRE SIZE PER FEET OF RUN* |         |         |         |         |
|---------|----------|-----------|----------------------------|---------|---------|---------|---------|
|         |          |           | 0'-10'                     | 10'-15' | 15'-25' | 25'-40' | 40'-60' |
| 12 Vdc  | 16       | 25        | #12                        | #10     | #10     | #8      | #6      |
| 24 Vdc  | 8        | 15        | #16                        | #14     | #12     | #10     | #10     |

\* Length of run is total distance from power source to product and back to ground.

### OPERATING INSTRUCTIONS

Make sure inlet and outlet seacocks are all open; push button to operate. Operate until bowl is completely flushed and discharge pump has scavenged water from bottom of bowl.

The Jabsco electric marine toilet will provide years of troublefree service if properly used. It will handle waste and toilet tissue. It will NOT handle rags, sanitary napkins or hard solid objects.


If bowl does not pump out and begins to fill, partially close inlet valve until bowl is cleared and completely pumped out. Then operate for a few seconds with both valves open to clear entire toilet and discharge system. For maximum safety, when toilet is not in use or vessel is unattended, close both the inlet and discharge seacocks.

To drain for winter lay-up, close inlet valve and operate for a few seconds until all water is pumped out.

After long periods of non-use, toilet and pump may dry out. To ease initial start-up, put about one quart of water in bowl and let stand awhile before initial use.

### DISASSEMBLY

**⚠ WARNING** **Flood hazard. Close inlet and outlet seacocks prior to disassembling toilet. Failure to do so can result in flooding which can cause loss of property and life.**



Disconnect pumping inlet and discharge hoses. Remove four screws, Key No. 25, pull out complete motor, pump and macerator assembly. If assembly does not slide out

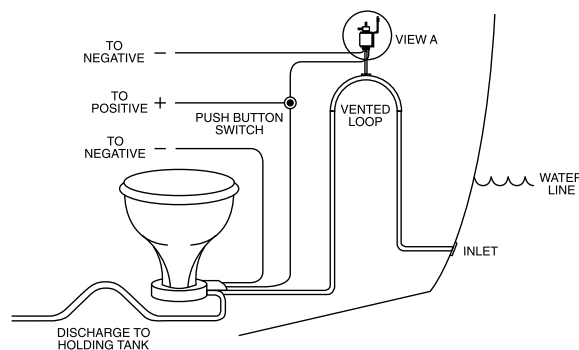
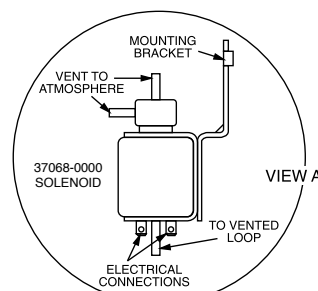
easily, push forward and pull back sharply several times to free macerator housing from base.

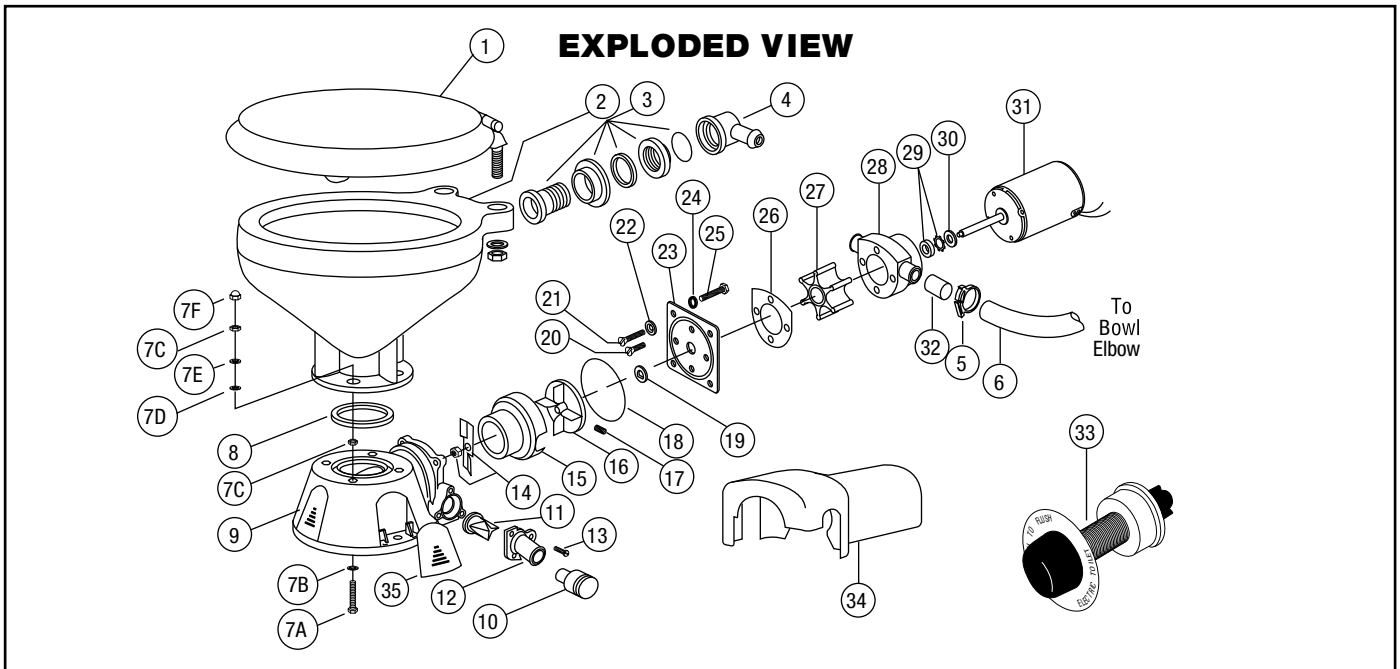
Remove discharge port, Key No. 12, and joker valve. Unscrew chopper plate, Key No. 14, by turning counter-clockwise, facing plate. Prevent shaft from turning by placing screwdriver in discharge port and locking centrifugal impeller blade. Remove macerator housing. Loosen impeller set screw and slide impeller off motor shaft.

Remove four flathead screws and two washers, Key Nos. 20, 21, & 22. Remove the plastic wearplate, Key No. 23, with sealing sleeve, Key No. 19, and gasket, Key No. 26. Slide pump assembly off motor shaft. Replace all worn or damaged parts, clean remaining parts.

### ASSEMBLY

Press seal into body with lip facing impeller; be careful not to cock seal in bore. Install pump body on motor and position on register. Lubricate impeller bore with pump grease and install impeller. Position the gasket against the body and install the wearplate ensuring the two plastic sealing washers are under the heads of the top and bottom screws. **NOTE:** The current plastic wearplate supercedes the earlier brass wearplate and with it the stainless steel wearplate is no longer used. Slide the rubber sealing sleeve on the motor shaft and push it into its recess in the wearplate. Relocate centrifugal impeller on shaft, about 1/8" from the wearplate, and tighten set screw. Place macerator housing over shaft and centrifugal impeller, put lock washer on end of shaft and screw chopper plate on shaft and tighten. Install O-ring in O-ring groove in wearplate surface, a little grease will help hold in place, make sure inside body surfaces are clean, line up slot in base with key on macerator housing, slide pump assembly into base and tighten with the four screws. Turn motor on for one or two seconds to be sure centrifugal impeller is free.

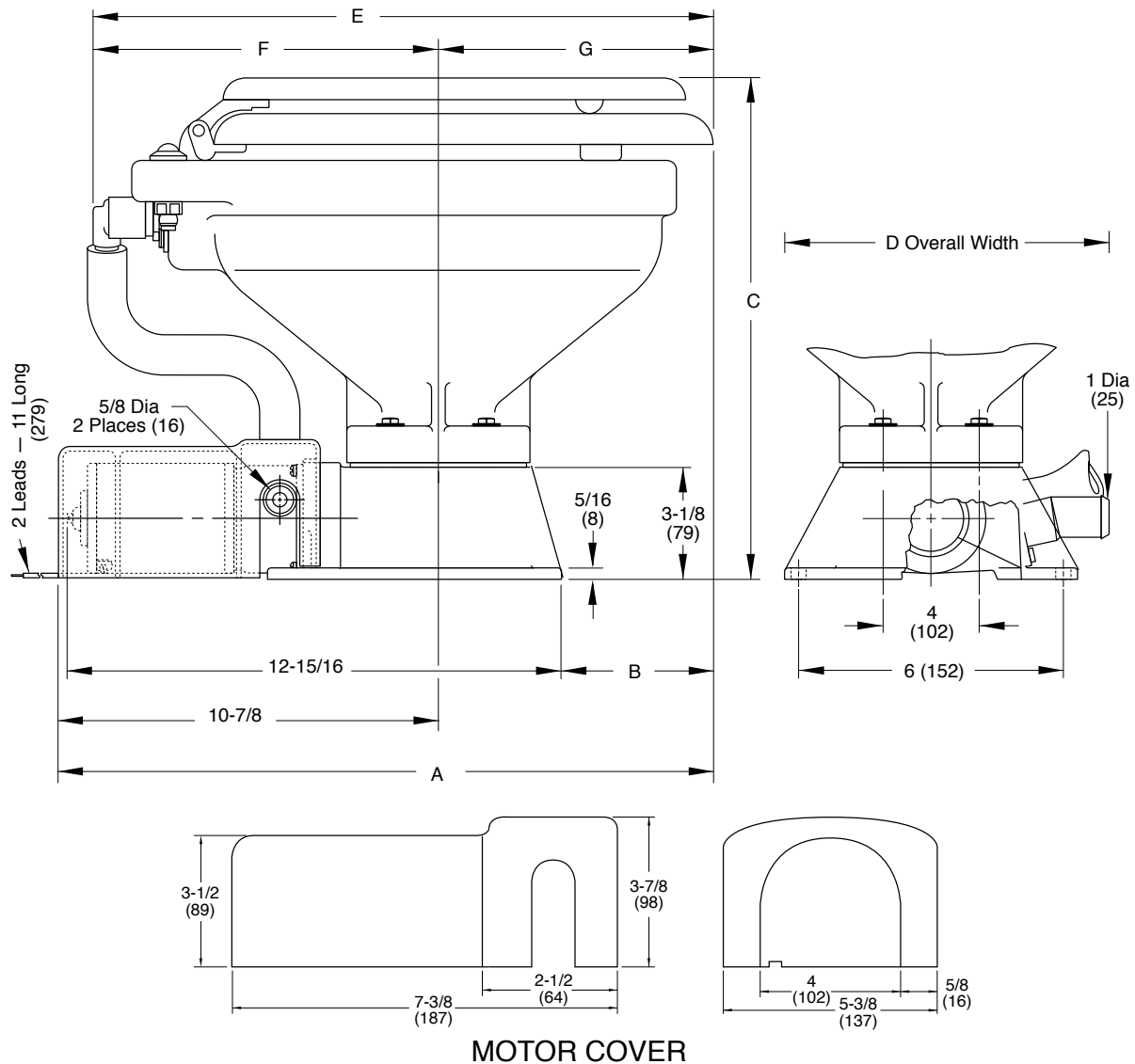




## PARTS LIST

| Key  | Description                       | Qty. Req. | Part Number | Key        | Description  | Qty. Req. | Part Number |
|--|-----------------------------------|-----------|-------------|------------|--|-----------|-------------|
| 1  | Seat & Cover                      |           |             | 22         | Washer, Fiber*†  | 2         | 35445-0000  |
| Note - 2018 models identified with Jabsco logo on top of bowl. |                                   |           |             | 23         | Wearplate Kit ‡†   | 1         | 37018-0000  |
|  | Compact                           | 1         | 29097-1000  | 24         | Lock Washer #10, Stainless Kit †                                     | 4         |             |
|  | Regular (Pre 2018)                | 1         | 29127-1000  | 25         | Screw †  | 4         | 91027-0011  |
|  | Regular (2018 onwards)            | 1         | 58104-1000  | 26         | Gasket*†   | 1         | 12558-0000  |
|  | Soft Close (2018 onwards)         | 1         | 58104-2000  | 27         | Flexible Impeller*†  | 1         | 6303-0003   |
| 2  | Bowl                              |           |             | 28         | Body †   | 1         | 12554-0000  |
|  | Compact                           | 1         | 29096-1000  | 29         | Seal & Retainer*†  | 1         | 1040-0000   |
|  | Regular                           | 1         | 29126-1000  | 30         | Slinger †  | 1         | 6342-0000   |
| 3.   | Hinge Set (1 PAIR)                |           |             | 31         | Motors:  |           |             |
|  | Compact (ALL VARIANT)             | 1         | 29098-1000  |            | Motor - 12 Volt†   | 1         | 37064-0000  |
|  | Regular (Pre 2018)                | 1         | 29098-2000  |            | Motor - 24 Volt †  | 1         | 37065-0000  |
|  | Regular (2018 onwards)            | 1         | 58105-1000  | 32         | Adaptor  | 2         | 93003-0240  |
|  | Soft Close (2018 onwards)         | 1         | 58105-2000  | 33         | Switch & Plate   | 1         | 37020-0000  |
| 3 & 4  | Bowl Spud & Intake Elbow & O-ring | 1         | 29048-0000  | 34         | Motor Cover  | 1         | 43990-0051  |
| 5  | Clamp                             | 1         | 18753-0044  | 35         | Screw Cover (3 each)   | 1         | 37003-1000  |
| 6  | Hose                              | 1         | 29035-0001  |            | Service Kit  |           | 37040-0000  |
| 7  | Bowl Installation Hardware        | 1         | 18753-0637  |            | Motor/Pump Assy. 12V †   |           | 37041-0010  |
| 7A   | Phillips Head Screw**             | 4         |             |            | Motor/Pump Assy. 24V †   |           | 37042-0011  |
| 7B   | Washer, Starlock**                | 4         |             | *          | Parts Supplied with Service Kit 37040-0000.                          |           |             |
| 7C   | Hex Nut** (two places)            | 4         |             | **         | Parts included with base 37004-1000.                                 |           |             |
| 7D   | Washer, Plastic**                 | 4         |             | ‡          | Wearplate #23 includes Sealing Sleeve #19 and Pump/ Base O-ring #18. |           |             |
| 7E   | Washer Stainless steel**          | 8         |             | †          | Parts included in Motor-Pump Assembly.                               |           |             |
| 7F   | Nut Cap**                         | 4         |             |            |  |           |             |
| 8  | O-Ring Bowl/Seal                  | 1         | 44101-1000  |            |  |           |             |
| 9  | Base Assembly**                   | 1         | 37004-1000  |            |  |           |             |
| 10   | 1-1/2" Adaptor, Discharge Port    | 1         | 98023-0080  |            |  |           |             |
| 11   | Joker Valve* **                   | 1         |             |            |  |           |             |
| 12   | 1" Discharge Port**               | 1         | 44107-1300  |            |  |           |             |
| 13   | Screw**                           | 3         |             |            |  |           |             |
| 14   | Chopper Plate† with Lock Nut      | 1         |             | 37056-1000 |  |           |             |
| 15   | Macerator Housing †               | 1         | 37014-0000  |            |  |           |             |
| 16   | Centrifugal Impeller †            | 1         | 37006-0000  |            |  |           |             |
| 17   | Set Screw †                       | 1         | 18753-0492  |            |  |           |             |
| 18   | O-ring*†                          | 1         | 43990-0066  |            |  |           |             |
| 19   | Sealing Sleeve †                  | 1         | 37036-1000  |            |  |           |             |
| 20   | Screw †                           | 2         | 91009-0096  |            |  |           |             |
| 21   | Screw †                           | 2         | 91010-0130  |            |  |           |             |

**DIMENSIONAL DRAWING**  
INCHES (MILLIMETRES)



**MOTOR COVER**

|                     | <b>A</b>     | <b>B</b>    | <b>C</b>     | <b>D</b>     | <b>E</b>     | <b>F</b>     | <b>G</b>    |
|---------------------|--------------|-------------|--------------|--------------|--------------|--------------|-------------|
| COMPACT SIZE BOWL   | 17-6/8 (451) | 3-2/8 (83)  | 14 (355)     | 13-7/8 (352) | 16-3/8 (415) | 9-7/8 (250)  | 6-7/8 (175) |
| HOUSEHOLD SIZE BOWL | 19-1/8 (486) | 4-2/8 (108) | 14-3/8 (365) | 14-3/4 (375) | 18-7/8 (480) | 10-5/8 (270) | 8-2/8 (210) |

XYLEM LIMITED WARRANTY WARRANTS THIS PRODUCT TO BE FREE OF DEFECTS AND WORKMANSHIP FOR A PERIOD OF (X) YEARS. THE WARRANTY IS EXCLUSIVE AND IN LIEU OF ANY AND ALL OTHER EXPRESS OR IMPLIED WARRANTIES, GUARANTEES, CONDITIONS OR TERMS OF WHATEVER NATURE RELATING TO THE GOODS PROVIDED HEREUNDER, INCLUDING WITHOUT LIMITATION ANY IMPLIED WARRANTIES OF MERCHANTABILITY AND FITNESS FOR A PARTICULAR PURPOSE, WHICH ARE HEREBY EXPRESSLY DISCLAIMED AND EXCLUDED. EXCEPT AS OTHERWISE PROVIDED BY LAW, BUYER'S EXCLUSIVE REMEDY AND SELLER'S AGGREGATE LIABILITY FOR BREACH OF ANY OF THE FOREGOING WARRANTIES ARE LIMITED TO REPAIRING OR REPLACING THE PRODUCT AND SHALL IN ALL CASES BE LIMITED TO THE AMOUNT PAID BY THE BUYER HEREUNDER. IN NO EVENT IS SELLER LIABLE FOR ANY OTHER FORM OF DAMAGES, WHETHER DIRECT, INDIRECT, LIQUIDATED, INCIDENTAL, CONSEQUENTIAL, PUNITIVE, EXEMPLARY OR SPECIAL DAMAGES, INCLUDING BUT NOT LIMITED TO LOSS OF PROFIT, LOSS OF ANTICIPATED SAVINGS OR REVENUE, LOSS OF INCOME, LOSS OF BUSINESS, LOSS OF PRODUCTION, LOSS OF OPPORTUNITY OR LOSS OF REPUTATION. THIS WARRANTY IS ONLY A REPRESENTATION OF THE COMPLETE LIMITED WARRANTY. FOR A DETAILED EXPLANATION, PLEASE VISIT US AT [www.xylemflowcontrol.com/support/](http://www.xylemflowcontrol.com/support/), CALL OUR OFFICE NUMBER LISTED, OR WRITE A LETTER TO YOUR REGIONAL OFFICE.

**xylem**  
Let's Solve Water

[www.xyleminc.com](http://www.xyleminc.com)

**UK**  
**Xylem**  
Bingley Road, Hoddesdon  
Hertfordshire EN11 0BU  
Tel: +44 (0) 1992 450145  
Fax: +44 (0) 1992 467132

**USA**  
**Xylem**  
100 Cummings Center Drive  
Suite 535-N, Beverly, MA 01915  
Tel: +1 978 281-0440  
Fax: +1 978 283-2619

**ITALY**  
**Xylem**  
Via Tommaseo, 6  
20059 Vimercate, Milano  
Tel: +39 039 685 2323  
Fax: +39 039 666 307

**GERMANY**  
**Xylem**  
Oststrasse 28  
22844 Norderstedt  
Tel: +49-40-53 53 73-0  
Fax: +49-40-53 53 73-11

**JAPAN**  
**Xylem**  
3-21-10, Shin-Yokohama  
Kohoku-Ku, Yokohama, 222-0033  
Tel: +81-045-475-8906  
Fax: +81-045-477-1162

**Warranty:** All products of the company are sold, and all services of the company are offered subject to the company's warranty and terms of sale, copies of which will be furnished upon request. Details correct at time of printing. We reserve the right to change specifications without prior notice.